



CASTLE PUMPS LTD

Your process delivered.

The UK Agent of...
azcuepumps



Datasheet

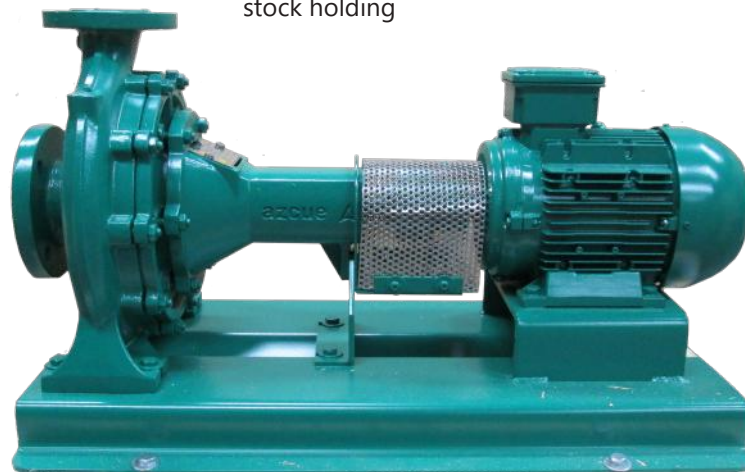
Pump **manufactured in Spain** with materials from own foundry

Can be supplied with a vacuum or electric **priming pump on request** for difficult suction conditions

Separate shafts in pump head and motor - no need to replace entire pump and motor if the shaft wears

Optional double mechanical seal cooling systems, allowing the handling of fluids up to 190°C

Interchangeable spare parts with other Azcue models to reduce stock holding



Back pull out design for easy maintenance - allows the internals to be removed without disconnecting the pump from the pipework.

Long coupled making it durable for continuous use as it has additional bearings in pump head to share strain of operation

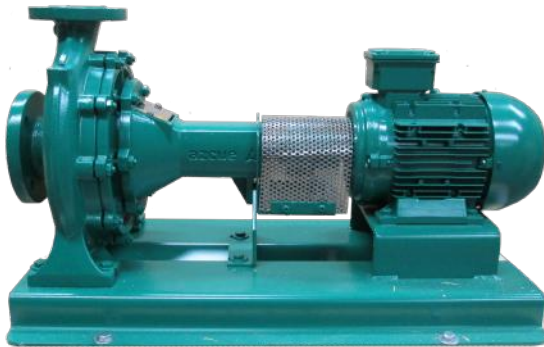
Marine type approved by all classification societies e.g. Lloyds/ABS

Wearing rings to improve pump efficiency & provide clearance between the casing & impeller, preventing their wear, meaning only the less costly wear rings need replacing

Dimensions based on **DIN 24255** for easy retrofitting to existing pipework and replacing other DIN models

Series **AN** Long Coupled Centrifugal Pump

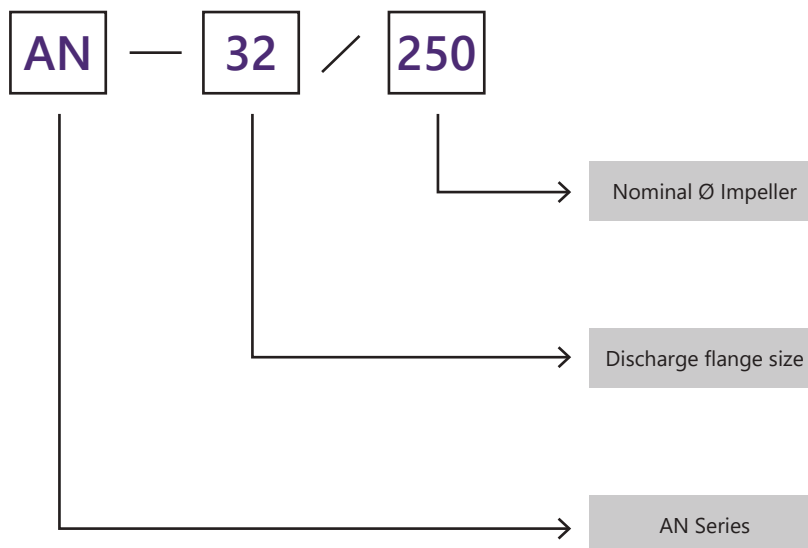
AN Long Coupled Centrifugal Pump



Performance:


Max Flow rate	700 m ³ /h
Max Pressure	100 M
Max Temperature	190°C
Sizes Available	DN32 - DN150 Outlet

Description



Long Coupled Centrifugal Pumps

Available options -

- ATEX approved 
- Long coupled on base plate
- Bare Shaft
- Supplied with priming pump for difficult suction conditions
 - » Vacuum priming - better solution for long suction distances thanks to its ability to dry run for short periods of time
 - » Electric priming pump

Common Applications -

- | | | | |
|---------------|-----------------|-----------------------|---------------------|
| • Aquaculture | • Fire Fighting | • Marine Fuel | • Thermal Oil |
| • Ballast | • Fuel Transfer | • Sea Water Cooling | • Waste Water |
| • Boiler Feed | • Fume Scrubber | • Sea Water Injection | • Water Circulating |
| • Cargo | • Grey Water | • Sea Water Service | • Water Transfer |
| • Cooling | • Irrigation | • Swimming Pool | |

Benefits -

- Manufactured in Spain by manufacturer with over 100 years' experience, using materials from their own foundry for complete control
- Marine type approved by all classification societies e.g. Lloyds/ABS for independent verification the pump meets quality standards
- Long coupled to separate the pump head from the motor, so should the seal fail fluid is prevented from entering the motor and causing damage to this part
- Durable for continuous use thanks to additional bearings in the pump head to share the strain of operation, increasingly its robustness
- Dimensions based on DIN 24255 for easy retrofitting to existing pipework and for replacing other DIN models within an installation
- Interchangeable spare parts with other Azcue models to reduce stock holding required
- Spares available for a minimum of 15 years after model discontinuation for long term servicing even if the pump is no longer produced
- Long service intervals to reduce maintenance costs – 4000-8000 hours with bearing replacement at 25,000 hours
- Version with double mechanical seal and cooling loop available for high temperature installations handling fluids up to 190°C
- Back pull out design for easy maintenance - allows the motor to be removed without disconnecting the pump
- Wearing rings to improve pump efficiency and provide clearance between the casing and impeller, preventing their wear, meaning only the less costly wear rings need replacing
- Separate shafts in pump head and motor - no need to replace entire pump and motor if shaft wears, saving costs
- ATEX approved version for hazardous environments
- Motors are tropicalized as standard for operation up to 45°C meaning the motor is designed continue operating during higher than average temperatures



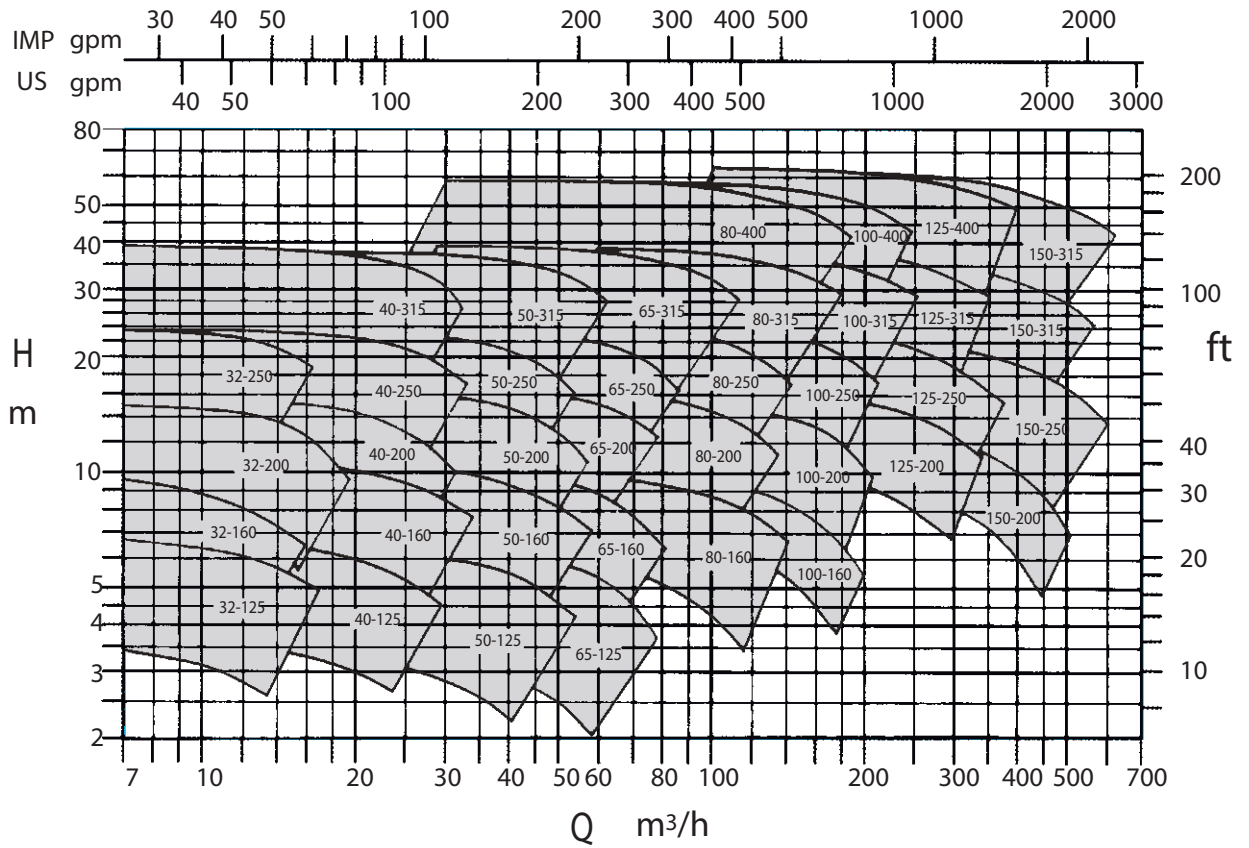
Materials

Volute	Cast iron GG25	Bronze	G-CuSn10 G-CuSn5ZnPb (Rg5) G-CuAl10Ni	Stainless Steel	X5CrNiMo18 10
Impeller	Cast iron GG25	Bronze	G-CuSn10 G-CuSn5ZnPb (Rg5) G-CuAl10Ni	Stainless Steel	X5CrNiMo18 10 Aisi-316
Shaft	Stainless Steel	Stainless steel X5CrNiMo 1810 Aisi 316			
Casing wear ring	Bronze	Cast iron GG-25		Stainless Steel	X5CrNiMo18 10 Aisi 316

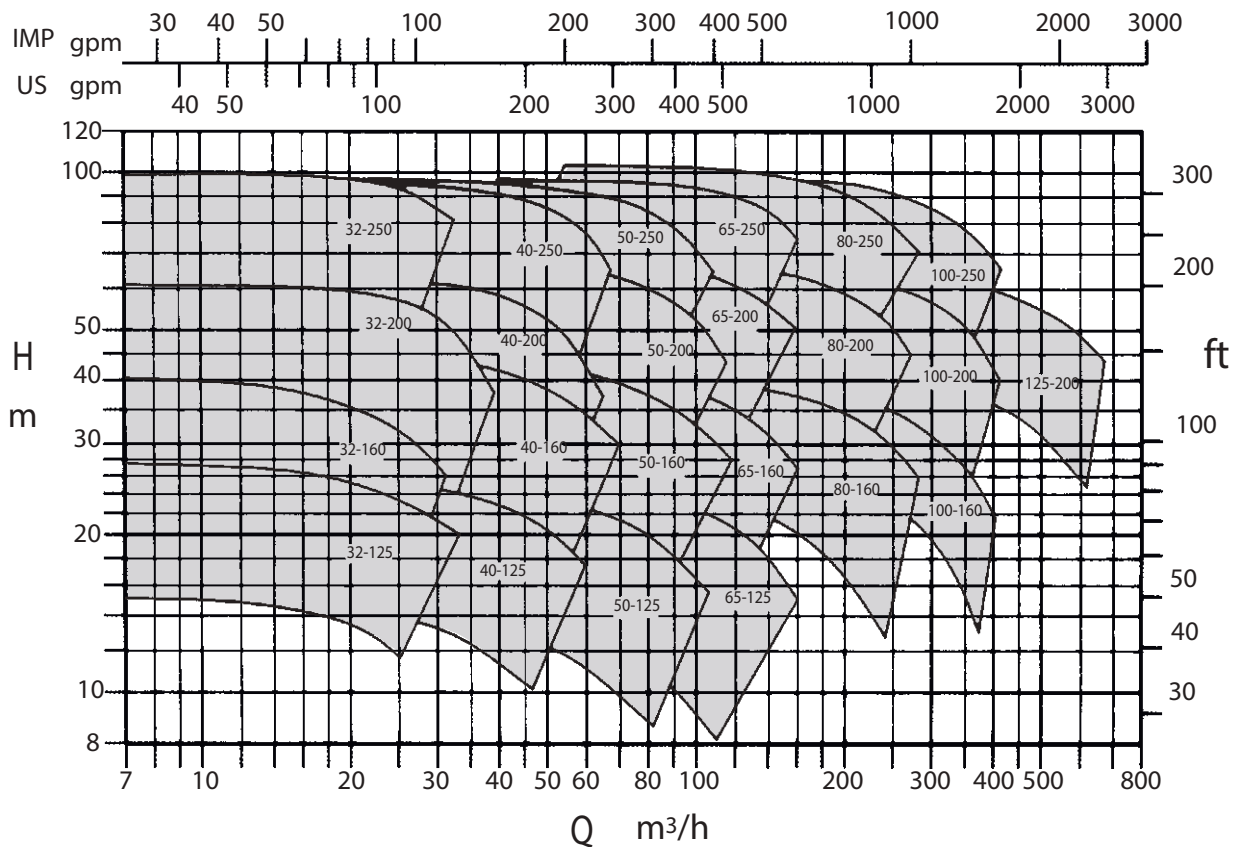


Performance Curves - 50 Hz

1.450 Min⁻¹



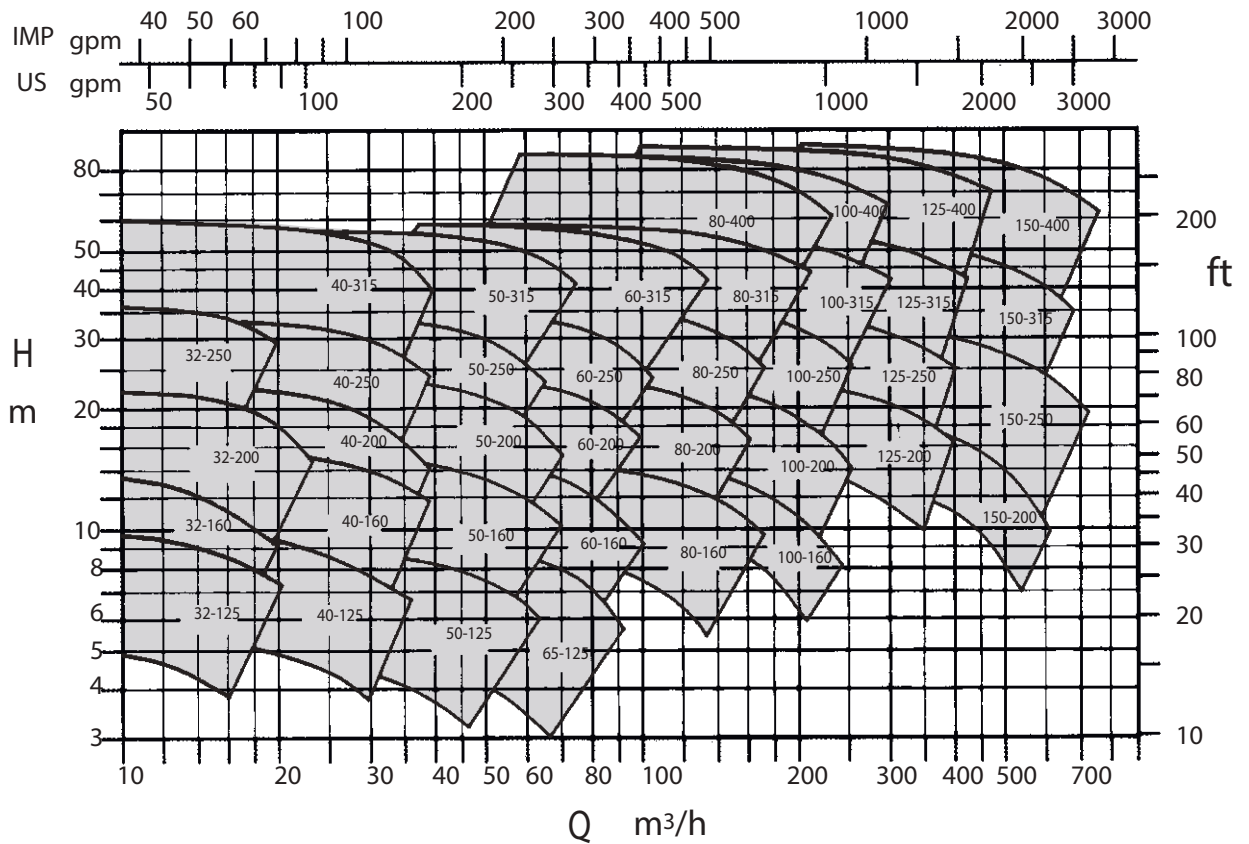
2.900 Min⁻¹



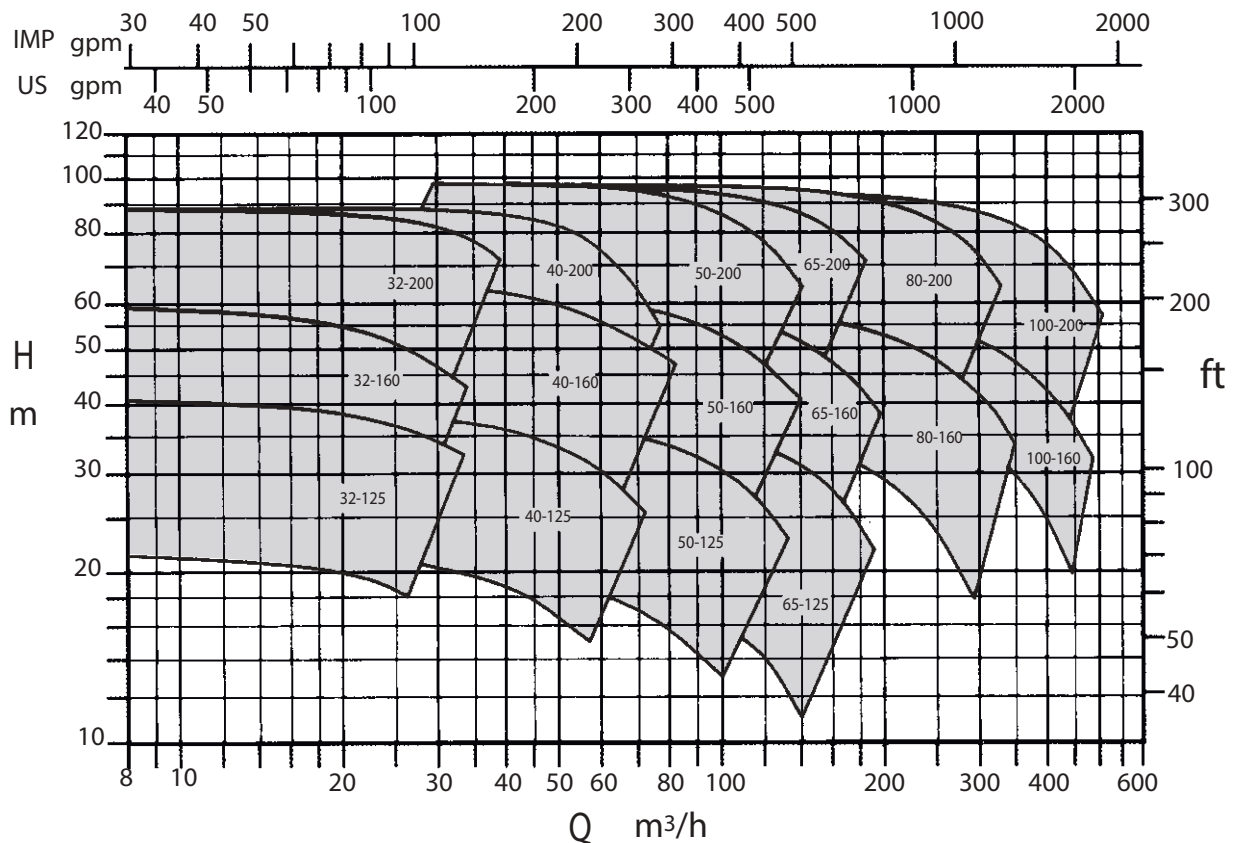


Performance Curves - 60 Hz

1.750 Min⁻¹

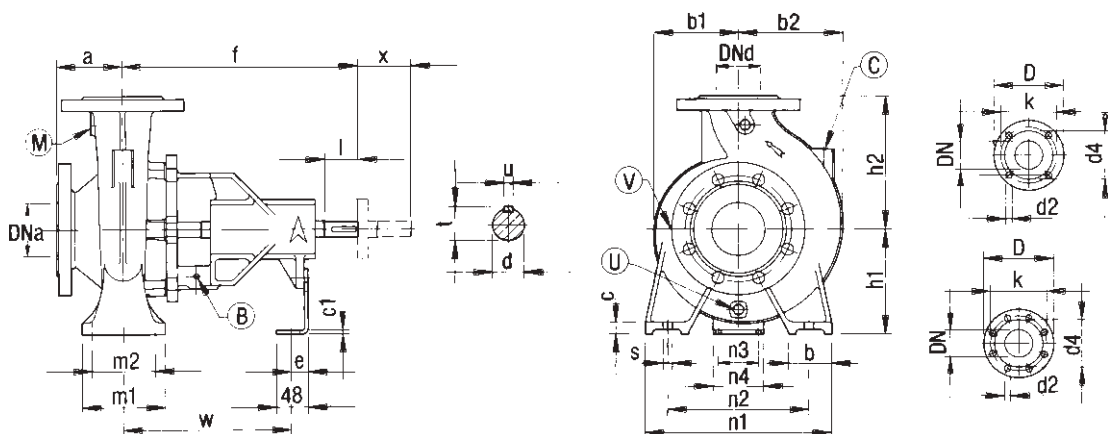


3.500 Min⁻¹



Dimensions

Bareshaft Version



M, V Pressure gauge
 U Drain
 B Leakage drain
 C Filling

DN 32, 40, 50, 65 DIN 3633, PN 16
 80, 100, 150

DN 200 DIN 2632, PN10

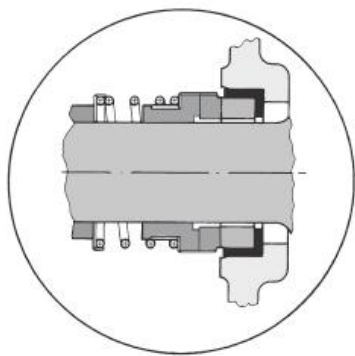
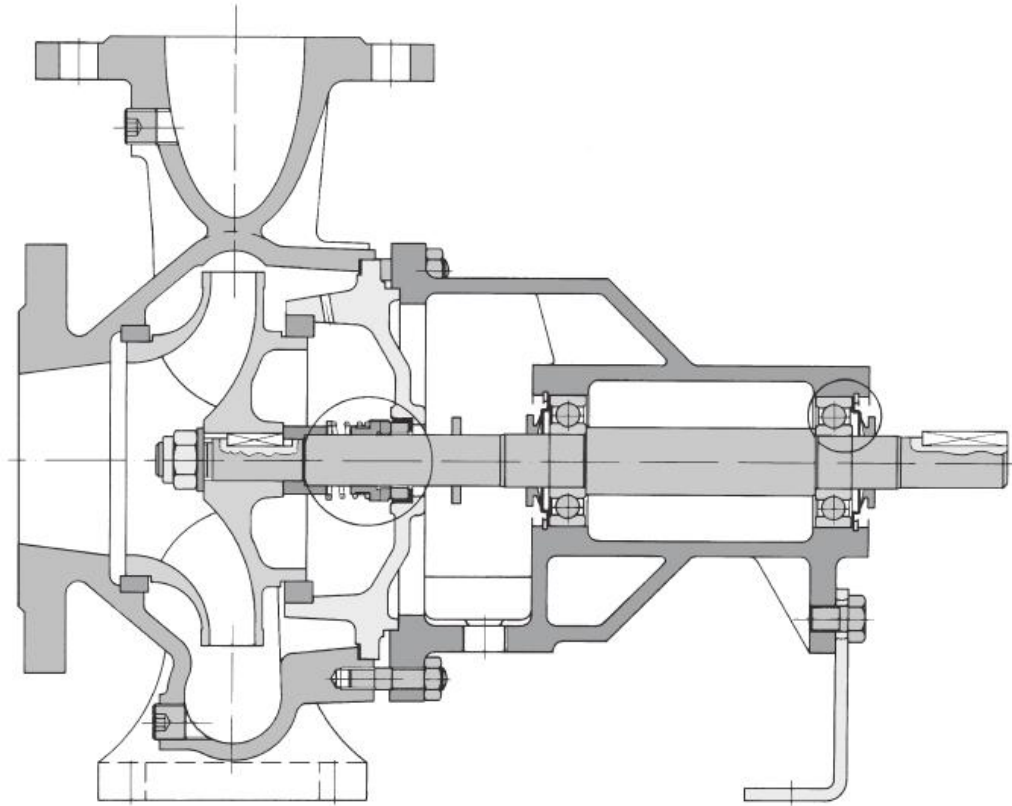
Dn	32	40	50	65	80	100	125	150	200
d4	78	88	102	122	138	158	188	212	268
K ∅	100	110	125	145	160	180	210	240	295
D ∅	140	150	165	185	200	220	250	285	340
N°	4	4	4	4	8	8	8	8	8
d2	18	18	18	18	18	18	18	22	22

Type AN	DNa	DNd	a	f	h ₁	h ₂	b	b ₁	b ₂	c	c ₁	e	m ₁	m ₂	n ₁	n ₂	n ₃	n ₄	w	s	d	l	t	u	B	U	M	V	C	
32-125					112	140		115	115	15	4	23			190	140														
32-160	50	32	80	360	132	160	50	115	125				100	70	240	190	110	160	260	14	24	50	26,9	8	G1/2	G3/8	G3/8	G3/8	G1/2	
32-200					160	180		125	145	18	6	25																		
32-250			100		180	225	65	170	175				125	95	320	250														
40-125			80	360	112	140		110	115	15	4	23			210	160														
40-160	65	40			132	160	50	110	135				100	70	240	190			260	14	24	50	26,9	8	G1/2	G3/8	G3/8	G3/8	G1/2	
40-200			100		160	180		140	155	18	6	25			265	212	110	160												
40-250			125	470	180	225	65	165	180				125	95	320	250														
40-315					225	250		195	205				24		345	280			340		32	80	35,3	10						
50-125					132	160		115	130			4	23		240	190														
50-160	65	50	100	360	160	180	50	120	150	18	6	25			265	212			260	14	24	50	26,9	8	G1/2	G3/8	G3/8	G3/8	G1/2	
50-200					200			140	170								110	160												
50-250			125	470	180	225	65	170	185				125	95	320	250														
50-315					225	280		200	215				24		345	280			340		32	80	35,3	10						
65-125					160	180		120	150	18	6	25	125	95	280	212			260	14	24	50	26,9	8	G1/2	G3/8	G3/8	G3/8	G1/2	
65-160	80	65	100	360	160	200	65	130	155						320	250	110	160												
65-200					180	225		155	180																					
65-250			125	470	200	250	80	180	200				24	160	120	360	280			340	19	32	80	35,3	10					
65-315					225	280		210	230				25		400	315														
80-160			360		180	225	65	140	180	18	6	25	125	95	320	250			260	14	24	50	26,9	8	G1/2	G3/8	G3/8	G3/8	G1/2	
80-200	100	80			250			160	190						345	280				14										
80-250			125	470	200	280		185	210				160	120	400	315	110	160	340		32	80	35,3	10	G1/2	G3/8	G3/8	G3/8	G1/2	
80-315					250	315	80	220	245				25								19									
80-400			530		280	355	100	255	275				25		435	355			370		42	110	45,1	12						
100-160					180	225				18	6	25			360	280														
100-200	125	100	125	470	200	280	80	175	215				24	160	120					340	19	32	80	35,3	10	G1/2	G1/2	G1/2	G1/2	G1/2
100-250					225			190	220						400	315														
100-315			140		250	315		225	255				25	200	150	500	400			370	24	42	110	45,1	12					
100-400			530		280	355	100	255	280	20			25	200	150	500	400			370	24	42	110	45,1	12					
125-200	150	125	140	470	250	315	80	195	245				24	160	120	400	315			340	19	32	80	35,3	10	G1/2	G1/2	G1/2	G1/2	G1/2
125-250					355			225	275				25	200	150	500	400													
125-315			530		280	355	100	235	275				25	200	150	500	400			370	24	42	110	45,1	12					
125-400			530		315	400		275	305				25	200	150	500	400			370	24	42	110	45,1	12					
150-200	200	150	160	470	280	400	100	240	315				24							340		32	80	35,3	10	G1/2	G1/2	G1/2	G1/2	G1/2
150-250					315			230	300				25	200	150	550	450	110	160		24									
150-315			530		315	450		255	305				25	200	150	550	450			370		42	110	45,1	12					
150-400			530		315	450		285	325				25	200	150	550	450			370		42	110	45,1	12					

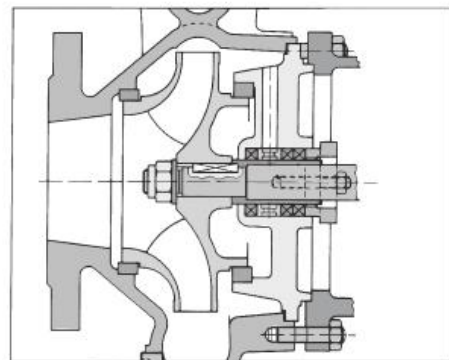
Subject to alterations

Sectional Drawing

Bareshaft Version



Mechanical Seal Detail



Stuffing Box Version