



YK 1" Internal Eccentric Gear Pump



Performance:

Flow rate	3 m ³ /h
Pressure	1 - 14 bar
Temperature	0 - 200 °C
Speed	1400 d/d
Viscosity	100 - 250000 SSU

Technical Features:

- ✓ Internal eccentric gear pump
- ✓ 1" threaded ports
- ✓ Compact design
- ✓ Reliable construction thanks to only two moving parts
- ✓ Various material options
- ✓ Available with external bypass, jacketed and blind cover
- ✓ 230v, three phase 50/60hz motors available
- ✓ Motor and gearbox drive available
- ✓ Manufactured according to CE regulations

Applications:

- ✓ Fuel oil, diesel fuel and gas oil transfer
- ✓ Small scale thermal oil applications including Marlotherm, Duratherm, Paratherm, Multitherm, Mobiltherm and Dowtherm
- ✓ Lubrication applications
- ✓ Coolant transfer
- ✓ Any transfer of low to medium viscosity fluids with lubricating properties
- ✓ Not suitable for fluids containing abrasive particles

Material Options:

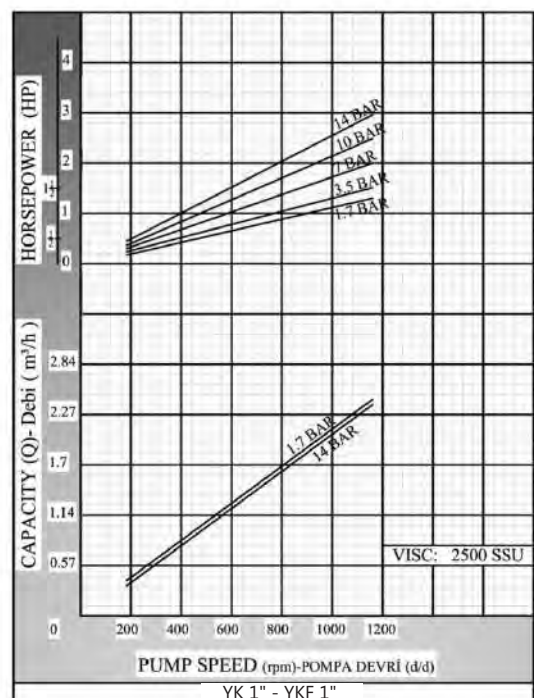
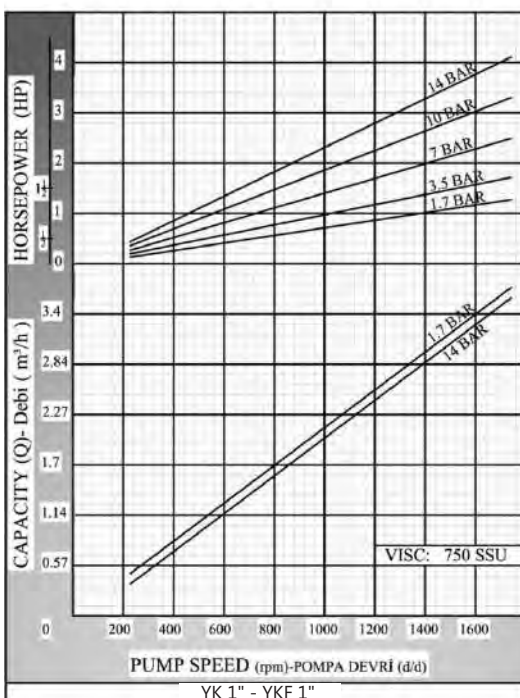
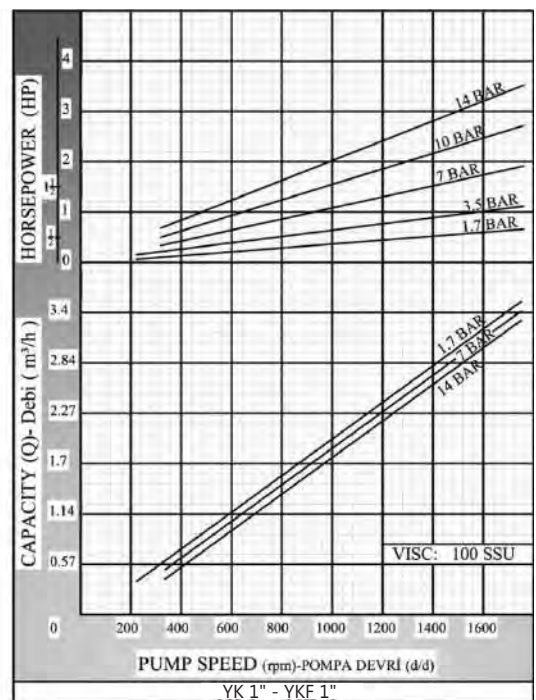
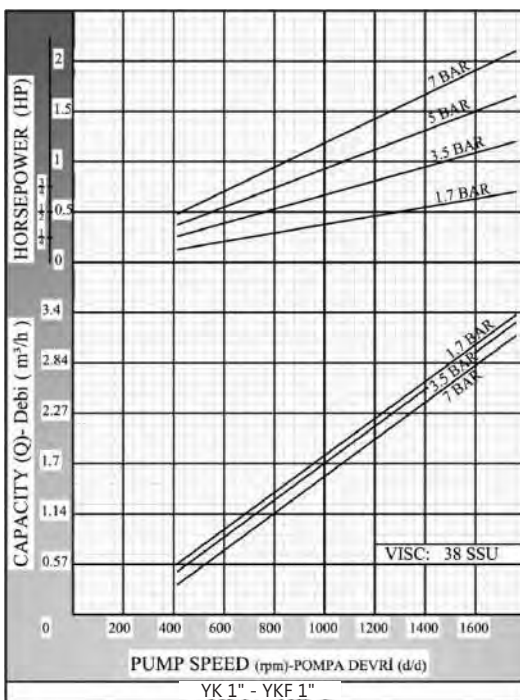
- ✓ Pump body, covers: Pig cast iron, Spheroidal cast iron, cast steel, AISI 304/316 CrNi Stainless Steel
- ✓ Gears: Spheroidal cast iron, cast steel, AISI 304/316 CrNi Stainless Steel
- ✓ Bearings: Snbz 12 bronze, carbon graphite, silicon carbide, hard metal coated steel, bearing
- ✓ Sealing: Soft seal or packing gland, Rotatherm seal, lip seal, mechanical seal, cartridge type mechanical seal

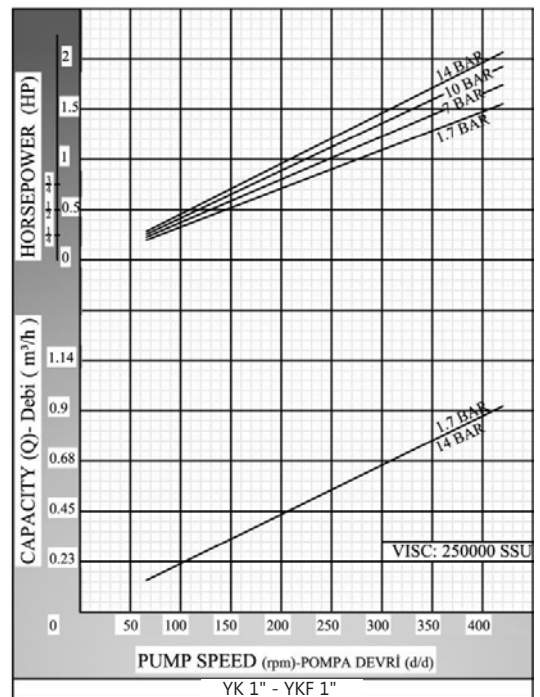
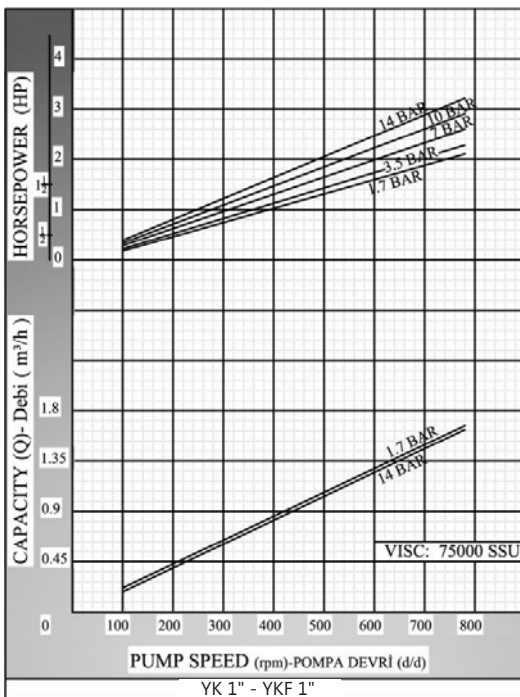
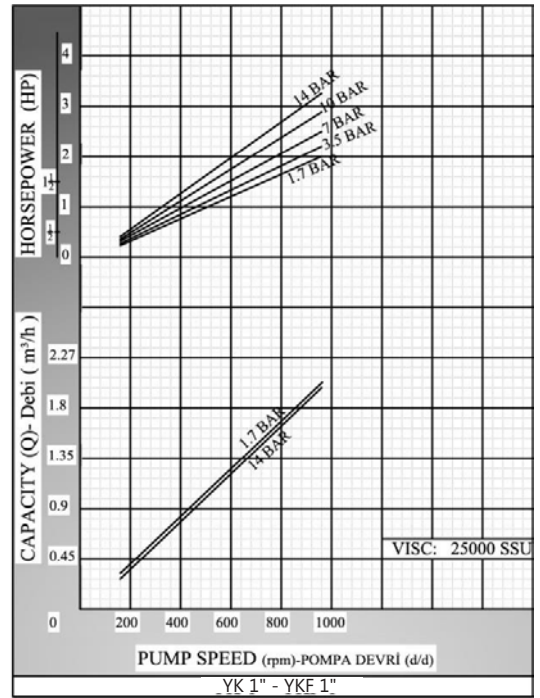
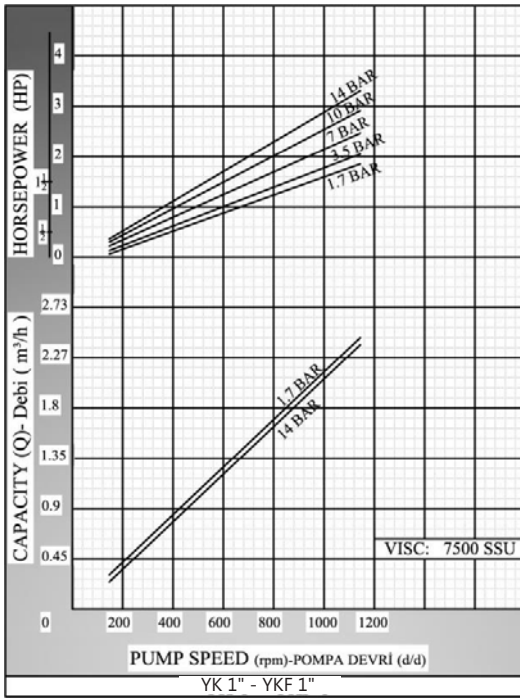
Capacity & Power Table						
Capacity (Q)	Speed (rpm)	Pressure				Viscosity
		2.5 Bar	5 Bar	7.5 Bar	10 Bar	
0.100	60	0.5 HP	0.5 HP	0.75 HP	0.75 HP	75000 SSU
0.150	80	0.5 HP	0.75 HP	1 HP	1 HP	25000 SSU
0.180	100	0.75 HP	0.75 HP	1 HP	1 HP	25000 SSU
1.8	900	0.75 HP	1 HP	1.5 HP	2 HP	750 SSU
3	1400	1 HP	1.5 HP	2 HP	3 HP	100 SSU

Motor Powers		Motor Powers		Motor Powers	
1 HP	1400 d/d (rpm)	1 HP	900 d/d (rpm)	1.5 HP	750 d/d (rpm)
0.75 HP	900 d/d (rpm)	1.5 HP	900 d/d (rpm)	2 HP	900 d/d (rpm)
Motor Body		1.5 HP	1400 d/d (rpm)	3 HP	1400 d/d (rpm)
80		2 HP	1400 d/d (rpm)	Motor Body	
		Motor Body		100	
		90			



Pump Dimensions - Capacity Graphs:

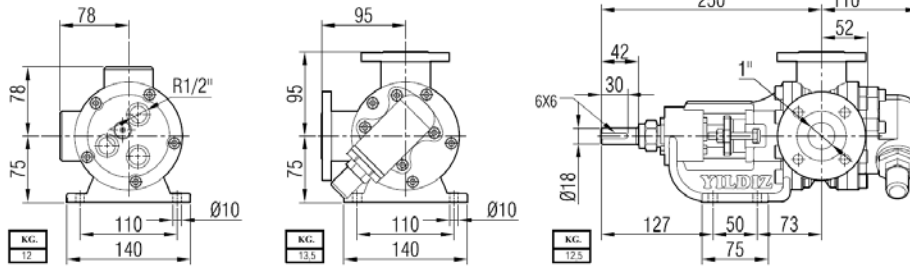




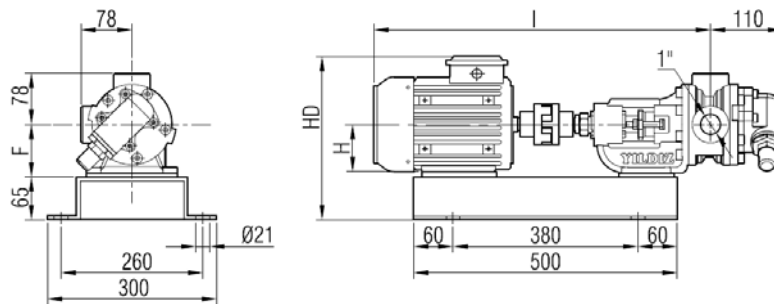
Pump Dimensions:

YK 1"

YKF 1"

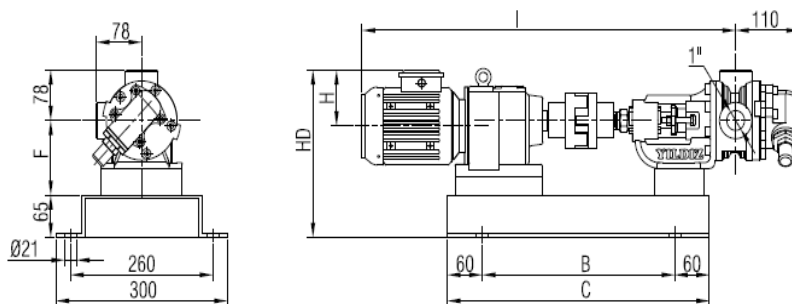


Coupling Dimensions - Motor drive:



Motor Power & Speed		I	HD	H	F	Kg	
0.5-0.75 hp / 0.37-0.55 kw	900 d/d (rpm)	MOTOR 80	542	263	80	31	32
0.75-1 hp / 0.55-0.75 kw	1400 d/d (rpm)					30	31
1 hp / 0.75 kw	900 d/d (rpm)	MOTOR 90S	575	281	90	37	
1.5 hp / 1.1 kw	1400 d/d (rpm)					38	
1.5 hp / 1.1 kw	900 d/d (rpm)	MOTOR 90L	627			40	
2 hp / 1.5 kw	1400 d/d (rpm)					40	
1.5 hp / 1.1 kw	750 d/d (rpm)	MOTOR 100L	681	300	100	45	
2 hp / 1.5 kw	900 d/d (rpm)					45	
3-4 hp / 2.2-3 kw	1400 d/d (rpm)					43	47

Dimensions - Gearbox drive:



Motor Power & Speed		I	HD	H	B	C	F	Kg
1 hp / 0.75 kw	90/400 d/d (rpm)	IRAM42/80M	681	254	118	300	420	39
1.5 hp / 1.1 kw	200/400 d/d (rpm)	IRAM42/90S	700	132	43			
1 hp / 0.75 kw	40/240 d/d (rpm)	IRAM53/80M	714	118	380	500	90	46
1.5 hp / 1.1 kw	60/382 d/d (rpm)	IRAM53/90S	733	282				132



Spare Parts List - Sealed with soft seal, and pressure relief valve on cover:



No.	Part Name.	Qty.	No.	Part Name.	Qty.	No.	Part Name.	Qty.
1	Coupling Key 6x6x30 AB	1	13	Bracket Gasket	1	25	Valve	1
2	Lock Nut	1	14	Casing (w /90° Threaded Ports)	1	26	Spring	1
3	Spacer	1	15	Casing (w/ 90° Flanged Ports)	1	27	Washer	1
4	Adjusting Nut	2	16	Cover Gasket	1	28	Bypass Cover	1
5	Ball Bearing (3204-2RS)	1	17	Rotor Gear	1	29	Cap O-Ring	1
6	Shaft	1	18	Idler Gear	1	30	Nut M8	3
7	Packing Press	1	19	Idler Gear Bushing	1	31	Adjusting Screw M8x55	1
8	Soft Seal / Packing Gland	1 TK	20	Cover Pin	1	32	Cap	1
9	Bracket Bushing	1	21	Cover (w/ Bypass Inlets)	1	33	Hex Bolt M8x50	2
10	Rotor Key 6x6x20 A	1	22	Bypass Gasket	1	34	Grub Screw M8x16	4
11	Inbus Bolt M8x25	17	23	Pressure Relief Valve - Bypass	1			
12	Bracket	1	24	Bypass O-Ring	1			

Spare Parts List - Sealed with soft seal, jacketed, and with blind cover:



No.	Part Name.	Qty.	No.	Part Name.	Qty.	No.	Part Name.	Qty.
1	Coupling Key 6x6x30 AB	1	10	Rotor Key 6x6x20 A	1	19	Idler Gear Bushing	1
2	Lock Nut	1	11	Inbus Bolt M8x25	13	20	Cover Pin	1
				Inbus Bolt M8x30 For Cover w/Heating Jacket	5			
3	Spacer	1	12	Bracket	1	21	Blind Cover	1
4	Adjusting Nut	2	13	Bracket Gasket	1	22	Cover (w/ Heating Jacket)	1
5	Ball Bearing (3204-2RS)	1	14	Casing (w/ 90° Threaded Ports)	1	23	Hex Bolt M8x50	2
6	Shaft	1	15	Casing (w/ 90° Flanged Ports)	1	24	Nut M8	2
7	Packing Press	1	16	Cover Gasket	1	25	Grub Screw M8x16	4
8	Soft Seal / Packing Gland	1 TK	17	Rotor Gear	1			
9	Bracket Bushing	1	18	Idler Gear	1			

Spare Parts List - Sealed with mechanical seal, and pressure relief valve on cover:



No.	Part Name.	Qty.	No.	Part Name.	Qty.	No.	Part Name.	Qty.
1	Coupling Key 6x6x30 AB	1	13	Bracket	1	25	Bypass O-Ring	1
2	Lock Nut	1	14	Bracket Gasket	1	26	Valve	1
3	Spacer	1	15	Casing (w /90° Threaded Ports)	1	27	Spring	1
4	Adjusting Nut	2	16	Casing (w/ 90° Flanged Ports)	1	28	Washer	1
5	Ball Bearing (3204-2RS)	1	17	Cover Gasket	1	29	Bypass Cover	1
6	Internal Circlip (ø37)	2	18	Rotor Gear	1	30	Cap O-Ring	1
7	Lip Seal ø25xø37x7	1	19	Idler Gear	1	31	Nut M8	1
8	Ball Bearing (61805T-2RS)	2	20	Idler Gear Bushing	1	32	Adjusting Screw M8x55	1
9	Shaft	1	21	Cover Pin	1	33	Cap	1
10	Mechanical Seal Ø25	1	22	Cover (w/ Bypass Inlets)	1	34	Grub Screw M8x16	4
11	Rotor Key 6x6x20 A	1	23	Bypass Gasket	1			
12	Inbus Bolt M8x25	17	24	Pressure Relief Valve - Bypass	1			

Spare Parts List - Sealed with mechanical seal, jacketed, and with blind cover:



No.	Part Name.	Qty.	No.	Part Name.	Qty.	No.	Part Name.	Qty.
1	Coupling Key 6x6x30 AB	1	9	Shaft	1	17	Cover Gasket	1
2	Lock Nut	1	10	Mechanical Seal Ø25	1	18	Rotor Gear	1
3	Spacer	1	11	Rotor Key 6x6x20 A	1	19	Idler Gear	1
4	Adjusting Nut	2	12	Hex Socket M8x25	13	20	Idler Bushing	1
				Hex Socket M8x30 For Cover w/ Heating Jacket	5			
5	Ball Bearing (3204-2RS)	1	13	Bracket	1	21	Cover Pin	1
6	Internal Circlip (ø37)	2	14	Bracket Gasket	1	22	Blind Cover	1
7	Lip Seal ø25xø37x7	1	15	Casing (w/ 90° Threaded Ports)	1	23	Cover (w/ Heating Jacket)	1
8	Ball Bearing (61805T-2RS)	2	16	Casing (w/ 90° Flanged Ports)	1	24	Grub Screw M8x16	4

Spare Parts List - Sealed with lip seal, jacketed and with blind cover:



No.	Part Name.	Qty.	No.	Part Name.	Qty.	No.	Part Name.	Qty.
1	Coupling Key 6x6x30 AB	1	9	Shaft	1	17	Rotor Gear	1
2	Lock Nut	1	10	Rotor Key 6x6x20 A	1	18	Idler Gear	1
3	Spacer	1	11	Inbus Bolt M8x25	13	19	Idler Bushing	1
				Inbus Bolt M8x30 For Cover w/ Heating Jacket	5			
4	Adjusting Nut	2	12	Bracket	1	20	Cover Pin	1
5	Ball Bearing (3204-2RS)	1	13	Bracket Gasket	1	21	Blind Cover	1
6	Internal Circlip (ø37)	1	14	Casing (w/ 90° Threaded Ports)	1	22	Cover (w/ Heating Jacket)	1
7	Lip Seal ø25xø37x7	2	15	Casing (w/ 90° Flanged Ports)	1	23	Grub Screw M8x16	4
8	Bracket Bushing	1	16	Cover Gasket	1			



YK 1½" Internal Eccentric Gear Pump



Performance:

Flow rate	5.7 m³/h
Pressure	1 - 14 bar
Temperature	0 - 200 °C
Speed	1400 d/d
Viscosity	100 - 250000 SSU

Technical Features:

- ✓ Internal eccentric gear pump
- ✓ 1½" threaded ports
- ✓ Compact design
- ✓ Reliable construction thanks to only two moving parts
- ✓ Various material options
- ✓ Available with external bypass, jacketed and blind cover
- ✓ 230v, three phase 50/60hz motors available
- ✓ Motor and gearbox drive available
- ✓ Manufactured according to CE regulations

Applications:

- ✓ Fuel oil, diesel fuel and gas oil transfer
- ✓ Small scale thermal oil applications including Marlotherm, Duratherm, Paratherm, Multitherm, Mobiltherm and Dowtherm
- ✓ Lubrication applications
- ✓ Coolant transfer
- ✓ Any transfer of low to medium viscosity fluids with lubricating properties
- ✓ Not suitable for fluids containing abrasive particles

Material Options:

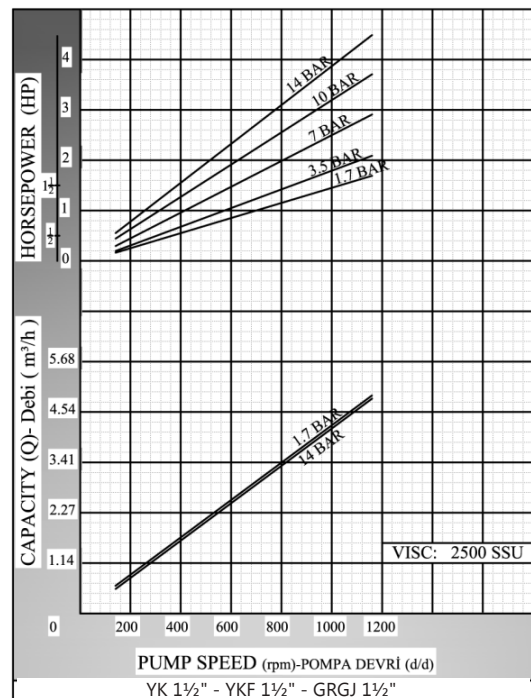
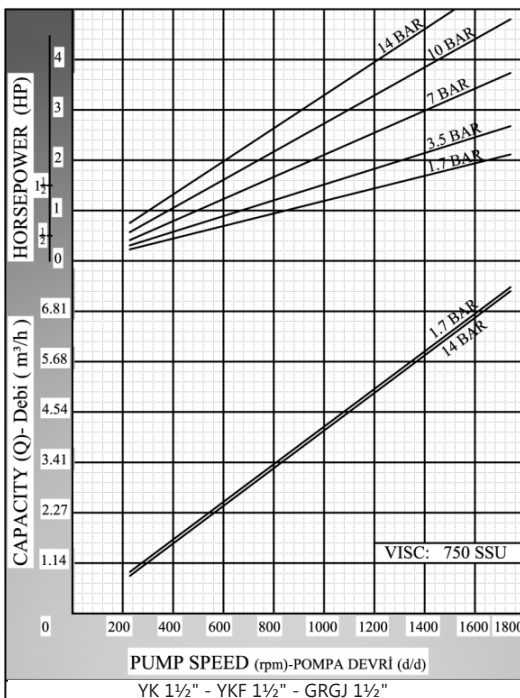
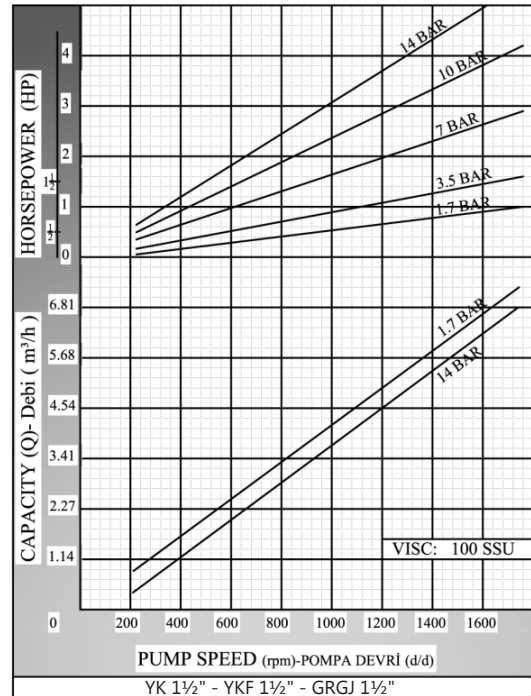
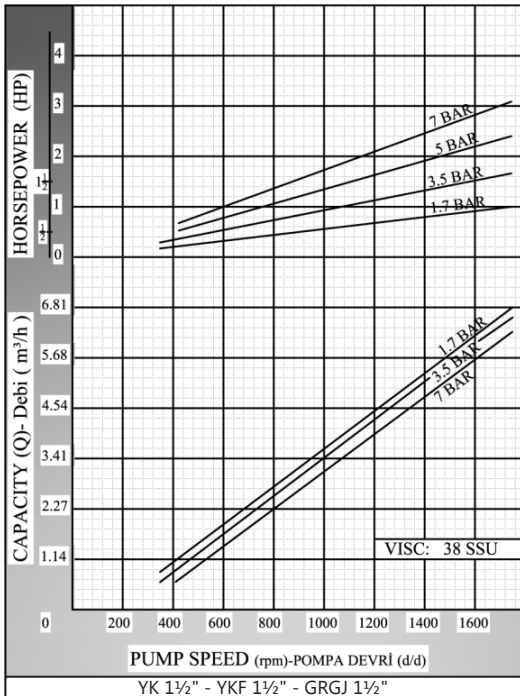
- ✓ Pump body, covers: Pig cast iron, Spheroidal cast iron, cast steel, AISI 304/316 CrNi Stainless Steel
- ✓ Gears: Spheroidal cast iron, cast steel, AISI 304/316 CrNi Stainless Steel
- ✓ Bearings: Snbz 12 bronze, carbon graphite, silicon carbide, hard metal coated steel, bearing
- ✓ Sealing: Soft seal or packing gland, Rotatherm seal, lip seal, mechanical seal, cartridge type mechanical seal

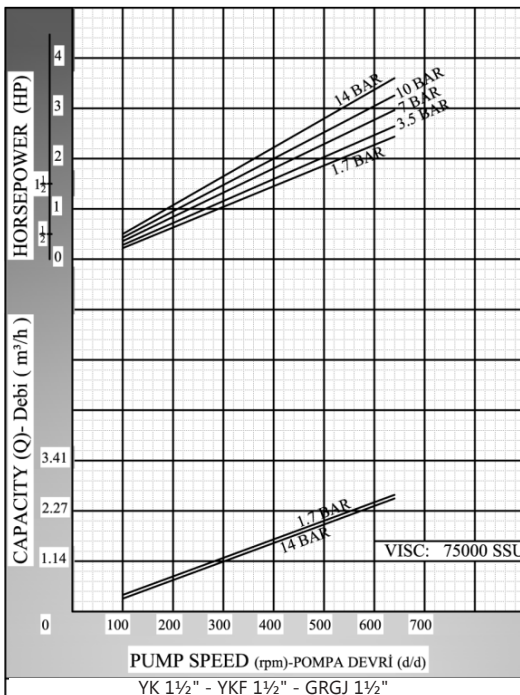
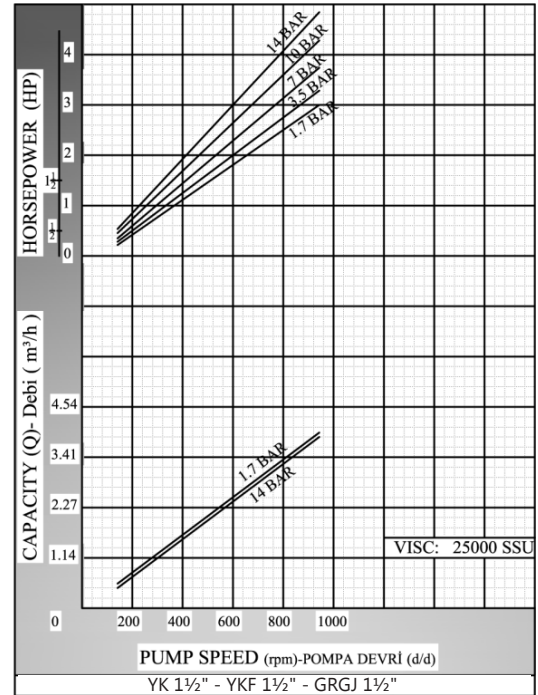
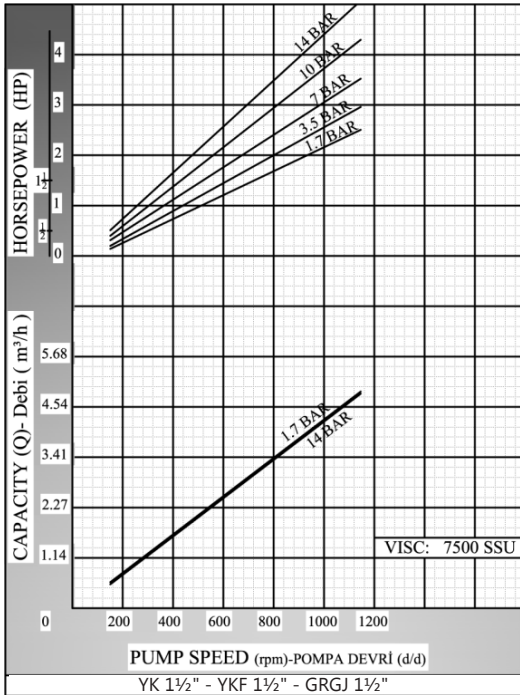
Capacity & Power Table						
Capacity (Q)	Speed (rpm)	Pressure				Viscosity
		3 Bar	6 Bar	9 Bar	12 Bar	
0.200	60	0.5 HP	0.5 HP	0.75 HP	0.75 HP	75000 SSU
0.250	80	0.5 HP	0.75 HP	1 HP	1 HP	25000 SSU
0.300	100	0.75 HP	1 HP	1 HP	1 HP	25000 SSU
3.7	900	1.5 HP	2 HP	3 HP	4 HP	750 SSU
5.7	1400	2 HP	3 HP	4 HP	5.5 HP	100 SSU

Motor Powers		Motor Powers		Motor Powers	
1 HP	900 d/d (rpm)	1.5 HP	750 d/d (rpm)	2 HP	750 d/d (rpm)
1.5 HP	900 d/d (rpm)	2 HP	900 d/d (rpm)	3 HP	900 d/d (rpm)
1.5 HP	1400 d/d (rpm)	3 HP	1400 d/d (rpm)	5.5 HP	1400 d/d (rpm)
2 HP	1400 d/d (rpm)	4 HP	1400 d/d (rpm)	Motor Body	
Motor Body		Motor Body		112	
90		100			

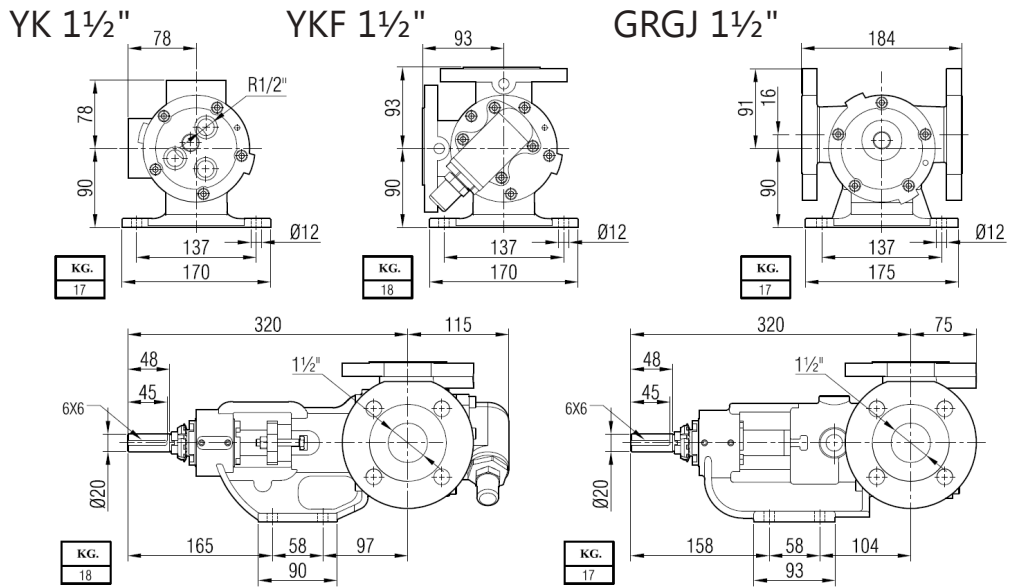


Pump Dimensions - Capacity Graphs:

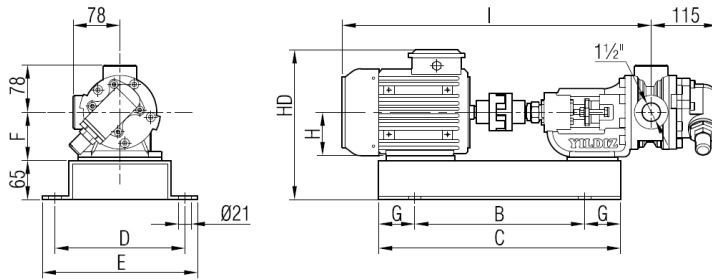




Pump Dimensions:



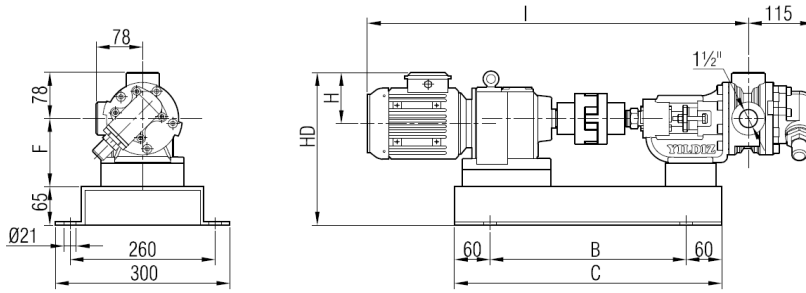
Coupling Dimensions - Motor drive:



Motor Power & Speed			I	HD	H	B	C	D	E	F	G	Kg
1 hp / 0.75 kw	900 d/d (rpm)	MOTOR 90S	648	281	90	380	500			90		37
1.5 hp / 1.1 kw	1400 d/d (rpm)											37
1.5 hp / 1.1 kw	900 d/d (rpm)	MOTOR 90L	700					260	300		60	39
2 hp / 1.5 kw	1400 d/d (rpm)											39
1.5 hp / 1.1 kw	750 d/d (rpm)	MOTOR 100L	746	300	100	430	550			100		47
2 hp / 1.5 kw	900 d/d (rpm)											47
3-4 hp / 2.2-3 kw	1400 d/d (rpm)	MOTOR 112M	761	323	112	420	620	310	350	112	100	46
2 hp / 1.5 kw	750 d/d (rpm)											50
3 hp / 2.2 kw	900 d/d (rpm)											64
5.5 hp / 4 kw	1400 d/d (rpm)											64
												65



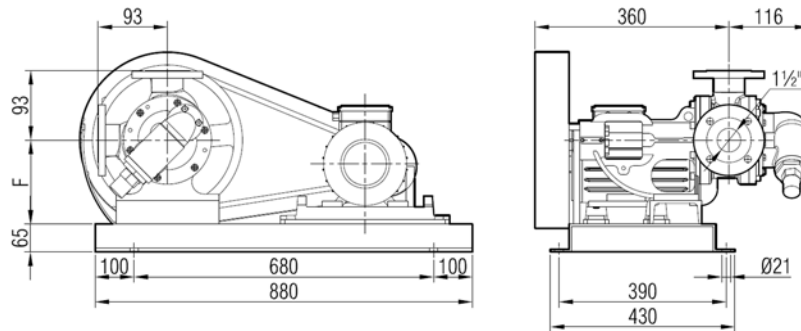
Dimensions - Gearbox drive:



Motor Power & Speed			I	HD	H	B	C	F	Kg	
1 hp / 0.75 kw	90/400 d/d (rpm)	IRAM42/80M	761	269	118	350	470		42	
1.5 hp / 1.1 kw	200/400 d/d (rpm)	IRAM42/90S	780	283	132				46	
1 hp / 0.75 kw	40/240 d/d (rpm)	IRAM53/80M	788	267	118	380	500	90	51	
1.5 hp / 1.1 kw	60/382 d/d (rpm)	IRAM53/90S	806	282	132				54	
2 hp / 1.5 kw	87/540 d/d (rpm)	IRAM52/90L	831						55	
3-4 hp / 2.2-3 kw	300/540 d/d (rpm)	IRAM52/100L	860	291	141	430	550	115	59	62
5.5 hp / 4 kw	87/540 d/d (rpm)	IRAM62/112M	953	318	149				80	



Belt Pulley Coupling Pump Dimensions:



Motor Power & Speed		Pump Speeds				F ₍₁₎	F ₍₂₎	F ₍₃₎	F ₍₄₎	Kg
		N1 d/d	N2 d/d	N3 d/d	N4 d/d					
3 hp / 2.2 kw	MOTOR 100L	450	400	350	310	150	190	200	200	90
4 hp / 3 kw	MOTOR 100L									95
5.5 hp / 4 kw	MOTOR 112M									105
7.5 hp / 5.5 kw	MOTOR 132S									115
10 hp / 7.5 kw	MOTOR 132M									125



Spare Parts List - Sealed with soft seal, and pressure relief valve on cover:



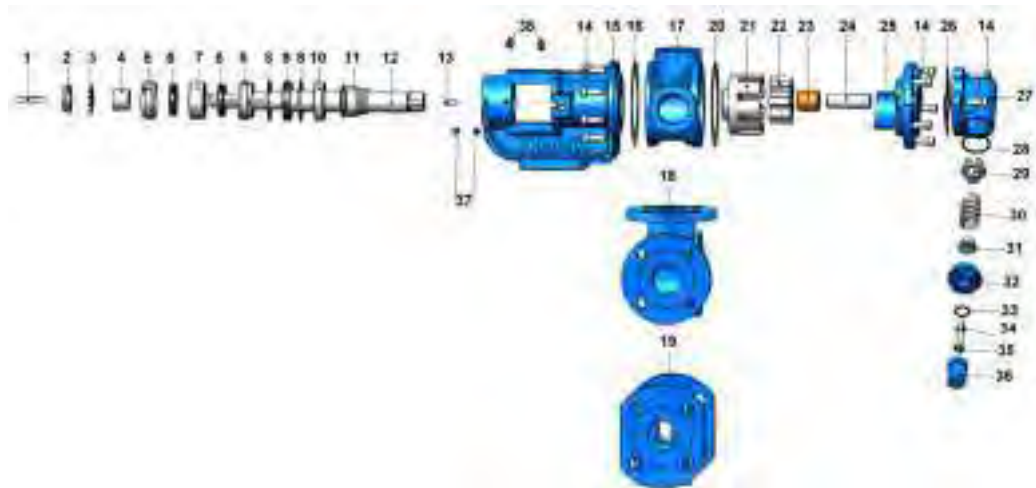
No.	Part Name.	Qty.	No.	Part Name.	Qty.	No.	Part Name.	Qty.
1	Coupling Key 6x6x45 AB	1	14	Bracket	1	27	Bypass O-Ring	1
2	Lock Nut	1	15	Bracket Gasket	1	28	Valve	1
3	Lock Washer	1	16	Casing (w/ 90° Threaded Points)	1	29	Spring	1
4	Spacer	1	17	Casing (w/ 90° Flanged Points)	1	30	Washer	1
5	Adjusting Nut	2	18	Casing (w/ 180° Flanged Points)	1	31	Bypass Cover	1
6			19	Cover Gasket	1	32	Cap O-Ring	1
7	Ball Bearing (3205-2RS)	1	20	Rotor Gear	1	33	Nut M8	3
8	Packing Press	1	21	Idler Gear	1	34	Adjusting Screw M8x55	1
9	Soft Seal / Packing Gland	1 TK	22	Idler Bushing	1	35	Cap	1
10	Bracket Bushing	1	23	Cover Pin	1	36	Hex Bolt M8x50	2
11	Shaft	1	24	Cover (w/ Bypass Inlets)	1	37	Grub Screw M8x16	4
12	Rotor Gear 6x6x20 A	1	25	Bypass Gasket	1			
13	Inbus Bolt M8x25	17	26	Pressure Relief Valve - Bypass	1			

Spare Parts List - Sealed with soft seal, jacketed, and with blind cover:



No.	Part Name.	Qty.	No.	Part Name.	Qty.	No.	Part Name.	Qty.
1	Coupling Key 6x6x45 AB	1	11	Shaft	1	21	Idler Gear	1
2	Lock Nut	1	12	Rotor Gear 6x6x20 A	1	22	Idler Bushing	1
3	Lock Washer	1	13	Inbus Bolt M8x25	13	23	Cover Pin	1
				Hex Socket M8x30 For Cover w/ Heating Jacket	5			
4	Spacer	1	14	Bracket	1	24	Blind Cover	1
5	Adjusting Nut	2	15	Bracket Gasket	1	25	Cover (w/ Heating Jackets)	1
6			16	Casing (w/ 90° Threaded Ports)	1	26	Hex Bolt M8x50	2
7	Ball Bearing (3205-2RS)	1	17	Casing (w/ 90° Flanged Ports)	1	27	Nut M8	2
8	Packing Press	1	18	Casing (w/ 180° Flanged Ports)	1	28	Grub screw M8x16	4
9	Soft Seal / Packing Gland	1 TK	19	Cover Gasket	1			
10	Bracket Bushing	1	20	Rotor Gear	1			

Spare Parts List - Sealed with mechanical seal, and pressure relief valve on cover:



No.	Part Name.	Qty.	No.	Part Name.	Qty.	No.	Part Name.	Qty.
1	Coupling Key 6x6x45 AB	1	14	Inbus Bolt M8x25	17	27	Pressure Relief Valve - Bypass	1
2	Lock Nut	1	15	Bracket	1	28	Bypass O-Ring	1
3	Lock Washer	1	16	Bracket Gasket	1	29	Valve	1
4	Spacer	1	17	Casing (w/ 90° Threaded Points)	1	30	Spring	1
5	Adjusting Nut	2	18	Casing (w/ 90° Flanged Points)	1	31	Washer	1
6			19	Casing (w/ 180° Flanged Points)	1	32	Bypass Cover	1
7	Ball Bearing (3205-2RS)	1	20	Cover Gasket	1	33	Cap O-Ring	1
8	Internal Circlip (ø55)	2	21	Rotor Gear	1	34	Nut M8	1
9	Lip Seal ø30xø55x10	1	22	Idler Gear	1	35	Adjusting Screw M8x55	1
10	Ball Bearing (6006)	1	23	Idler Bushing	1	36	Cap	1
11	Mechanical Seal Ø30	1	24	Cover Pin	1	37	Grub Screw M8x16	4
12	Shaft	1	25	Cover (w/ Bypass Inlets)	1			
13	Rotor Key 6x6x20 A	1	26	Bypass Gasket	1			

Spare Parts List - Sealed with mechanical seal, jacketed, and with blind cover:



No.	Part Name.	Qty.	No.	Part Name.	Qty.	No.	Part Name.	Qty.
1	Coupling Key 6x6x45 AB	1	11	Mechanical Seal Ø30	1	21	Rotor Gear	1
2	Lock Nut	1	12	Shaft	1	22	Idler Gear	1
3	Lock Washer	1	13	Rotor Key 6x6x20 A	1	23	Idler Bushing	1
4	Spacer	1	14	Inbus Bolt M8x25	13	24	Cover Pin	1
				Inbus Bolt M8x30 For Cover w/ Heating Jacket	5			
5	Adjusting Nut	2	15	Bracket	1	25	Blind Cover	1
6			16	Bracket Gasket	1	26	Cover (w/ Heating Jacket)	1
7	Bearing (3205-2RS)	1	17	Casing (w/ 90° Threaded Ports)	1	27	Grub Screw M8x16	4
8	Internal Circlip (ø55)	2	18	Casing (w/ 90° Flanged Ports)	1			
9	Lip Seal ø30xø55x10	1	19	Casing (w/ 180° Flanged Ports)	1			
10	Ball Bearing (6006)	1	20	Cover Gasket	1			

Spare Parts List - Sealed with lip seal, jacketed, and with blind cover:



No.	Part Name.	Qty.	No.	Part Name.	Qty.	No.	Part Name.	Qty.
1	Coupling Key 6x6x45 AB	1	11	Shaft	1	21	Idler Gear	1
2	Lock Nut	1	12	Rotor Key 6x6x20 A	1	22	Idler Bushing	1
3	Lock Washer	1	13	Inbus Bolt M8x25	13	23	Cover Pin	1
				Inbus Bolt M8x30 For Cover w/ Heating Jacket	5			
4	Spacer	1	14	Bracket	1	24	Blind Cover	1
5	Adjusting Nut	2	15	Bracket Gasket	1	25	Cover (w/ Heating Jacket)	1
6			16	Casing (w/ 90° Threaded Ports)	1	26		
7	Bearing (3205-2RS)	1	17	Casing (w/ 90° Flanged Ports)	1	27	Grub Screw M8x16	4
8	Internal Circlip (ø42)	1	18	Casing (w/ 180° Flanged Ports)	1			
9	Lip Seal ø30xø42x7	2	19	Cover Gasket	1			
10	Bracket Bushing	1	20	Rotor Gear	1			

Spare Parts List - Double jacketed, and sealed with lip seal:



No.	Part Name.	Qty.	No.	Part Name.	Qty.	No.	Part Name.	Qty.
1	Coupling Key 6x6x45 AB	1	11	Shaft	1	21	Idler Gear	1
2	Lock Nut	1	12	Rotor Key 6x6x20 A	1	22	Idler Bushing	1
3	Lock Washer	1	13	Inbus Bolt M8x25	13	23	Cover Pin	1
				Inbus Bolt M8x30 For Cover w/ Heating Jacket	5			
4	Spacer	1	14	Bracket Jacketed	1	24	Blind Cover	1
5	Adjusting Nut	2	15	Bracket Gasket	1	25	Cover (w/ Heating Jacket)	1
6			16	Casing (w/ 90° Threaded Ports)	1	26		
7	Bearing (3205-2RS)	1	17	Casing (w/ 90° Flanged Ports)	1	27	Grub Screw M8x16	4
8	Internal Circlip (ø42)	1	18	Casing (w/ 180° Flanged Ports)	1			
9	Lip Seal ø30xø42x7	2	19	Cover Gasket	1			
10	Bracket Bushing	1	20	Rotor Gear	1			



YKF 2" Internal Eccentric Gear Pump



Performance:

Flow rate	15 m ³ /h
Pressure	1 - 14 bar
Temperature	0 - 200 °C
Speed	500 d/d
Viscosity	100 - 250000 SSU

Technical Features:

- ✓ Internal eccentric gear pump
- ✓ 2" flanged threaded connections
- ✓ Compact design
- ✓ Reliable construction thanks to only two moving parts
- ✓ Various material options
- ✓ Available with external bypass, jacketed and blind cover
- ✓ 230v, three phase 50/60hz motors available
- ✓ Gearbox and belt pulley drive available
- ✓ Manufactured according to CE regulations

Applications:

- ✓ Fuel oil, diesel fuel and gas oil transfer
- ✓ Small scale thermal oil applications including Marlotherm, Duratherm, Paratherm, Multitherm, Mobiltherm and Dowtherm
- ✓ Lubrication applications
- ✓ Coolant transfer
- ✓ Any transfer of low to medium viscosity fluids with lubricating properties
- ✓ Not suitable for fluids containing abrasive particles

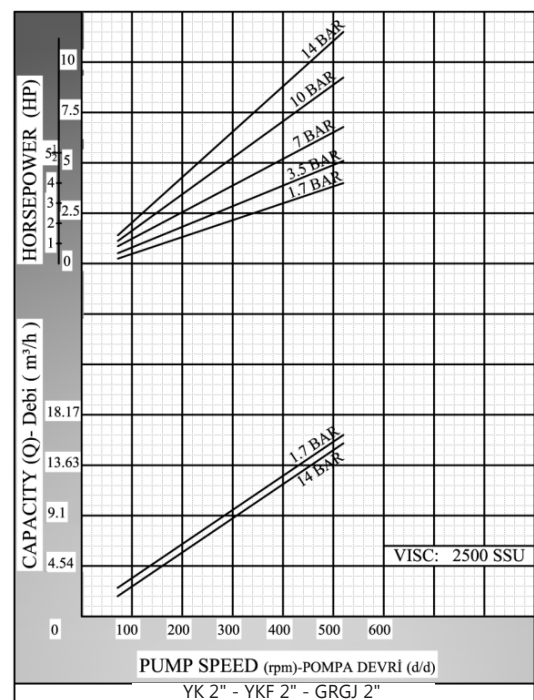
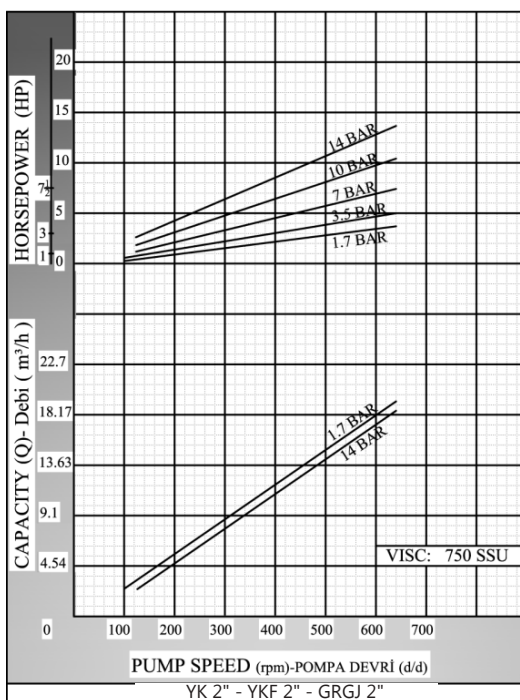
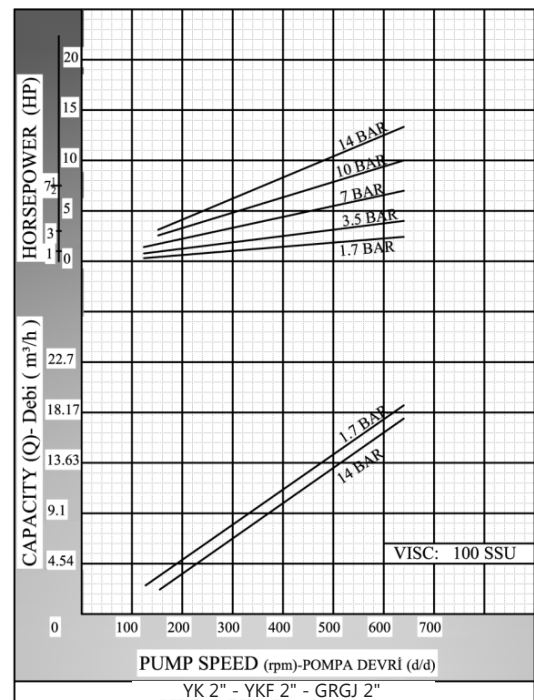
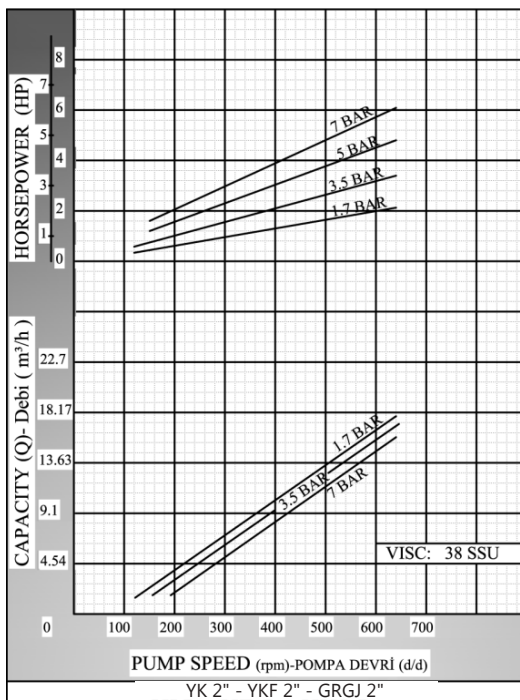
Material Options:

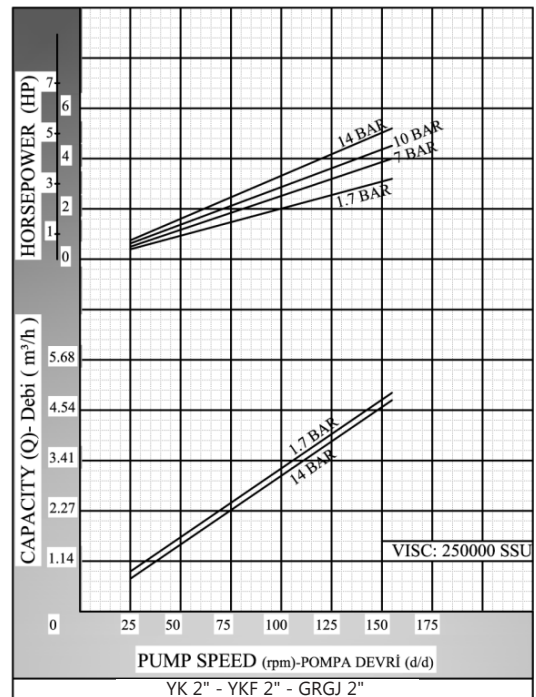
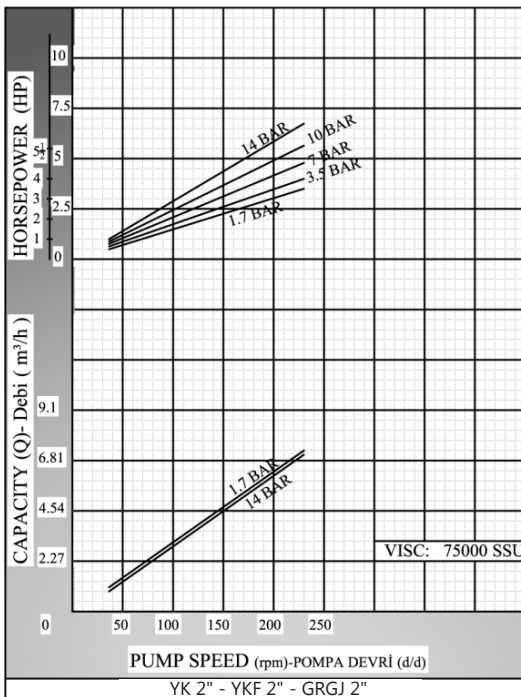
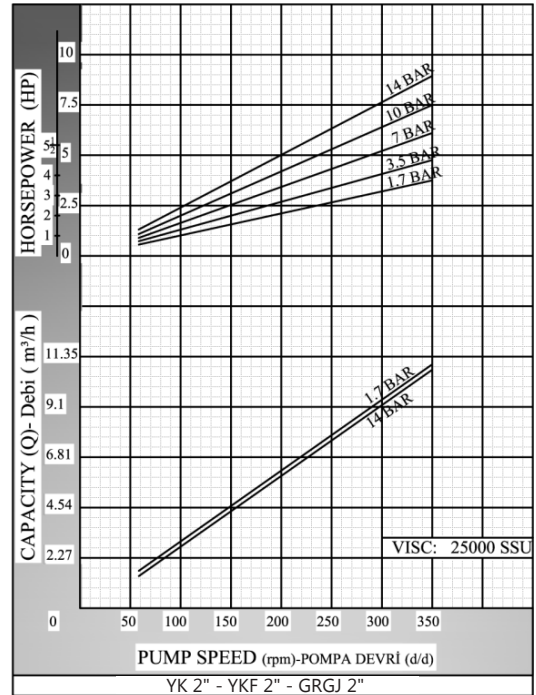
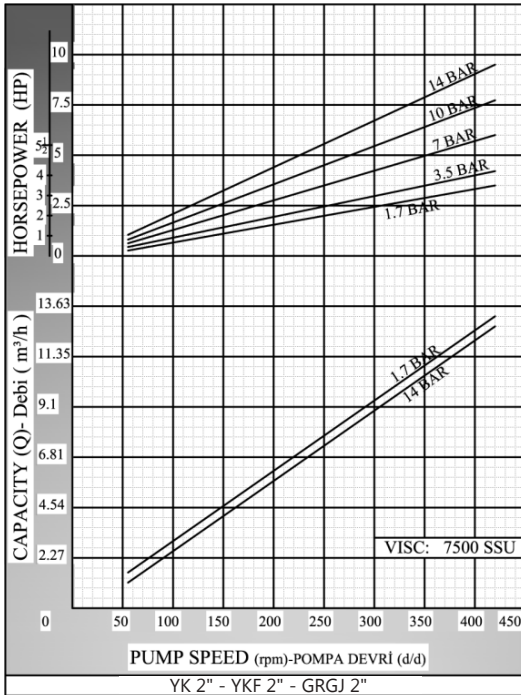
- ✓ Pump body, covers: Pig cast iron, Spheroidal cast iron, cast steel, AISI 304/316 CrNi Stainless Steel
- ✓ Gears: Spheroidal cast iron, cast steel, AISI 304/316 CrNi Stainless Steel
- ✓ Bearings: Snbz 12 bronze, carbon graphite, silicon carbide, hard metal coated steel, bearing
- ✓ Sealing: Soft seal or packing gland, Rotatherm seal, lip seal, mechanical seal, cartridge type mechanical seal

Capacity & Power Table						
Capacity (Q)	Speed (rpm)	Pressure				Viscosity
		2.5 Bar	5 Bar	7.5 Bar	10 Bar	
1.2	60	1 HP	1.5 HP	2 HP	2 HP	75000 SSU
1.5	80	1.5 HP	2 HP	3 HP	3 HP	25000 SSU
2	100	1.5 HP	2 HP	3 HP	3 HP	25000 SSU
8	280	3 HP	4 HP	5.5 HP	7.5 HP	25000 SSU
10	340	3 HP	4 HP	5.5 HP	7.5 HP	7500 SSU
12	400	4 HP	5.5 HP	5.5 HP	7.5 HP	2500 SSU
13.5	450	4 HP	5.5 HP	7.5 HP	7.5 HP	750 SSU



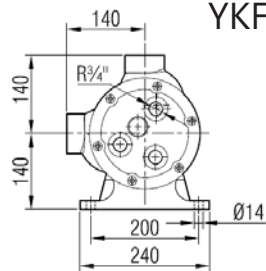
Pump Dimensions - Capacity Graphs:



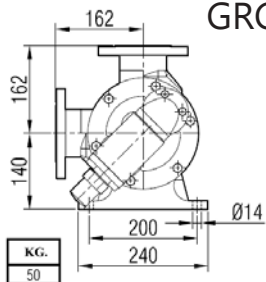


Pump Dimensions:

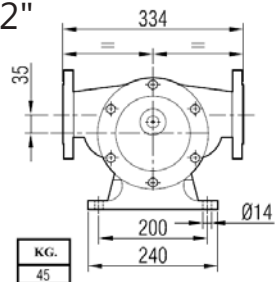
YK 2''



YKF 2''



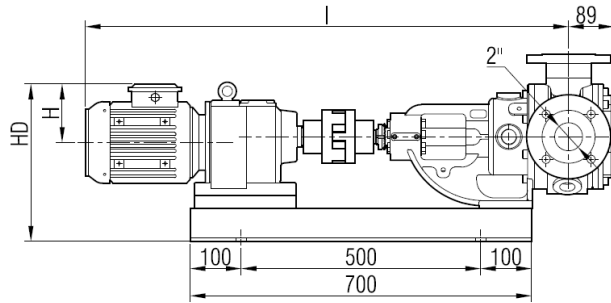
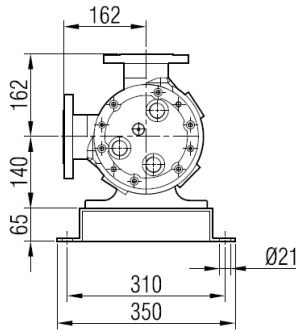
GRGJ 2''



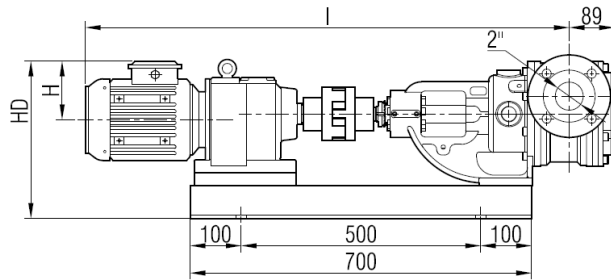
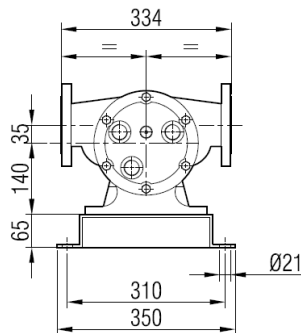


Coupling Dimensions - Gearbox drive:

YKF 2"

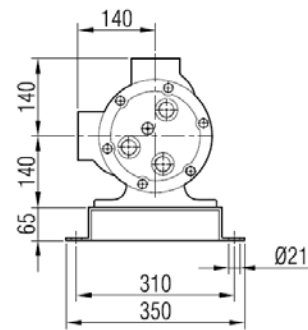


GRGJ 2"

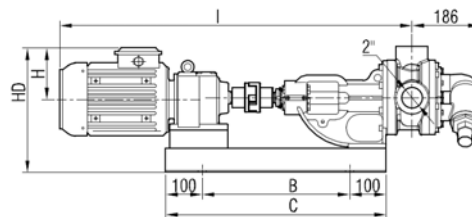
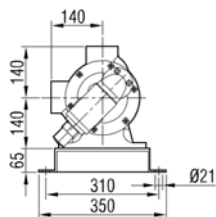


Motor Power & Speed		I	HD	H	Kg	
1 hp / 0.75 kw		950	311	118	115	
20/55 d/d (rpm)	IRAM63/80M					
1.5 hp / 1.1 kw		976	325	132	118	
27/104 d/d (rpm)	IRAM63/90S					
2 hp / 1.5 kw		1001			120	
33/98 d/d (rpm)	IRAM63/90L					
3-4 hp / 2.2-3 kw		1042	334	141	124	127
47/98 d/d (rpm)	IRAM63/100L					
5.5 hp / 4 kw		1063	342	149	129	
104/126 d/d (rpm)	IRAM63/112M					

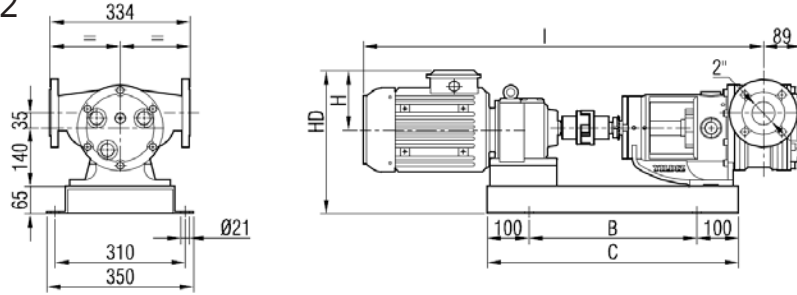
YK 2"



YK 2"

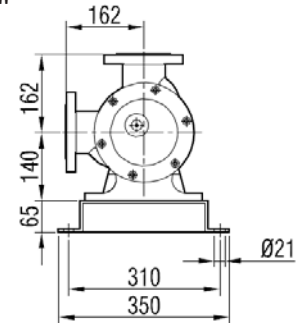


GRGJ 2"



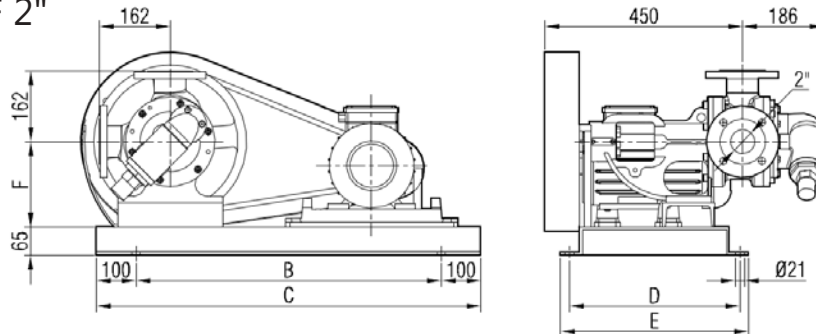
Motor Power & Speed		I	HD	H	B	C	Kg	
1.5 hp / 1 kw		918	332	132	420	620	98	
60/380 d/d (rpm)	IRAM52/90S							
2 hp / 1.5 kw		943	325	141	500	700	100	
90/480 d/d (rpm)	IRAM52/90L							
3 hp / 2.2 kw		1001	334	149	600	800	117	
50/234 d/d (rpm)	IRAM62/C90L							
4 hp / 3 kw		1045	342	182	127	142	125	
65/450 d/d (rpm)	IRAM62/100L							
5.5 hp / 4 kw		1065	371	182	127	142	148	
87/480 d/d (rpm)	210/450 d/d (rpm)							
IRAM62/112M	IRAM62/C112M							
7.5 hp / 5.5 kw		1151	371	182	127	142	148	
75/210 d/d (rpm)	IRAM72/132S							

YKF 2"



Coupling Dimensions - Belt pulley:

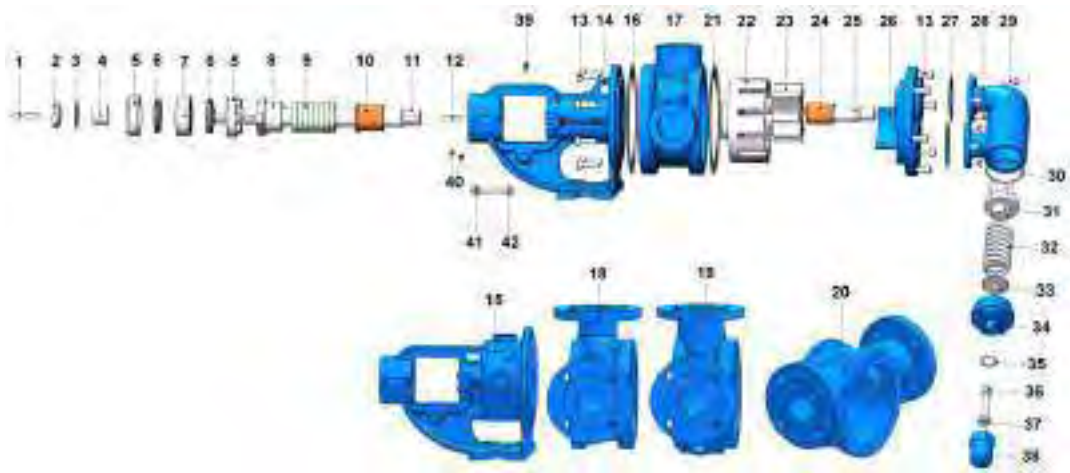
YKF 2"



Motor Power & Speed						F ¹	F ²	F ³	F ⁴	B	C	D	E	Kg
		n1	n2	n3	n4									
		d/d	d/d	d/d	d/d									
3 hp / 2.2 kw	MOTOR 100L	450	400	350	310	140	195	195	250	680	880	390	430	140
4 hp / 3 kw	MOTOR 100L													150
5.5 hp / 4 kw	MOTOR 112M													155
7.5 hp / 5.5 kw	MOTOR 132S									165				
10 hp / 7.5 kw	MOTOR 132M									175				
15 hp / 11 kw	MOTOR 160M									230				
20 hp / 15 kw	MOTOR 160L									240				



Spare Parts List - Sealed with soft seal, and pressure relief valve on cover:



No.	Part Name.	Qty.	No.	Part Name.	Qty.	No.	Part Name.	Qty.
1	Coupling Key 8x7x50 AB	1	15	Bracket (w/ Heating Jacket)	1	29	Hex Bolt M8x25	8
2	Lock Nut	1	16	Bracket Gasket	1	30	Bypass O-Ring	1
3	Lock Washer	1	17	Casing (w /90° Threaded Ports)	1	31	Valve	1
4	Spacer	1	18	Casing (w/ 90° Flanged Ports)	1	32	Spring	1
5	Adjusting Nut	2	19	Casing (w/ 90° Flanged Ports & w/ Heating Jacket)	1	33	Washer	1
6	Lip Seal ø35xø62x10	2	20	Casing (w/ 180° Flanged Ports)	1	34	Bypass Cover	1
7	Ball Bearing (2306)	1	21	Cover Gasket	1	35	Cap O-Ring	1
8	Packing Press	1	22	Rotor Gear	1	36	Nut M12	1
9	Soft Seal / Packing Gland	1 TK	23	Idler Gear	1	37	Adjusting Screw M12x80	1
10	Bracket Bushing	1	24	Idler Bushing	1	38	Cap	1
11	Shaft	1	25	Bypassed Cover Pin	1	39	Greasing Fitting R3/8"	1
12	Rotor Key 8x7x32 A	1	26	Cover (w/ Bypass Inlets)	1	40	Grub Screw M10x16	4
13	Inbus Bolt M10x30	14	27	Bypass Gasket	2	41	Nut M10	2
14	Bracket	1	28	Pressure Relief Valve	1	42	Square Screw M10x70	2

Spare Parts List - Sealed with soft seal, jacketed, and with blind cover:



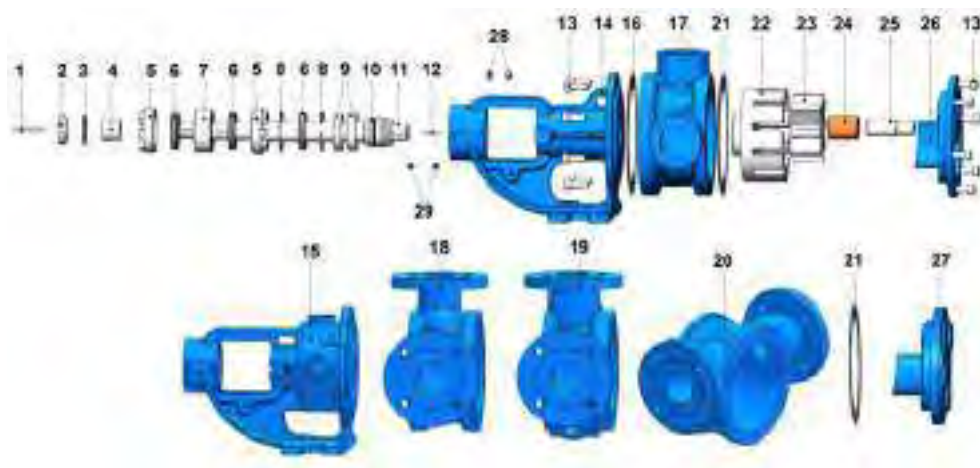
No.	Part Name.	Qty.	No.	Part Name.	Qty.	No.	Part Name.	Qty.
1	Coupling Key 8x7x50 AB	1	12	Rotor Key 8x7x32 A	1	23	Idler Gear	1
2	Lock Nut	1	13	Inbus Bolt M10x30	14	24	Idler Bushing	1
				Inbus Bolt M10x35 For Cover w/Heating Jacket	6			
3	Lock Washer	1	14	Bracket	1	25	Cover Pin	1
4	Spacer	1	15	Bracket (w/ Heating Jacket)	1	26	Blind Cover	1
5	Adjusting Nut	2	16	Bracket Gasket	1	27	Cover (w/ Heating Jacket)	1
6	Lip Seal ø35xø62x10	2	17	Casing (w/ 90° Threaded Ports)	1	28	Greasing Fitting R3/8"	1
7	Ball Bearing (2306)	1	18	Casing (w/ 90° Flanged Ports)	1	29	Grub Screw M10x16	4
8	Packing Press	1	19	Casing (w/ 90° Flanged Ports & w/ Heating Jacket)	1	30	Nut M10	2
9	Soft Seal / Packing Gland	1 TK	20	Casing (w/ 180° Flanged Ports)	1	31	Square Screw M10x70	2
10	Bracket Bushing	1	21	Cover Gasket	2			
11	Shaft	1	22	Rotor Gear	1			

Spare Parts List - Sealed with mechanical seal, and pressure relief valve on cover:



No.	Part Name.	Qty.	No.	Part Name.	Qty.	No.	Part Name.	Qty.
1	Coupling Key 8x7x50 AB	1	15	Bracket (w/ Heating Jacket)	1	29	Hex Bolt M8x25	8
2	Lock Nut	1	16	Bracket Gasket	1	30	Bypass O-Ring	1
3	Lock Washer	1	17	Casing (w /90° Threaded Ports)	1	31	Valve	1
4	Spacer	1	18	Casing (w/ 90° Flanged Ports)	1	32	Spring	1
5	Adjusting Nut	2	19	Casing (w/ 90° Flanged Ports w/ Heating Jacket)	1	33	Washer	1
6	Lip Seal ø35xø62x10	3	20	Casing (w/ 180° Flanged Ports)	1	34	Bypass Cover	1
7	Ball Bearing (2306)	1	21	Cover Gasket	1	35	Cap O-Ring	1
8	Internal Circlip (ø62)	2	22	Rotor Gear	1	36	Nut M12	1
9	Ball Bearing (6007)	2	23	Idler Gear	1	37	Adjusting Screw M12x80	1
10	Mechanical Seal Ø35	1	24	Idler Bushing	1	38	Cap	1
11	Shaft	1	25	Bypassed Cover Pin	1	39	Grease Fitting R3/8"	2
12	Rotor Key 8x7x32 A	1	26	Cover (w/ Bypass Inlets)	1	40	Grub Screw M10x16	4
13	Inbus Bolt M10x30	14	27	Bypass Gasket	2			
14	Bracket	1	28	Pressure Relief Valve	1			

Spare Parts List - Sealed with mechanical seal, jacketed, and with blind cover:



No.	Part Name.	Qty.	No.	Part Name.	Qty.	No.	Part Name.	Qty.
1	Coupling Key 8x7x50 AB	1	11	Shaft	1	21	Cover Gasket	2
2	Lock Nut	1	12	Rotor Key 8x7x32 A	1	22	Rotor Gear	1
3	Lock Washer	1	13	Inbus Bolt M10x30	14	23	Idler Gear	1
				Inbus Bolt M10x35 (For Cover w/ Heating Jacket)	6			
4	Spacer	1	14	Bracket	1	24	Idler Bushing	1
5	Adjusting Nut	2	15	Bracket (w/ Heating Jacket)	1	25	Cover Pin	1
6	Lip Seal ø35xø62x10	3	16	Bracket Gasket	1	26	Blind Cover	1
7	Ball Bearing (2306)	1	17	Casing (w/ 90° Threaded Ports)	1	27	Cover (w/ Heating Jacket)	1
8	Internal Circlip (ø62)	2	18	Casing (w/ 90° Flanged Ports)	1	28	Greasing Fitting R3/8"	2
9	Ball Bearing (6007)	2	19	Casing (w/ 90° Flanged Ports & w/ Heating Jacket)	1	29	Grub Screw M10x16	4
10	Mechanical Seal Ø35	1	20	Casing (w/ 180° Flanged Ports)	1			

Spare Parts List - Sealed with lip seal, jacketed and with blind cover:



No.	Part Name.	Qty.	No.	Part Name.	Qty.	No.	Part Name.	Qty.
1	Coupling Key 8x7x50 AB	1	11	Shaft	1	21	Cover Gasket	1
2	Lock Nut	1	12	Rotor Key 8x7x32 A	1	22	Rotor Gear	1
3	Lock Washer	1	13	Inbus Bolt M10x30	14	23	Idler Gear	1
				Inbus Bolt M10x35 (For Cover w/ Heating Jacket)	6			
4	Spacer	1	14	Bracket	1	24	Idler Bushing	1
5	Adjusting Nut	2	15	Bracket (w/ Heating Jacket)	1	25	Cover Pin	1
6	Lip Seal $\varnothing 35 \times \varnothing 62 \times 10$	2	16	Bracket Gasket	1	26	Blind Cover	1
7	Ball Bearing (2306)	1	17	Casing (w/ 90° Threaded Ports)	1	27	Cover (w/ Heating Jacket)	1
8	Internal Circlip ($\varnothing 56$)	1	18	Casing (w/ 90° Flanged Ports)	1	28	Greasing Fitting R3/8"	1
9	Lip Seal $\varnothing 35 \times \varnothing 56 \times 10$	3	19	Casing (w/ 90° Flanged Ports & w/ Heating Jacket)	1	29	Grub Screw M10x16	4
10	Bracket Bushing	1	20	Casing (w/ 180° Flanged Ports)	1			

Spare Parts List - Sealed with cartex mechanical seal, and pressure relief valve on cover:



No.	Part Name.	Qty.	No.	Part Name.	Qty.	No.	Part Name.	Qty.
1	Coupling Key 8x7x50 AB	1	15	Inbus Bolt M10x30	14	29	Pressure Relief Valve	1
2	Lock Nut	1	16	Bracket (Jacketed & w/ Cartex)	1	30	Hex Bolt M8x25	8
3	Lock Washer	1	17	Bracket Gasket	1	31	Bypass O-Ring	1
4	Spacer	1	18	Casing (w/ 90° Threaded Ports)	1	32	Valve	1
5	Adjusting Nut	1	19	Casing (w/ 90° Flanged Ports)	1	33	Spring	1
6	Lip Seal $\varnothing 35 \times \varnothing 62 \times 10$	2	20	Casing (w/ 90° Flanged Ports & w/ Heating Jacket)	1	34	Washer	1
7	Ball Bearing (2306)	1	21	Casing (w/ 180° Flanged Ports)	1	35	Bypass Cover	1
8	Pulley	1	22	Cover Gasket	1	36	Cap O-Ring	1
9	Hex Bolt (M10x45)	2	23	Rotor Gear	1	37	Nut M12	1
10	M10 Washer	2	24	Idler Gear	1	38	Adjusting Screw M12x80	1
11	Cartex Seal $\varnothing 35$	1	25	Idler Bushing	1	39	Cap	1
12	Bracket Bushing	1	26	Bypassed Cover Pin	1	40	Greasing Fitting R3/8"	2
13	Shaft	1	27	Cover (w/ Bypass Inlets)	1	41	Grub Screw M10x16	4
14	Rotor Key 8x7x32 A	1	28	Bypass Gasket	2			

Spare Parts List - Sealed with cartex mechanical seal, jacketed and with blind cover:



No.	Part Name.	Qty.	No.	Part Name.	Qty.	No.	Part Name.	Qty.
1	Coupling Key 8x7x50 AB	1	11	Cartex Seal Ø35	1	21	Casing (w/ 180° Flanged Ports)	1
2	Lock Nut	1	12	Bracket Bushing	1	22	Cover Gasket	1
3	Lock Washer	1	13	Shaft	1	23	Rotor Gear	1
4	Spacer	1	14	Rotor Key 8x7x32 A	1	24	Idler Gear	1
5	Adjusting Nut	1	15	Inbus Bolt M10x30	14	25	Idler Bushing	1
6	Lip Seal ø35xø62x10	2	16	Bracket (Jacketed & w/ Cartex)	1	26	Cover Pin	1
7	Ball Bearing (2306)	1	17	Bracket Gasket	1	27	Blind Cover	1
8	Pulley	1	18	Casing (w/ 90° Threaded Ports)	1	28	Cover (w/ Heating Jacket)	1
9	Hex Bolt M10x45	2	19	Casing (w/ 90° Flanged Ports)	1	29	Greasing Fitting R3/8"	2
10	M10 Washer	2	20	Casing (w/ 90° Flanged Ports & w/ Heating Jacket)	1	30	Grub Screw M10x16	4

Spare Parts List - Sealed with chesteron lip seal, and pressure relief valve on cover:



No.	Part Name.	Qty.	No.	Part Name.	Qty.	No.	Part Name.	Qty.
1	Coupling Key 8x7x50 AB	1	15	Bracket (w/ Heating Jacket)	1	29	Hex Bolt M8x25	8
2	Lock Nut	1	16	Bracket Gasket	1	30	Bypass O-Ring	1
3	Lock Washer	1	17	Casing (w /90° Threaded Ports)	1	31	Valve	1
4	Spacer	1	18	Casing (w/ 90° Flanged Ports)	1	32	Spring	1
5	Adjusting Nut	2	19	Casing (w/ 90° Flanged Ports & w/ Heating Jacket)	1	33	Washer	1
6	Lip Seal ø35xø62x10	3	20	Casing (w/ 180° Flanged Ports)	1	34	Bypass Cover	1
7	Ball Bearing (2306)	1	21	Cover Gasket	1	35	Cap O-Ring	1
8	Internal Circlip (ø62)	2	22	Rotor Gear	1	36	Nut M12	1
9	Ball Bearing (6007)	2	23	Idler Gear	1	37	Adjusting Screw M12x80	1
10	Internal Circlip (ø53)	1	24	Idler Bushing	1	38	Cap	1
11	Shaft	1	25	Bypassed Cover Pin	1	39	Greasing Fitting R3/8"	2
12	Rotor Key 8x7x32 A	1	26	Cover (w/ Bypass Inlets)	1	40	Grub Screw M10x16	4
13	Inbus Bolt M10x30	14	27	Bypass Gasket	2	41	Chesteron Lip Seal ø35xø53x10	2
14	Bracket	1	28	Pressure Relief Valve	1			



YKF 2½" Internal Eccentric Gear Pump



Performance:

Flow rate	25.5 m³/h
Pressure	1 - 14 bar
Temperature	0 - 200 °C
Speed	500 d/d
Viscosity	100 - 250000 SSU

Technical Features:

- ✓ Internal eccentric gear pump
- ✓ 2½" flanged threaded connections
- ✓ Compact design
- ✓ Reliable construction thanks to only two moving parts
- ✓ Various material options
- ✓ Available with external bypass, jacketed and blind cover
- ✓ 230v, three phase 50/60hz motors available
- ✓ Gearbox and belt pulley drive available
- ✓ Manufactured according to CE regulations

Applications:

- ✓ Fuel oil, diesel fuel and gas oil transfer
- ✓ Small scale thermal oil applications including Marlotherm, Duratherm, Paratherm, Multitherm, Mobiltherm and Dowtherm
- ✓ Lubrication applications
- ✓ Coolant transfer
- ✓ Any transfer of low to medium viscosity fluids with lubricating properties
- ✓ Not suitable for fluids containing abrasive particles

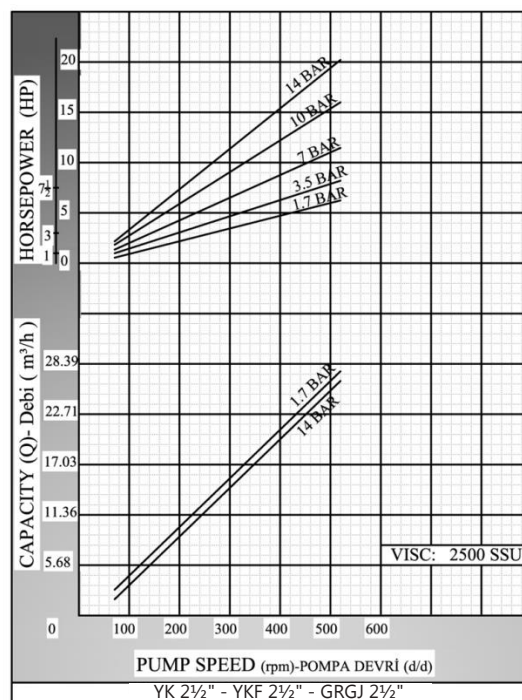
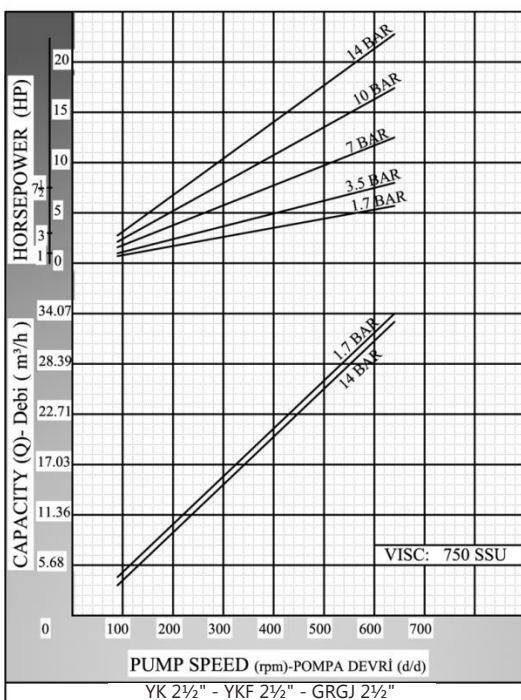
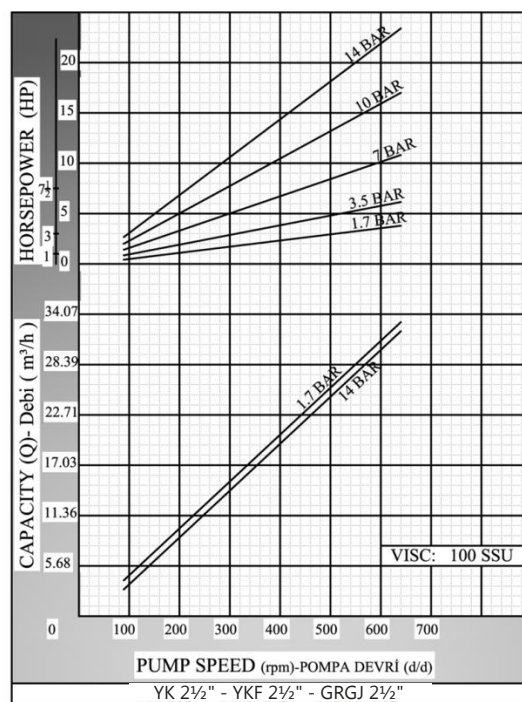
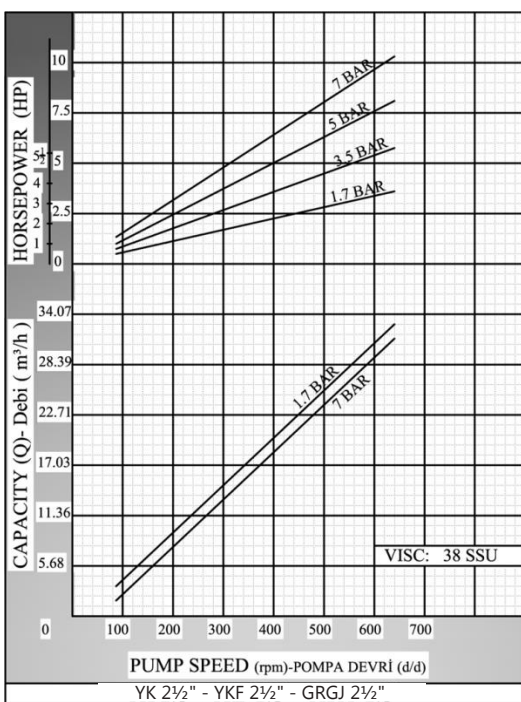
Material Options:

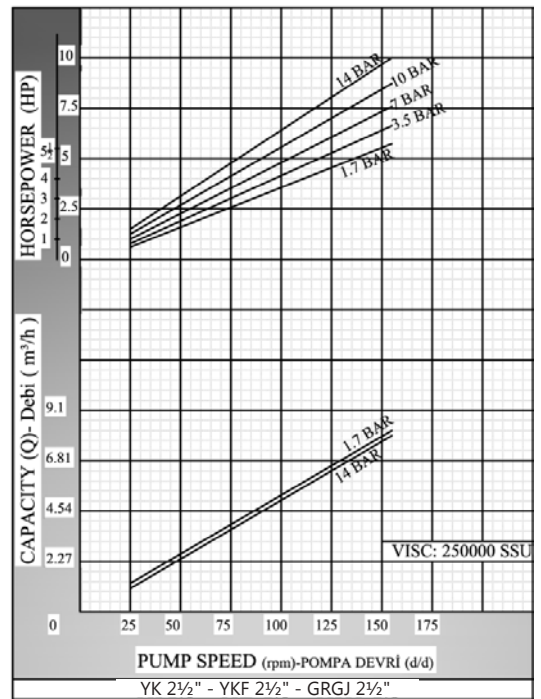
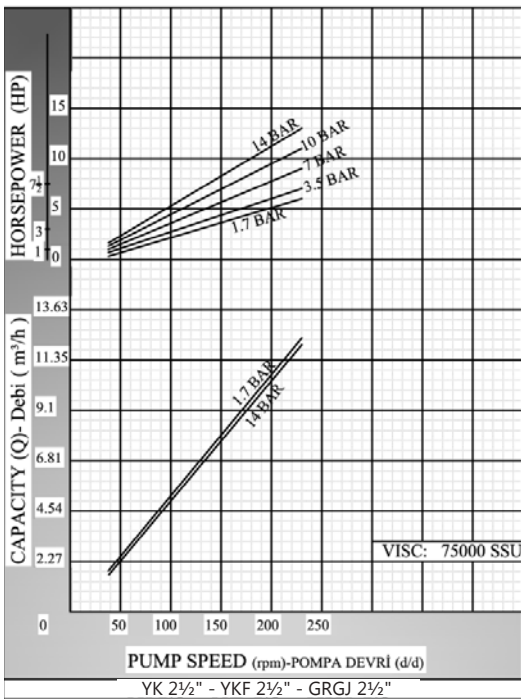
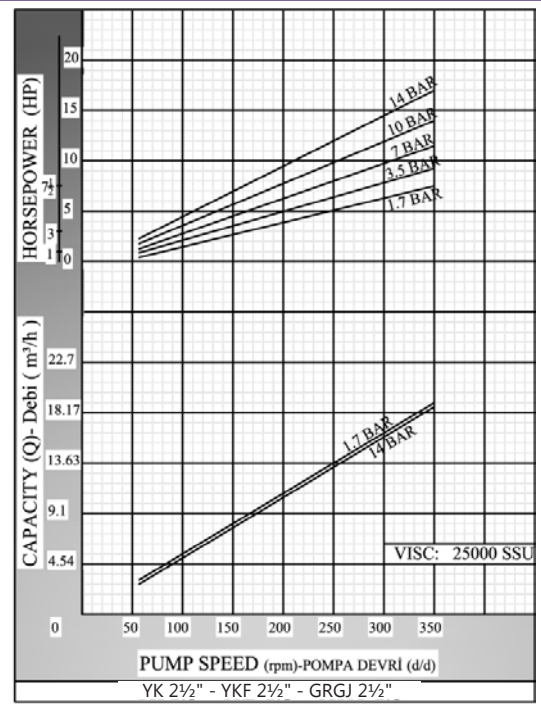
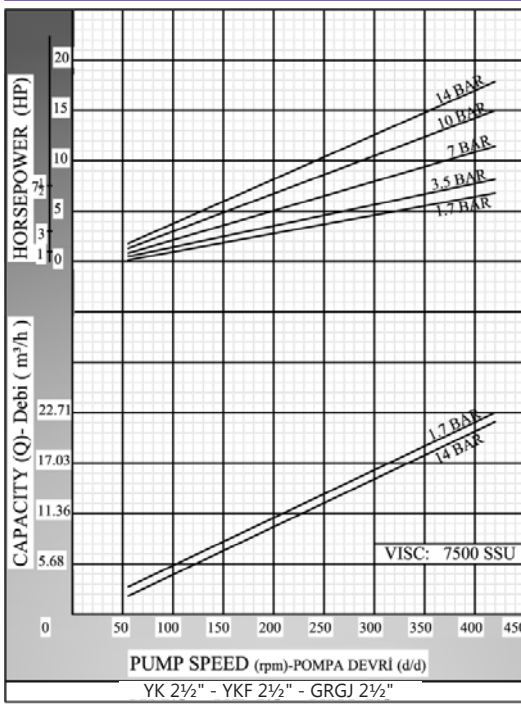
- ✓ Pump body, covers: Pig cast iron, Spheroidal cast iron, cast steel, AISI 304/316 CrNi Stainless Steel
- ✓ Gears: Spheroidal cast iron, cast steel, AISI 304/316 CrNi Stainless Steel
- ✓ Bearings: Snbz 12 bronze, carbon graphite, silicon carbide, hard metal coated steel, bearing
- ✓ Sealing: Soft seal or packing gland, Rotatherm seal, lip seal, mechanical seal, cartridge type mechanical seal

Capacity & Power Table						
Capacity (Q)	Speed (rpm)	Pressure				Viscosity
		2.5 Bar	5 Bar	7.5 Bar	10 Bar	
3	60	2 HP	2 HP	3 HP	3 HP	75000 SSU
4	80	2 HP	3 HP	4 HP	4 HP	25000 SSU
5	100	3 HP	4 HP	5.5 HP	5.5 HP	25000 SSU
10.5	200	5.5 HP	7.5 HP	7.5 HP	10 HP	25000 SSU
13	250	5.5 HP	7.5 HP	7.5 HP	10 HP	7500 SSU
18	350	5.5 HP	7.5 HP	10 HP	15 HP	2500 SSU
23	450	5.5 HP	7.5 HP	10 HP	15 HP	750 SSU

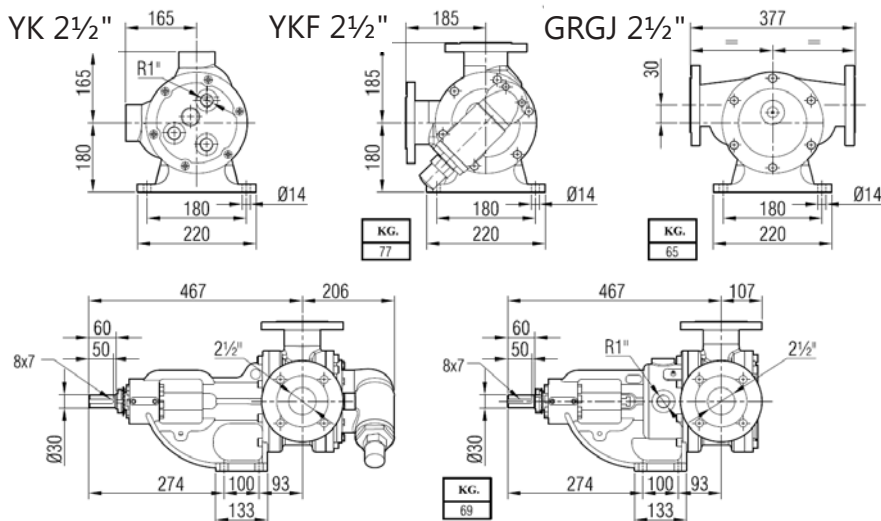


Pump Dimensions - Capacity Graphs:





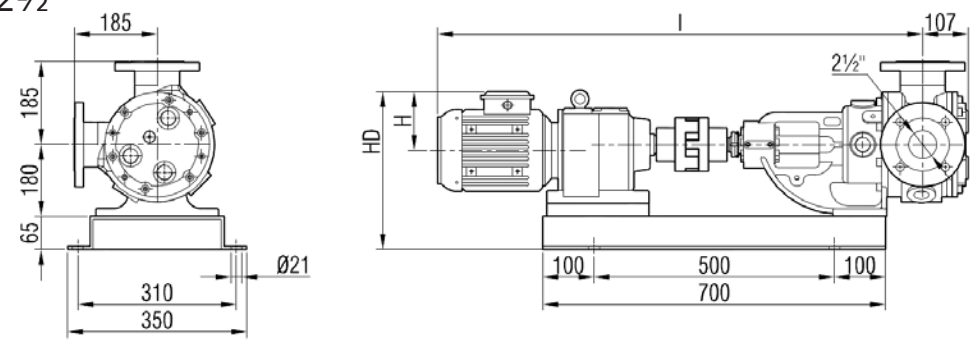
Pump Dimensions:



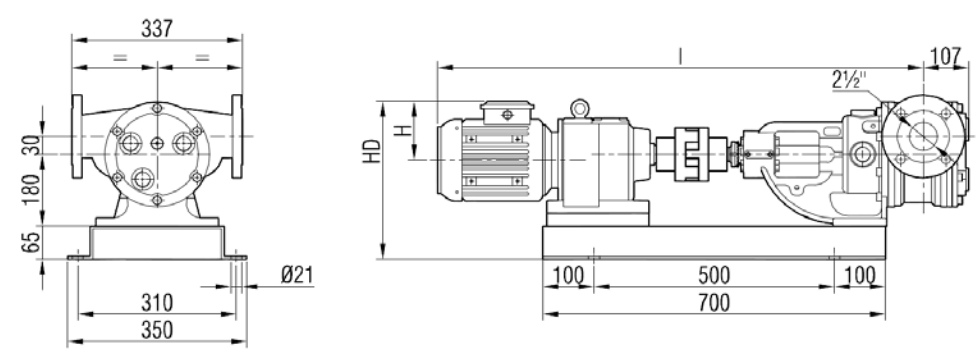


Coupling Dimensions - Gearbox drive:

YKF 2½"

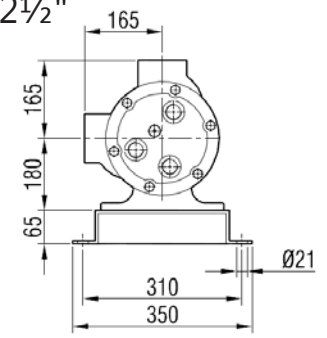


GRGJ 2½"

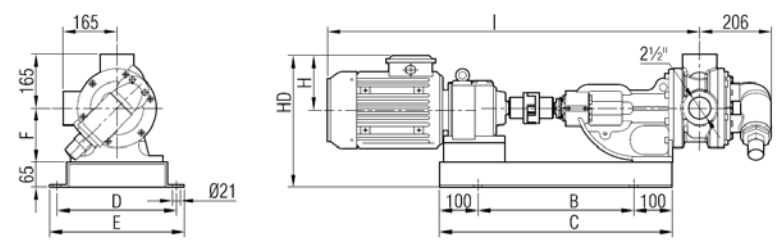


Motor Power & Speed		I	HD	H	Kg	
3-4 hp / 2.2-3 kw		1077	375	141	150	153
47/98 d/d (rpm)	IRAM63/100L					
5.5 hp / 4 kw		1098	383	149	155	
87/93 d/d (rpm)	IRAM63/112M					

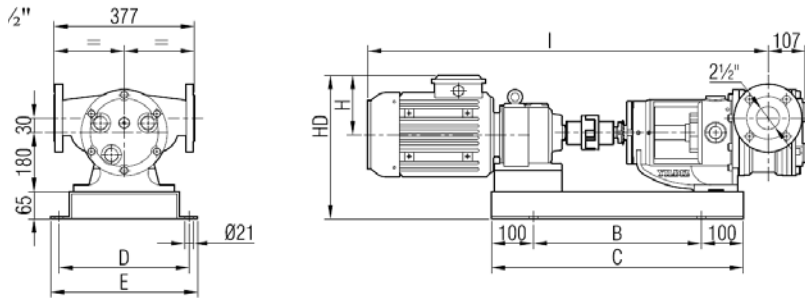
YK 2½"



YK 2½"

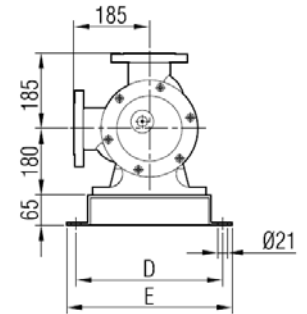


GRGJ 2½"



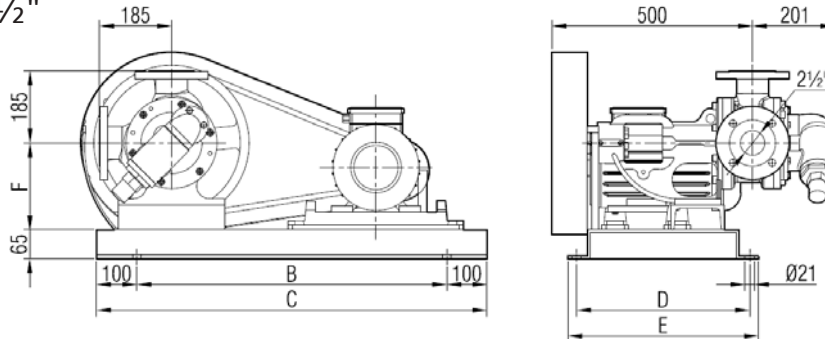
Motor Power & Speed		I	HD	H	B	C	D	E	Kg	
5.5 hp / 4 kw	7.5 hp / 5.5 kw	1098	383	149	500	700			156	168
87/480 d/d (rpm)	210/450 d/d (rpm)									
IRAM62/112M	IRAM62/C112M	1190					310	350	179	
7.5 hp / 5.5 kw										
75/210 d/d (rpm)	IRAM72/132S									
10 hp / 7.5 kw	15 hp / 11 kw									
93/450 d/d (rpm)	200/450 d/d (rpm)	1236	411	182	600	800			190	192
IRAM72/132M	IRAM72/C132M									
20 hp / 15 kw		1420	457	225	680				330	
130/450 d/d (rpm)	IRAM82/160L									

YKF 2½"



Coupling Dimensions - Belt pulley:

YKF 2½"



Motor Power & Speed						F ¹	F ²	F ³	F ⁴	B	C	D	E	Kg
		n1	n2	n3	n4									
		d/d	d/d	d/d	d/d									
3 hp / 2.2 kw	MOTOR 100L	450	400	350	310	140	195	195	250	680	880	390	430	140
4 hp / 3 kw	MOTOR 100L													150
5.5 hp / 4 kw	MOTOR 112M													155
7.5 hp / 5.5 kw	MOTOR 132S													165
10 hp / 7.5 kw	MOTOR 132M													175
15 hp / 11 kw	MOTOR 160M									230				
20 hp / 15 kw	MOTOR 160L									240				



Spare Parts List - Sealed with soft seal, and pressure relief valve on cover:



No.	Part Name.	Qty.	No.	Part Name.	Qty.	No.	Part Name.	Qty.
1	Coupling Key 8x7x50 AB	1	15	Bracket (w/ Heating Jacket)	1	29	Hex Bolt M8x25	8
2	Lock Nut	1	16	Bracket Gasket	1	30	Bypass O-Ring	1
3	Lock Washer	1	17	Casing (w /90° Threaded Ports)	1	31	Valve	1
4	Spacer	1	18	Casing (w/ 90° Flanged Ports)	1	32	Spring	1
5	Adjusting Nut	2	19	Casing (w/ 90° Flanged Ports & w/ Heating Jacket)	1	33	Washer	1
6	Lip Seal ø40xø62x10	2	20	Casing (w/ 180° Flanged Ports)	1	34	Bypass Cover	1
7	Ball Bearing (3207)	1	21	Cover Gasket	1	35	Cap O-Ring	1
8	Packing Press	1	22	Rotor Gear	1	36	Nut M12	1
9	Soft Seal / Packing Gland	1 TK	23	Idler Gear	1	37	Adjusting Screw M12x80	1
10	Bracket Bushing	1	24	Idler Bushing	1	38	Cap	1
11	Shaft	1	25	Cover Pin	1	39	Greasing Fitting R3/8"	1
12	Rotor Key 10x8x35 A	1	26	Cover (w/ Bypass Inlets)	1	40	Grub Screw M10x16	4
13	Hex Bolt M12x35	15	27	Bypass Gasket	2	41	Nut M10	2
14	Bracket	1	28	Pressure Relief Valve - Bypass	1	42	Square Screw M10x70	2

Spare Parts List - Sealed with soft seal, jacketed, and with blind cover:



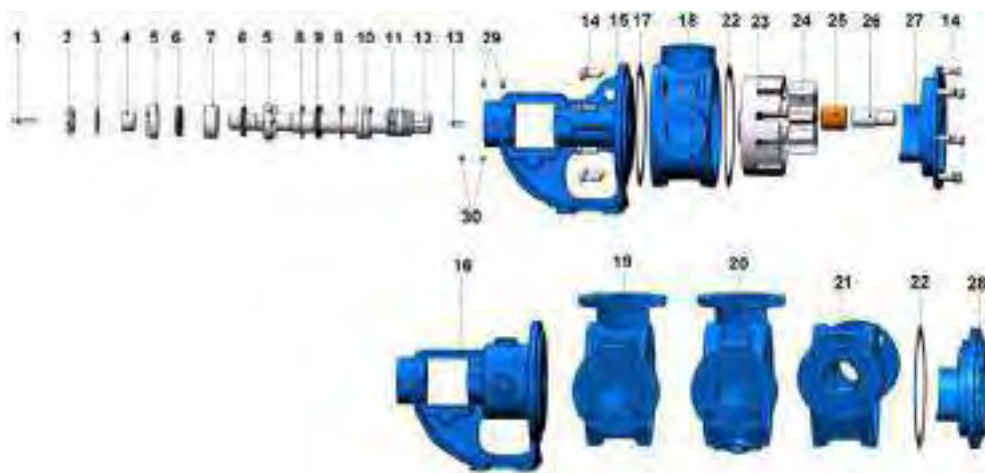
No.	Part Name.	Qty.	No.	Part Name.	Qty.	No.	Part Name.	Qty.
1	Coupling Key 8x7x50 AB	1	12	Rotor Key 10x8x35 A	1	23	Idler Gear	1
2	Lock Nut	1	13	Inbus Bolt M12x35	15	24	Idler Bushing	1
				Inbus Bolt M12x40 For Cover w/Heating Jacket	7			
3	Lock Washer	1	14	Bracket	1	25	Cover Pin	1
4	Spacer	1	15	Bracket (w/ Heating Jacket)	1	26	Blind Cover	1
5	Adjusting Nut	2	16	Bracket Gasket	1	27	Cover (w/ Heating Jacket)	1
6	Lip Seal ø40xø62x10	2	17	Casing (w/ 90° Threaded Ports)	1	28	Greasing Fitting R3/8"	1
7	Ball Bearing (3207)	1	18	Casing (w/ 90° Flanged Ports)	1	29	Grub Screw M10x16	4
8	Packing Press	1	19	Casing (w/ 90° Flanged Ports & w/ Heating Jacket)	1	30	Nut M10	2
9	Soft Seal / Packing Gland	1 TK	20	Casing (w/ 180° Flanged Ports)	1	31	Square Screw M10x70	2
10	Bracket Bushing	1	21	Cover Gasket	2			
11	Shaft	1	22	Rotor Gear	1			

Spare Parts List - Sealed with mechanical seal, and pressure relief valve on cover:



No.	Part Name.	Qty.	No.	Part Name.	Qty.	No.	Part Name.	Qty.
1	Coupling Key 8x7x50 AB	1	15	Bracket	1	29	Pressure Relief Valve - Bypass	1
2	Lock Nut	1	16	Bracket (w/ Heating Jacket)	1	30	Hex Bolt M8x25	8
3	Lock Washer	1	17	Bracket Gasket	1	31	Bypass O-Ring	1
4	Spacer	1	18	Casing (w/ 90° Threaded Ports)	1	32	Valve	1
5	Adjusting Nut	2	19	Casing (w/ 90° Flanged Ports)	1	33	Spring	1
6	Lip Seal $\phi 40 \times \phi 62 \times 10$	2	20	Casing (w/ 90° Flanged Ports w/ Heating Jacket)	1	34	Washer	1
7	Ball Bearing (3207)	1	21	Casing (w/ 180° Flanged Ports)	1	35	Bypass Cover	1
8	Internal Circlip ($\phi 68$)	2	22	Cover Gasket	1	36	Cap O-Ring	1
9	Lip Seal $\phi 40 \times \phi 68 \times 10$	1	23	Rotor Gear	1	37	Nut M12	1
10	Ball Bearing (6008)	2	24	Idler Gear	1	38	Adjusting Screw M12x80	1
11	Mechanical Seal $\phi 40$	1	25	Idler Bushing	1	39	Cap	1
12	Shaft	1	26	Cover Pin	1	40	Grease Fitting R3/8"	2
13	Rotor Key 10x8x35 A	1	27	Cover (w/ Bypass Inlets)	1	41	Grub Screw M10x16	4
14	Hex Bolt M12x35	15	28	Bypass Gasket	2			

Spare Parts List - Sealed with mechanical seal, jacketed, and with blind cover:



No.	Part Name.	Qty.	No.	Part Name.	Qty.	No.	Part Name.	Qty.
1	Coupling Key 8x7x50 AB	1	11	Mechanical Seal $\phi 40$	1	21	Casing (w/ 180° Flanged Ports)	1
2	Lock Nut	1	12	Shaft	1	22	Cover Gasket	2
3	Lock Washer	1	13	Rotor Key 10x8x35 A	1	23	Rotor Gear	1
4	Spacer	1	14	Inbus Bolt M12x35	15	24	Idler Gear	1
				Inbus Bolt M12x40 (For Cover w/ Heating Jacket)	7			
5	Adjusting Nut	2	15	Bracket	1	25	Idler Bushing	1
6	Lip Seal $\phi 40 \times \phi 62 \times 10$	2	16	Bracket (w/ Heating Jacket)	1	26	Cover Pin	1
7	Ball Bearing (3207)	1	17	Bracket Gasket	1	27	Blind Cover	1
8	Internal Circlip ($\phi 68$)	2	18	Casing (w/ 90° Threaded Ports)	1	28	Cover (w/ Heating Jacket)	1
9	Lip Seal $\phi 40 \times \phi 68 \times 10$	1	19	Casing (w/ 90° Flanged Ports)	1	29	Greasing Fitting R3/8"	2
10	Ball Bearing (6008)	2	20	Casing (w/ 90° Flanged Ports & w/ Heating Jacket)	1	30	Grub Screw M10x16	4

Spare Parts List - Sealed with lip seal, jacketed and with blind cover:



No.	Part Name.	Qty.	No.	Part Name.	Qty.	No.	Part Name.	Qty.
1	Coupling Key 8x7x50 AB	1	11	Shaft	1	21	Cover Gasket	2
2	Lock Nut	1	12	Rotor Key 10x8x35 A	1	22	Rotor Gear	1
3	Lock Washer	1	13	Inbus Bolt M12x35	15	23	Idler Gear	1
				Inbus Bolt M12x40 (For Cover w/ Heating Jacket)	7			
4	Spacer	1	14	Bracket	1	24	Idler Bushing	1
5	Adjusting Nut	2	15	Bracket (w/ Heating Jacket)	1	25	Cover Pin	1
6	Lip Seal $\varnothing 40 \times \varnothing 62 \times 10$	2	16	Bracket Gasket	1	26	Blind Cover	1
7	Ball Bearing (3207)	1	17	Casing (w/ 90° Threaded Ports)	1	27	Cover (w/ Heating Jacket)	1
8	Internal Circlip ($\varnothing 56$)	1	18	Casing (w/ 90° Flanged Ports)	1	28	Greasing Fitting R3/8"	1
9	Lip Seal $\varnothing 40 \times \varnothing 56 \times 10$	3	19	Casing (w/ 90° Flanged Ports & w/ Heating Jacket)	1	29	Grub Screw M10x16	4
10	Bracket Bushing	1	20	Casing (w/ 180° Flanged Ports)	1			

Spare Parts List - Sealed with cartex mechanical seal, and pressure relief valve on cover:



No.	Part Name.	Qty.	No.	Part Name.	Qty.	No.	Part Name.	Qty.
1	Coupling Key 8x7x50 AB	1	15	Hex Socket M12x35	15	29	Pressure Relief Valve - Bypass	1
2	Lock Nut	1	16	Bracket	1	30	Adjusting Screw M8x25	8
3	Lock Washer	1	17	Bracket Gasket	1	31	Bypass O-Ring	1
4	Spacer	1	18	Casing (w/ 90° Threaded Ports)	1	32	Valve	1
5	Pulley Cover	1	19	Casing (w/ 90° Flanged Ports)	1	33	Spring	1
6	Lip Seal $\varnothing 40 \times \varnothing 62 \times 10$	2	20	Casing (w/ 90° Flanged Ports & w/ Heating Jacket)	1	34	Washer	1
7	Ball Bearing (3207)	1	21	Casing (w/ 180° Flanged Ports)	1	35	Bypass Cover	1
8	Stay Bolt M8x16	4	22	Cover Gasket	1	36	Cap O-Ring	1
9	Pulley	1	23	Rotor Gear	1	37	Nut M12	1
10	Hex Socket M10x45	2	24	Idler Gear	1	38	Adjusting Screw M12x80	1
11	Cartex Mechanical Seal $\varnothing 40$	1	25	Idler Bushing	1	39	Cap	1
12	Bracket Bushing	1	26	Cover Pin	1	40	Greasing Fitting R3/8"	1
13	Shaft	1	27	Cover (w/ Bypass Inlets)	1	41	Grub Screw M10x16	2
14	Rotor Key 10x8x35 A	1	28	Bypass Gasket	2			

Spare Parts List - Sealed with cartex mechanical seal, jacketed and with blind cover:



No.	Part Name.	Qty.	No.	Part Name.	Qty.	No.	Part Name.	Qty.
1	Coupling Key 8x7x50 AB	1	11	Cartex Mechanical Seal Ø40	1	21	Casing (w/ 180° Flanged Ports)	1
2	Lock Nut	1	12	Bracket Bushing	1	22	Cover Gasket	2
3	Lock Washer	1	13	Shaft	1	23	Rotor Gear	1
4	Spacer	1	14	Rotor Key 10x8x35 A	1	24	Idler Gear	1
5	Pulley Cover	1		Hex Bolt M12x35	15	25	Idler Bushing	1
			15	Hex Bolt M12x40 (For Cover w/ Heating Jacket)	7			
6	Lip Seal ø40xø62x10	2	16	Bracket (w/ Cartex, Jacket & Mechanical Seal)	1	26	Cover Pin	1
7	Ball Bearing (3207)	1	17	Bracket Gasket	1	27	Blind Cover	1
8	Stay Bolt M8x16	4	18	Casing (w/ 90° Threaded Ports)	1	28	Cover (w/ Heating Jacket)	1
9	Pulley	1	19	Casing (w/ 90° Flanged Ports)	1	29	Greasing Fitting R3/8"	1
10	Hex Socket (M10x45)	2	20	Casing (w/ 90° Flanged Ports & w/ Heating Jacket)	1	30	Grub Screw M10x16	2



YKF 3" Internal Eccentric Gear Pump



Performance:

Flow rate	32 m ³ /h
Pressure	1 - 14 bar
Temperature	0 - 200 °C
Speed	420 d/d
Viscosity	100 - 250000 SSU

Technical Features:

- ✓ Internal eccentric gear pump
- ✓ 3" flanged threaded connections
- ✓ Compact design
- ✓ Reliable construction thanks to only two moving parts
- ✓ Various material options
- ✓ Available with external bypass, jacketed and blind cover
- ✓ 230v, three phase 50/60hz motors available
- ✓ Gearbox and belt pulley drive available
- ✓ Manufactured according to CE regulations

Applications:

- ✓ Fuel oil, diesel fuel and gas oil transfer
- ✓ Small scale thermal oil applications including Marlotherm, Duratherm, Paratherm, Multitherm, Mobiltherm and Dowtherm
- ✓ Lubrication applications
- ✓ Coolant transfer
- ✓ Any transfer of low to medium viscosity fluids with lubricating properties
- ✓ Not suitable for fluids containing abrasive particles

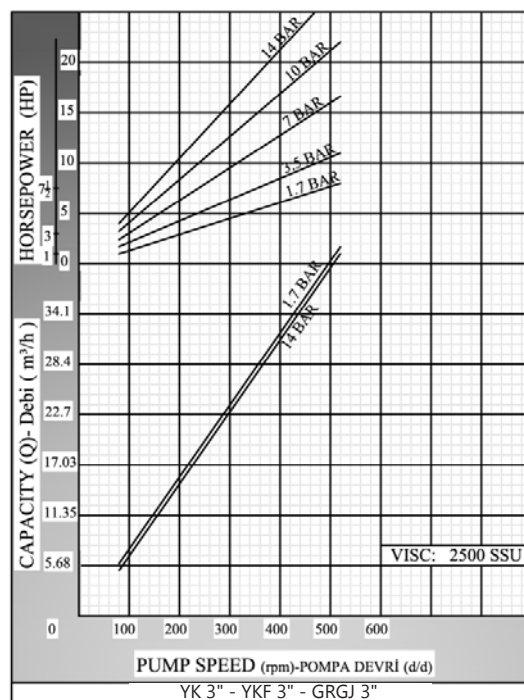
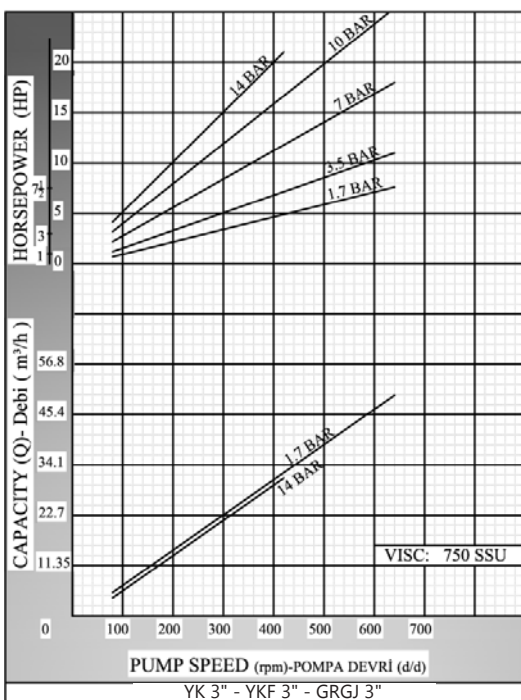
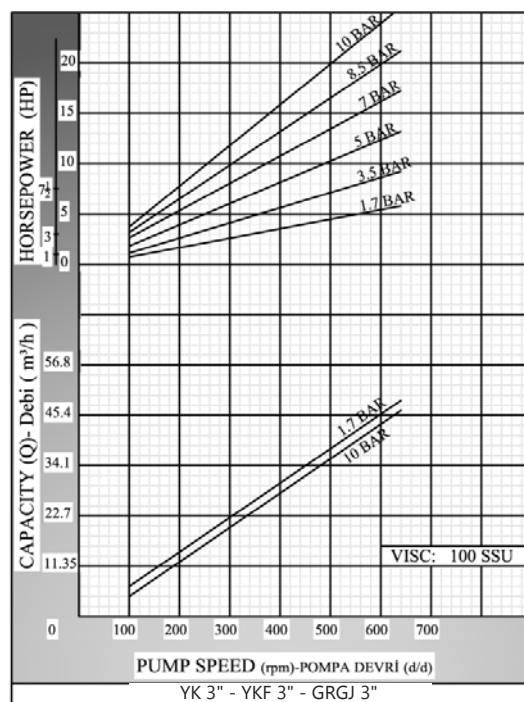
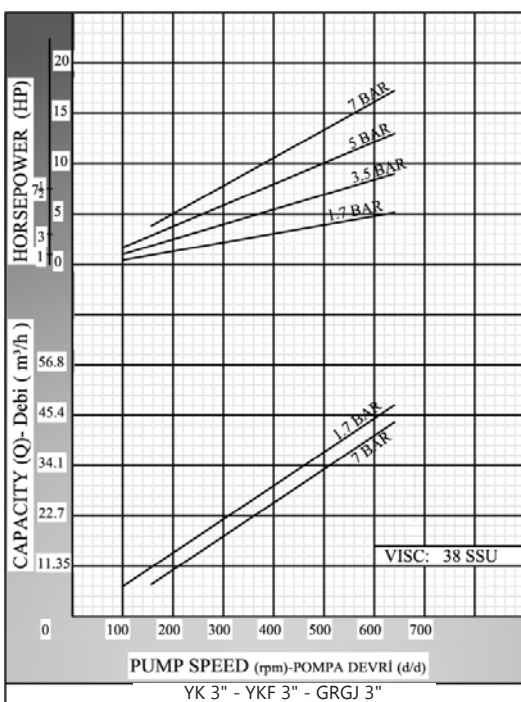
Material Options:

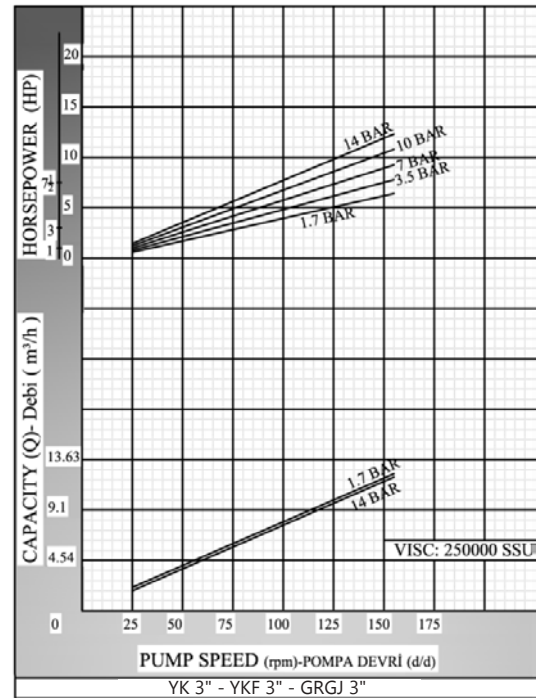
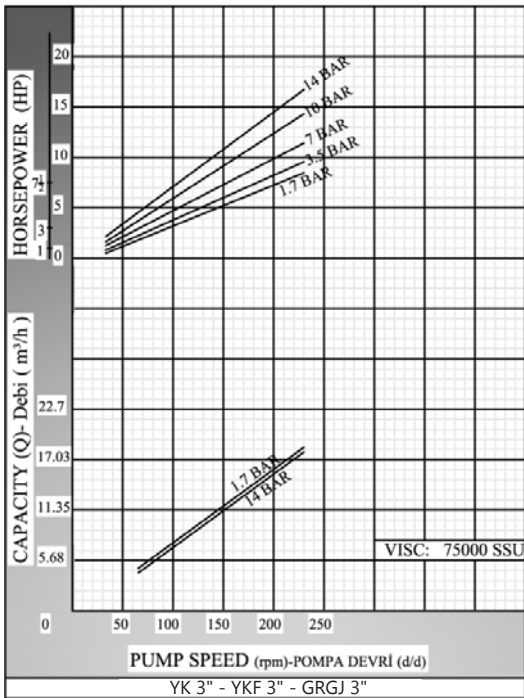
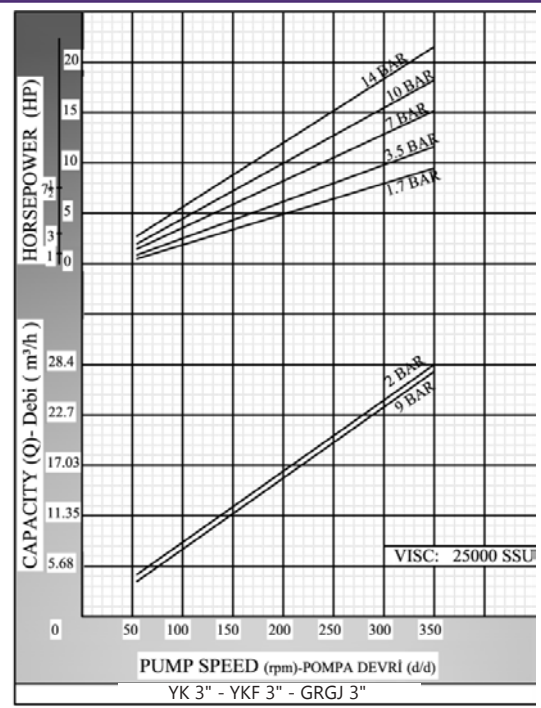
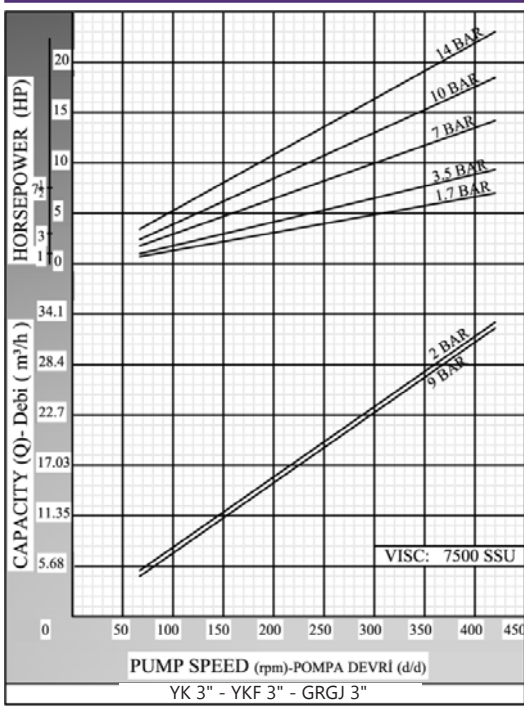
- ✓ Pump body, covers: Pig cast iron, Spheroidal cast iron, cast steel, AISI 304/316 CrNi Stainless Steel
- ✓ Gears: Spheroidal cast iron, cast steel, AISI 304/316 CrNi Stainless Steel
- ✓ Bearings: Snbz 12 bronze, carbon graphite, silicon carbide, hard metal coated steel, bearing
- ✓ Sealing: Soft seal or packing gland, Rotatherm seal, lip seal, mechanical seal, cartridge type mechanical seal

Capacity & Power Table						
Capacity (Q)	Speed (rpm)	Pressure				Viscosity
		2.5 Bar	5 Bar	7.5 Bar	10 Bar	
4	60	3 HP	4 HP	5.5 HP	5.5 HP	75000 SSU
5	80	4 HP	5.5 HP	5.5 HP	5.5 HP	25000 SSU
6	100	4 HP	5.5 HP	5.5 HP	7.5 HP	25000 SSU
16	200	7.5 HP	10 HP	10 HP	15 HP	75000 SSU
22	280	7.5 HP	10 HP	15 HP	15 HP	25000 SSU
27	350	7.5 HP	10 HP	15 HP	20 HP	7500 SSU
32	400	7.5 HP	10 HP	15 HP	20 HP	2500 SSU



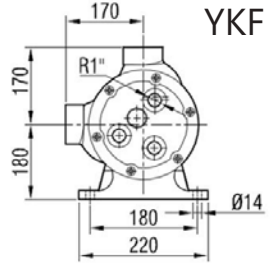
Pump Dimensions - Capacity Graphs:



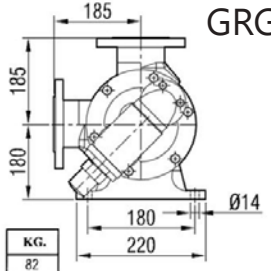


Pump Dimensions:

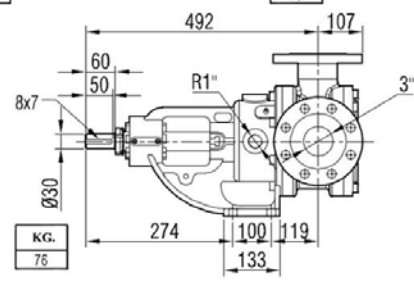
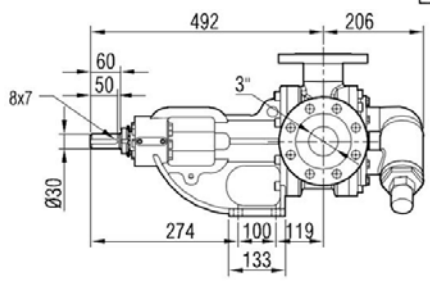
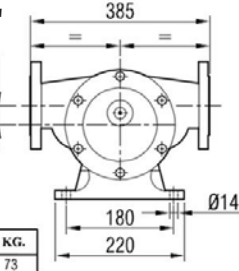
YK 3"



YKF 3"



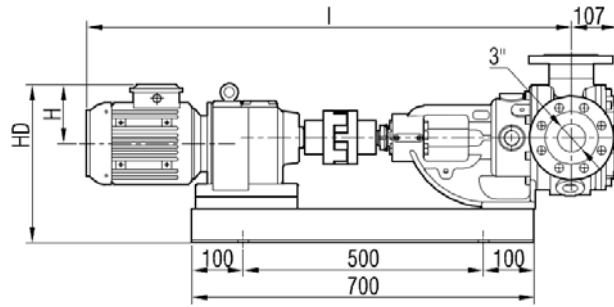
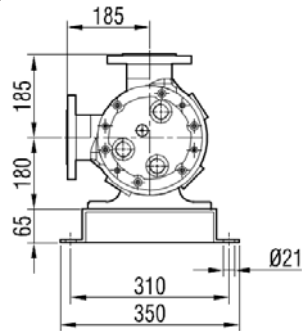
GRGJ 3"



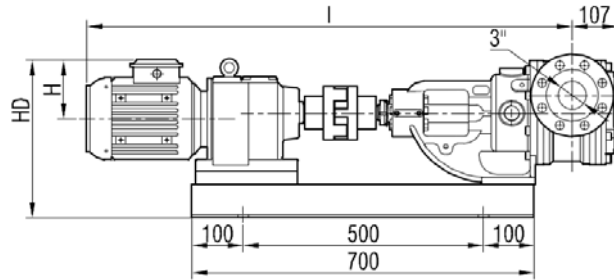
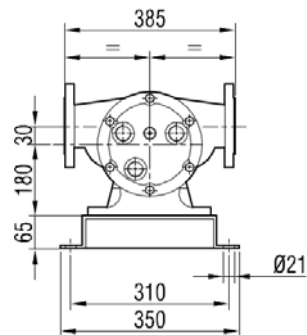


Coupling Dimensions - Gearbox drive:

YKF 3"

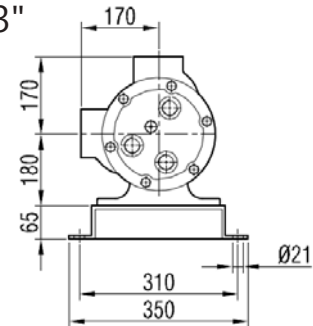


GRGJ 3"

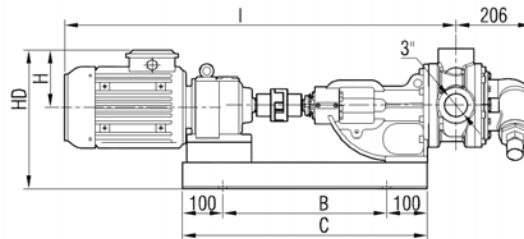
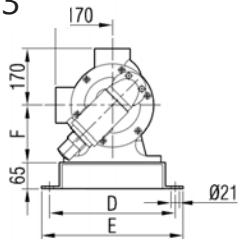


Motor Power & Speed		I	HD	H	Kg	
3-4 hp / 2.2-3 kw		1105	375	141	157	160
47/98 d/d (rpm)	IRAM63/100L					
5.5 hp / 4 kw		1125	383	149	162	
87/93 d/d (rpm)	IRAM63/112M					

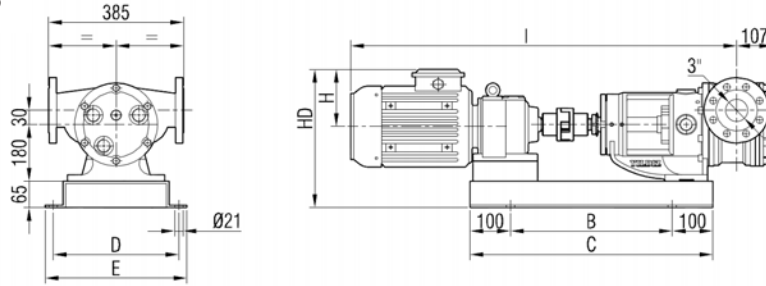
YK 3"



YK 3"

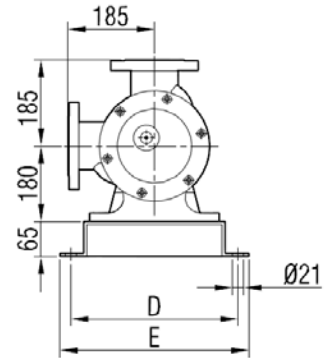


GRGJ 3"



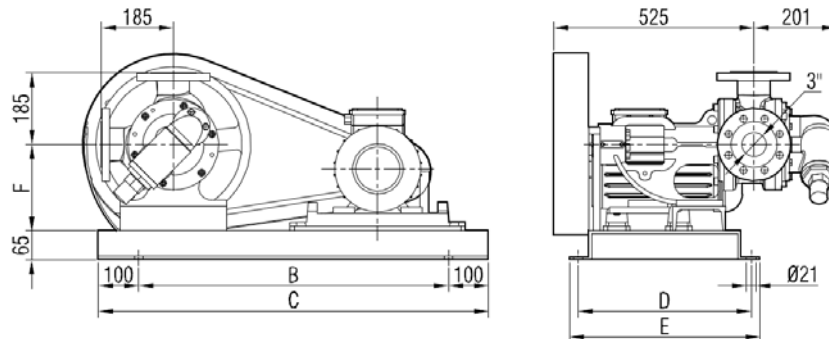
Motor Power & Speed		I	HD	H	B	C	D	E	Kg	
5.5 hp / 4 kw	7.5 hp / 5.5 kw	1123	383	149	500	700			159	174
87/480 d/d (rpm)	210/450 d/d (rpm)									
IRAM62/112M	IRAM62/C112M									
7.5 hp / 5.5 kw		1215	411	182	600	800	310	350	185	
75/210 d/d (rpm)	IRAM72/132S									
10 hp / 7.5 kw	15 hp / 11 kw									
93/450 d/d (rpm)	200/450 d/d (rpm)	1261							196	198
IRAM72/132M	IRAM72/C132M									
20 hp / 15 kw		1446	457	225	680		390	430	336	
130/450 d/d (rpm)	IRAM82/C160L									

YKF 3"



Coupling Dimensions - Belt pulley:

YKF 3"



Motor Power & Speed						F ¹	F ²	F ³	F ⁴	B	C	D	E	Kg
		n1	n2	n3	n4									
		d/d	d/d	d/d	d/d									
7.5 hp / 5.5 kw	MOTOR 132S	450	400	350	310	180	180	245	245	680	880	390	430	205
10 hp / 7.5 kw	MOTOR 132M													
15 hp / 11 kw	MOTOR 160M									880	1080	480	520	270



Spare Parts List - Sealed with soft seal, and pressure relief valve on cover:



No.	Part Name.	Qty.	No.	Part Name.	Qty.	No.	Part Name.	Qty.
1	Coupling Key 8x7x50 AB	1	15	Bracket (w/ Heating Jacket)	1	29	Hex Bolt M8x25	8
2	Lock Nut	1	16	Bracket Gasket	1	30	Bypass O-Ring	1
3	Lock Washer	1	17	Casing (w /90° Threaded Ports)	1	31	Valve	1
4	Spacer	1	18	Casing (w/ 90° Flanged Ports)	1	32	Spring	1
5	Adjusting Nut	2	19	Casing (w/ 90° Flanged Ports & w/ Heating Jacket)	1	33	Washer	1
6	Lip Seal ø40xø62x10	2	20	Casing (w/ 180° Flanged Ports)	1	34	Bypass Cover	1
7	Ball Bearing (3207)	1	21	Cover Gasket	1	35	Cap O-Ring	1
8	Packing Press	1	22	Rotor Gear	1	36	Nut M12	1
9	Soft Seal / Packing Gland	1 TK	23	Idler Gear	1	37	Adjusting Screw M12x80	1
10	Bracket Bushing	1	24	Idler Bushing	1	38	Cap	1
11	Shaft	1	25	Cover Pin	1	39	Greasing Fitting R3/8"	1
12	Rotor Key 10x8x35 A	1	26	Cover (w/ Bypass Inlets)	1	40	Grub Screw M10x16	4
13	Hex Bolt M12x35	15	27	Bypass Gasket	2	41	Nut M10	2
14	Bracket	1	28	Pressure Relief Valve - Bypass	1	42	Square Screw M10x70	2

Spare Parts List - Sealed with soft seal, jacketed, and with blind cover:



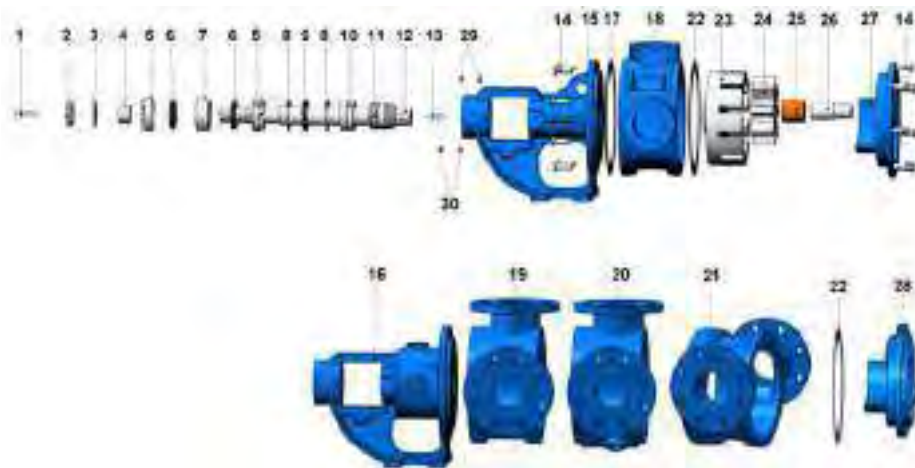
No.	Part Name.	Qty.	No.	Part Name.	Qty.	No.	Part Name.	Qty.
1	Coupling Key 8x7x50 AB	1	12	Rotor Key 10x8x35 A	1	23	Idler Gear	1
2	Lock Nut	1	13	Inbus Bolt M12x35	15	24	Idler Bushing	1
				Inbus Bolt M12x40 For Cover w/Heating Jacket	7			
3	Lock Washer	1	14	Bracket	1	25	Cover Pin	1
4	Spacer	1	15	Bracket (w/ Heating Jacket)	1	26	Blind Cover	1
5	Adjusting Nut	2	16	Bracket Gasket	1	27	Cover (w/ Heating Jacket)	1
6	Lip Seal ø40xø62x10	2	17	Casing (w/ 90° Threaded Ports)	1	28	Greasing Fitting R3/8"	1
7	Ball Bearing (3207)	1	18	Casing (w/ 90° Flanged Ports)	1	29	Grub Screw M10x16	4
8	Packing Press	1	19	Casing (w/ 90° Flanged Ports & w/ Heating Jacket)	1	30	Nut M10	2
9	Soft Seal / Packing Gland	1 TK	20	Casing (w/ 180° Flanged Ports)	1	31	Square Screw M10x70	2
10	Bracket Bushing	1	21	Cover Gasket	2			
11	Shaft	1	22	Rotor Gear	1			

Spare Parts List - Sealed with mechanical seal, and pressure relief valve on cover:



No.	Part Name.	Qty.	No.	Part Name.	Qty.	No.	Part Name.	Qty.
1	Coupling Key 8x7x50 AB	1	15	Bracket	1	29	Pressure Relief Valve - Bypass	1
2	Lock Nut	1	16	Bracket (w/ Heating Jacket)	1	30	Hex Bolt M8x25	8
3	Lock Washer	1	17	Bracket Gasket	1	31	Bypass O-Ring	1
4	Spacer	1	18	Casing (w /90° Threaded Ports)	1	32	Valve	1
5	Adjusting Nut	2	19	Casing (w/ 90° Flanged Ports)	1	33	Spring	1
6	Lip Seal $\phi 40 \times \phi 62 \times 10$	2	20	Casing (w/ 90° Flanged Ports w/ Heating Jacket)	1	34	Washer	1
7	Ball Bearing (3207)	1	21	Casing (w/ 180° Flanged Ports)	1	35	Bypass Cover	1
8	Internal Circlip ($\phi 68$)	2	22	Cover Gasket	1	36	Cap O-Ring	1
9	Lip Seal $\phi 40 \times \phi 68 \times 10$	1	23	Rotor Gear	1	37	Nut M12	1
10	Ball Bearing (6008)	2	24	Idler Gear	1	38	Adjusting Screw M12x80	1
11	Mechanical Seal $\phi 40$	1	25	Idler Bushing	1	39	Cap	1
12	Shaft	1	26	Cover Pin	1	40	Grease Fitting R3/8"	2
13	Rotor Key 10x8x35 A	1	27	Cover (w/ Bypass Inlets)	1	41	Grub Screw M10x16	4
14	Inbus Bolt M12x35	15	28	Bypass Gasket	2			

Spare Parts List - Sealed with mechanical seal, jacketed, and with blind cover:



No.	Part Name.	Qty.	No.	Part Name.	Qty.	No.	Part Name.	Qty.
1	Coupling Key 8x7x50 AB	1	11	Mechanical Seal $\phi 40$	1	21	Casing (w/ 180° Flanged Ports)	1
2	Lock Nut	1	12	Shaft	1	22	Cover Gasket	2
3	Lock Washer	1	13	Rotor Key 10x8x35 A	1	23	Rotor Gear	1
4	Spacer	1	14	Hex Bolt M12x35	15	24	Idler Gear	1
				Inbus Bolt M12x40 (For Cover w/ Heating Jacket)	7			
5	Adjusting Nut	2	15	Bracket	1	25	Idler Bushing	1
6	Lip Seal $\phi 40 \times \phi 62 \times 10$	2	16	Bracket (w/ Heating Jacket)	1	26	Cover Pin	1
7	Ball Bearing (3207)	1	17	Bracket Gasket	1	27	Blind Cover	1
8	Internal Circlip ($\phi 68$)	2	18	Casing (w/ 90° Threaded Ports)	1	28	Cover (w/ Heating Jacket)	1
9	Lip Seal $\phi 40 \times \phi 68 \times 10$	1	19	Casing (w/ 90° Flanged Ports)	1	29	Greasing Fitting R3/8"	2
10	Ball Bearing (6008)	2	20	Casing (w/ 90° Flanged Ports & w/ Heating Jacket)	1	30	Grub Screw M10x16	4

Spare Parts List - Sealed with lip seal, jacketed and with blind cover:



No.	Part Name.	Qty.	No.	Part Name.	Qty.	No.	Part Name.	Qty.
1	Coupling Key 8x7x50 AB	1	11	Shaft	1	21	Cover Gasket	2
2	Lock Nut	1	12	Rotor Key 10x8x35 A	1	22	Rotor Gear	1
3	Lock Washer	1	13	Inbus Bolt M12x35	15	23	Idler Gear	1
				Inbus Bolt M12x40 (For Cover w/ Heating Jacket)	7			
4	Spacer	1	14	Bracket	1	24	Idler Bushing	1
5	Adjusting Nut	2	15	Bracket (w/ Heating Jacket)	1	25	Cover Pin	1
6	Lip Seal $\varnothing 40 \times \varnothing 62 \times 10$	2	16	Bracket Gasket	1	26	Blind Cover	1
7	Ball Bearing (3207)	1	17	Casing (w/ 90° Threaded Ports)	1	27	Cover (w/ Heating Jacket)	1
8	Internal Circlip ($\varnothing 56$)	1	18	Casing (w/ 90° Flanged Ports)	1	28	Greasing Fitting R3/8"	1
9	Lip Seal $\varnothing 40 \times \varnothing 56 \times 10$	3	19	Casing (w/ 90° Flanged Ports & w/ Heating Jacket)	1	29	Grub Screw M10x16	4
10	Bracket Bushing	1	20	Casing (w/ 180° Flanged Ports)	1			

Spare Parts List - Sealed with cartex mechanical seal, and pressure relief valve on cover:



No.	Part Name.	Qty.	No.	Part Name.	Qty.	No.	Part Name.	Qty.
1	Coupling Key 8x7x50 AB	1	15	Hex Socket M12x35	15	29	Pressure Relief Valve - Bypass	1
2	Lock Nut	1	16	Bracket	1	30	Adjusting Screw M8x25	8
3	Lock Washer	1	17	Bracket Gasket	1	31	Bypass O-Ring	1
4	Spacer	1	18	Casing (w/ 90° Threaded Ports)	1	32	Valve	1
5	Pulley Cover	1	19	Casing (w/ 90° Flanged Ports)	1	33	Spring	1
6	Lip Seal $\varnothing 40 \times \varnothing 62 \times 10$	2	20	Casing (w/ 90° Flanged Ports & w/ Heating Jacket)	1	34	Washer	1
7	Ball Bearing (3207)	1	21	Casing (w/ 180° Flanged Ports)	1	35	Bypass Cover	1
8	Stay Bolt M8x16	4	22	Cover Gasket	1	36	Cap O-Ring	1
9	Pulley	1	23	Rotor Gear	1	37	Nut M12	1
10	Hex Socket M10x45	2	24	Idler Gear	1	38	Adjusting Screw M12x80	1
11	Cartex Mechanical Seal $\varnothing 40$	1	25	Idler Bushing	1	39	Cap	1
12	Bracket Bushing	1	26	Cover Pin	1	40	Greasing Fitting R3/8"	1
13	Shaft	1	27	Cover (w/ Bypass Inlets)	1	41	Grub Screw M10x16	2
14	Rotor Key 10x8x35 A	1	28	Bypass Gasket	2			

Spare Parts List - Sealed with cartex mechanical seal, jacketed and with blind cover:



No.	Part Name.	Qty.	No.	Part Name.	Qty.	No.	Part Name.	Qty.
1	Coupling Key 8x7x50 AB	1	11	Cartex Seal Ø40	1	21	Casing (w/ 180° Flanged Ports)	1
2	Lock Nut	1	12	Bracket Bushing	1	22	Cover Gasket	2
3	Lock Washer	1	13	Shaft	1	23	Rotor Gear	1
4	Spacer	1	14	Rotor Key 10x8x35 A	1	24	Idler Gear	1
5	Pulley Cover	1	15	Hex Bolt M12x35	15	25	Idler Bushing	1
6	Lip Seal ø40xø62x10	2	16	Hex Bolt M12x40 (For Cover w/ Heating Jacket)	7	26	Cover Pin	1
7	Ball Bearing (3207)	1	17	Bracket (w/ Cartex, Jacket & Mechanical Seal)	1	27	Blind Cover	1
8	Stay Bolt M8x16	4	18	Bracket Gasket	1	28	Cover (w/ Heating Jacket)	1
9	Pulley	1	19	Casing (w/ 90° Threaded Ports)	1	29	Greasing Fitting R3/8"	1
10	Hex Socket M10x45	2	20	Casing (w/ 90° Flanged Ports & w/ Heating Jacket)	1	30	Grub Screw M10x16	2



YKF 4" Internal Eccentric Gear Pump



Performance:

Flow rate	55 m ³ /h
Pressure	1 - 14 bar
Temperature	0 - 200 °C
Speed	400 d/d
Viscosity	100 - 250000 SSU

Technical Features:

- ✓ Internal eccentric gear pump
- ✓ 4" flanged threaded connections
- ✓ Compact design
- ✓ Reliable construction thanks to only two moving parts
- ✓ Various material options
- ✓ Available with external bypass, jacketed and blind cover
- ✓ 230v, three phase 50/60hz motors available
- ✓ Gearbox and belt pulley drive available
- ✓ Manufactured according to CE regulations

Applications:

- ✓ Fuel oil, diesel fuel and gas oil transfer
- ✓ Small scale thermal oil applications including Marlotherm, Duratherm, Paratherm, Multitherm, Mobiltherm and Dowtherm
- ✓ Lubrication applications
- ✓ Coolant transfer
- ✓ Any transfer of low to medium viscosity fluids with lubricating properties
- ✓ Not suitable for fluids containing abrasive particles

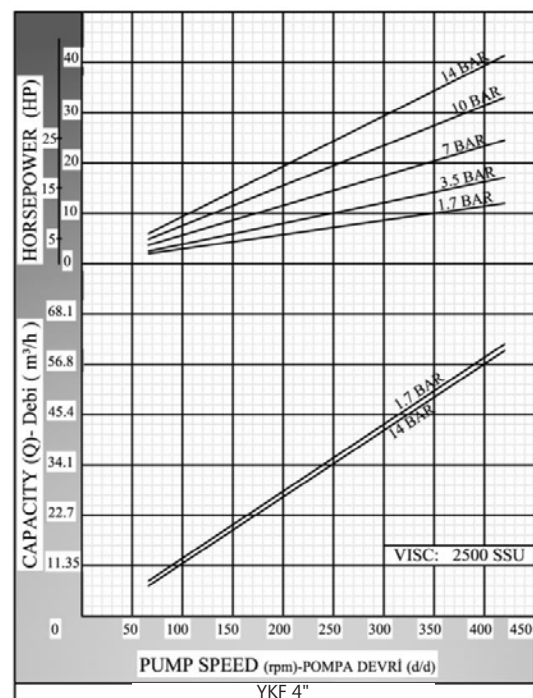
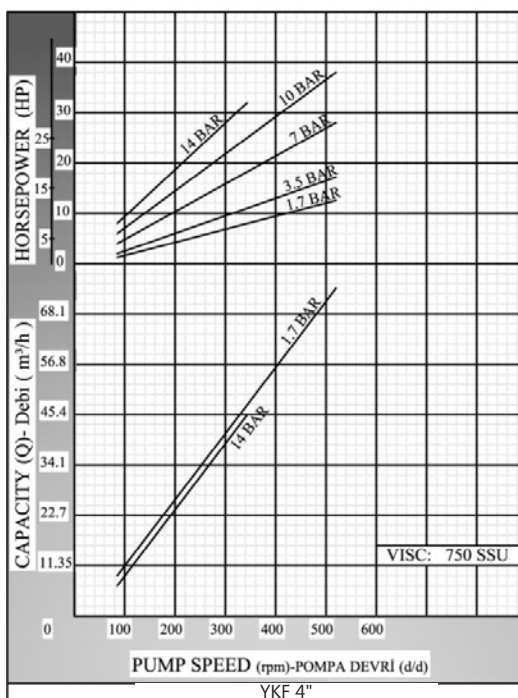
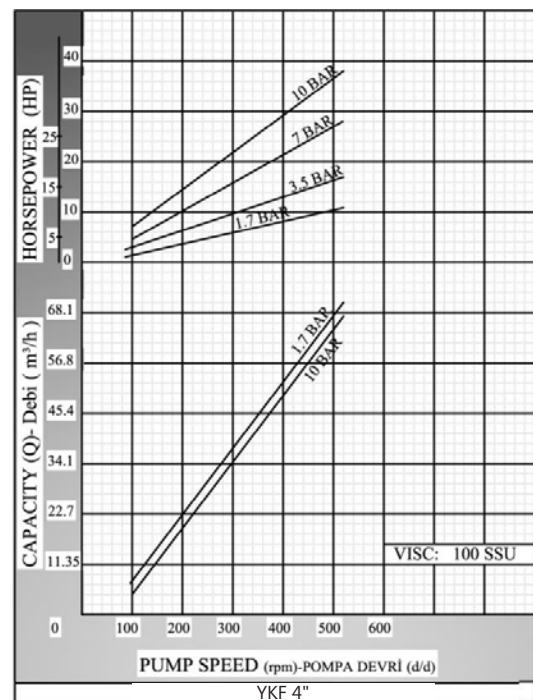
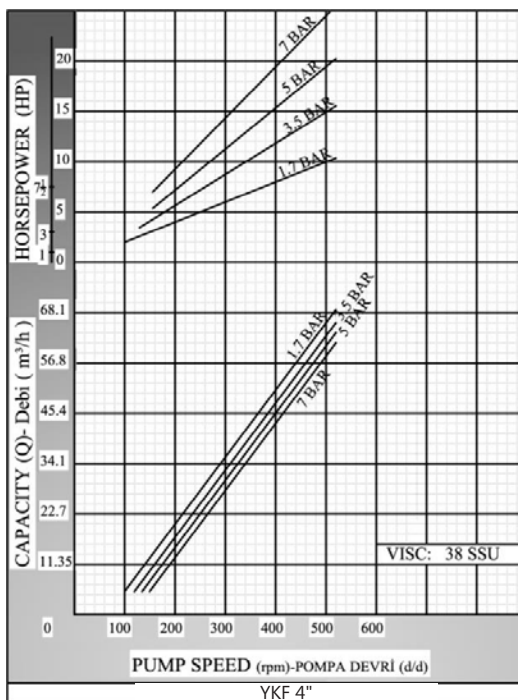
Material Options:

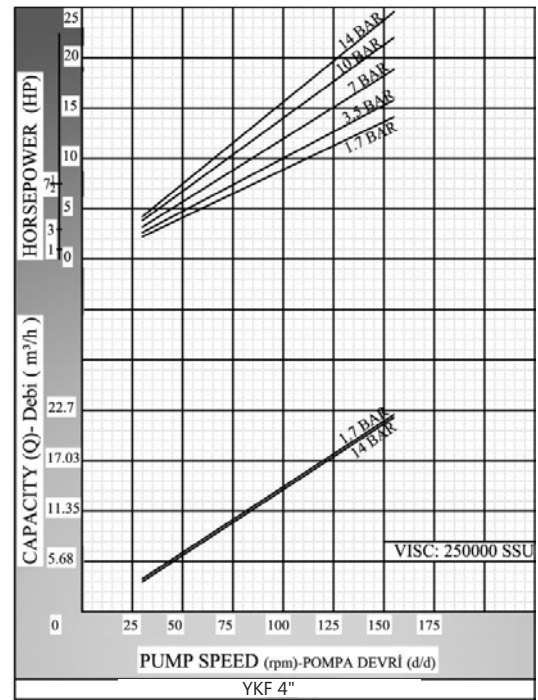
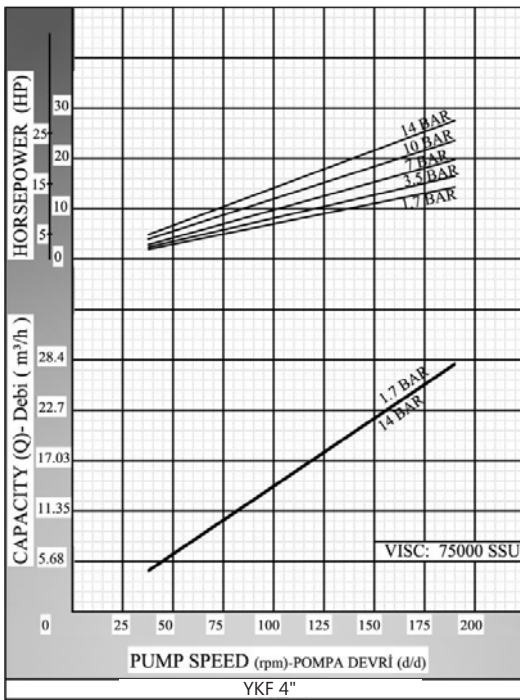
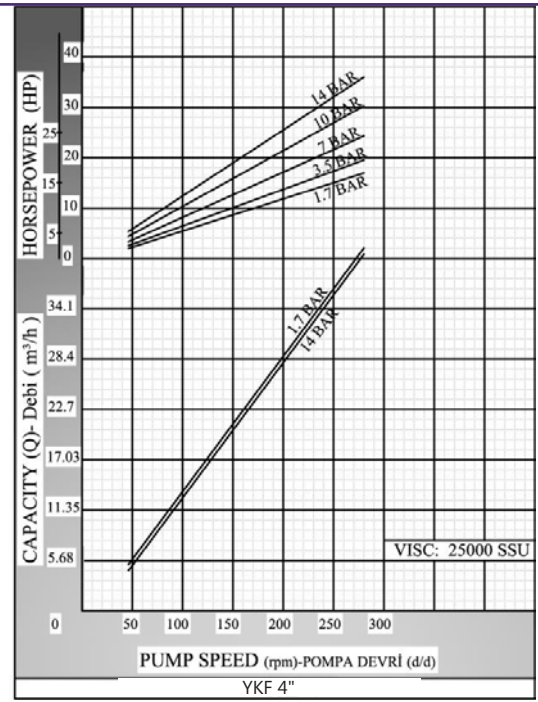
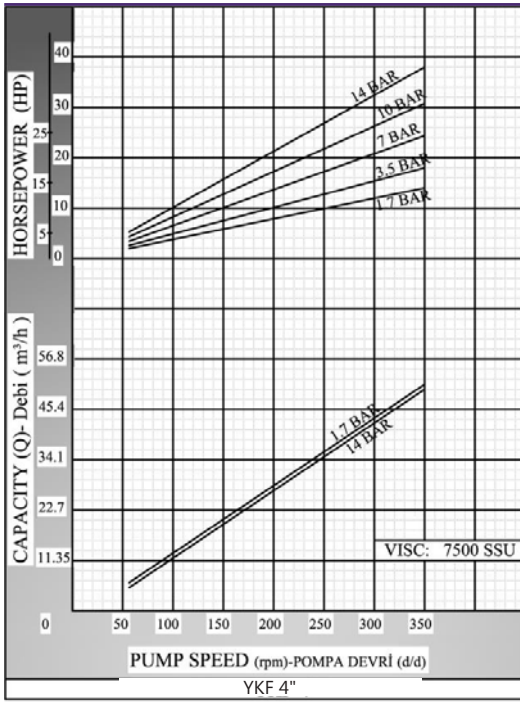
- ✓ Pump body, covers: Pig cast iron, Spheroidal cast iron, cast steel, AISI 304/316 CrNi Stainless Steel
- ✓ Gears: Spheroidal cast iron, cast steel, AISI 304/316 CrNi Stainless Steel
- ✓ Bearings: Snbz 12 bronze, carbon graphite, silicon carbide, hard metal coated steel, bearing
- ✓ Sealing: Soft seal or packing gland, Rotatherm seal, lip seal, mechanical seal, cartridge type mechanical seal

Capacity & Power Table						
Capacity (Q)	Speed (rpm)	Pressure				Viscosity
		2.5 Bar	5 Bar	7.5 Bar	10 Bar	
8	60	5.5 HP	5.5 HP	7.5 HP	7.5 HP	75000 SSU
10	80	7.5 HP	7.5 HP	10 HP	10 HP	25000 SSU
12	100	7.5 HP	10 HP	10 HP	10 HP	25000 SSU
34	250	15 HP	20 HP	25 HP	30 HP	25000 SSU
42	300	15 HP	20 HP	25 HP	30 HP	7500 SSU
50	350	15 HP	20 HP	25 HP	30 HP	2500 SSU
55	400	15 HP	20 HP	25 HP	30 HP	750 SSU



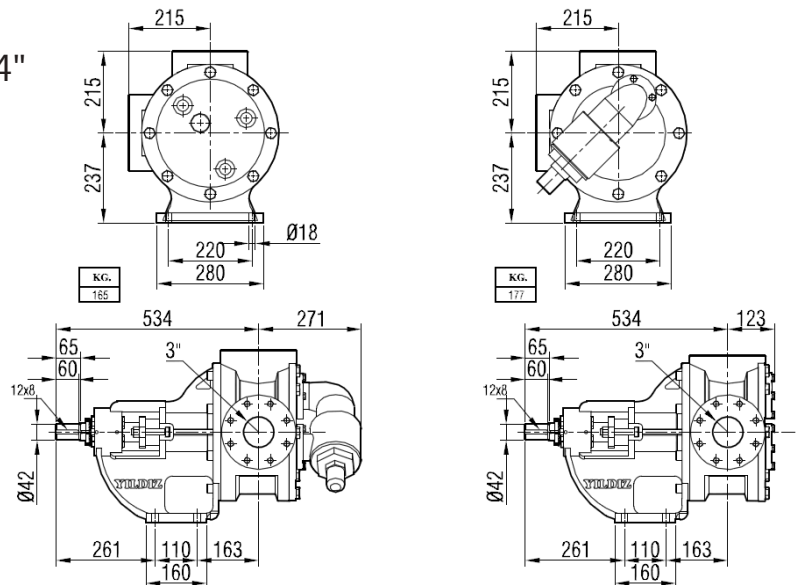
Pump Dimensions - Capacity Graphs:





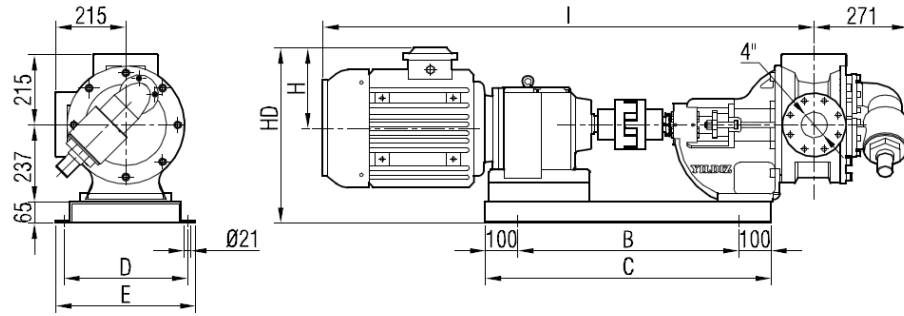
Pump Dimensions:

YKF 4"



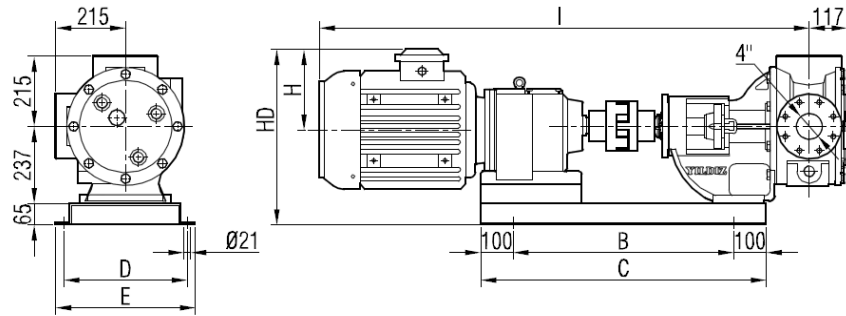
Coupling Dimensions - Gearbox drive:

YKF 3"



Motor Power & Speed			I	HD	H	B	C	D	E	Kg
15 hp / 11 kw	200/400 d/d (rpm)	IRAM72/C132M	1295	468	182	580	780	380	420	340
20 hp / 15 kw	130/400 d/d (rpm)	IRAM82/160L	1500	513	225	680	880	390	430	400
25 hp / 18.5 kw	159/400 d/d (rpm)	IRAM82/180M	1512	538	248					415
30 hp / 22 kw	55/400 d/d (rpm)	IRAM102/180L	1705	542	248	880	1080	480	520	670

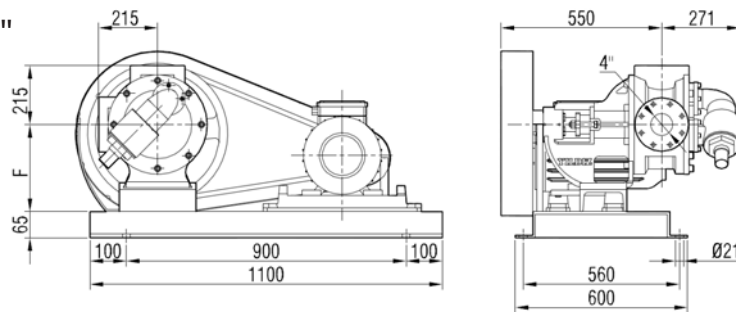
YKF 3"



Motor Power & Speed			I	HD	H	B	C	D	E	Kg
5.5 hp / 4 kw	55/95 d/d (rpm)	IRAM73/C100L	1202	427	141	580	780	380	420	290
7.5 hp / 5.5 kw	75/95 d/d (rpm)	IRAM73/C112M	1222	435	149					295
10 hp / 7.5 kw	93/104 d/d (rpm)	IRAM72/132M	1315	468	182					315
10 hp / 7.5 kw	57/91 d/d (rpm)	IRAM83/132M	1390	460		680	880	390	430	350
15 hp / 11 kw	40/57 d/d (rpm)	IRAM93/160M	1542	505	225	830	1030	420	460	460

Coupling Dimensions - Belt Pulley:

YKF 4"



Motor Power & Speed		Pump Speeds				F ¹	F ²	F ³	F ⁴	Kg
		n ¹ d/d	n ² d/d	n ³ d/d	n ⁴ d/d					
15 hp / 11 kw	MOTOR 160M	450	400	350	310	237	237	237	237	375
20 hp / 15 kw	MOTOR 160L									385
25 hp / 18.5 kw	MOTOR 180M									410
30 hp / 22 kw	MOTOR 180L									425

Spare Parts List - Sealed with soft seal, and pressure relief valve on cover:



No.	Part Name.	Qty.	No.	Part Name.	Qty.	No.	Part Name.	Qty.
1	Coupling Key 12x8x60 AB	1	15	Bracket	1	29	Valve	1
2	Lock Nut	1	16	Bracket & Cover Gasket	2	30	Spring	1
3	Lock Washer	1	17	Casing (w /90° Flanged Ports)	1	31	Washer	1
4	Spacer	1	18	Casing (w/ 90° Flanged & w/ Heating Jacket)	1	32	Bypass Cover	1
5	Adjusting Nut	2	19			33	Cap O-Ring	1
6	Lip Seal $\phi 55 \times \phi 72 \times 10$	1	20	Rotor Gear	1	34	Nut M16	1
7	Ball Bearing (3209)	1	21	Idler Gear	1	35	Adjusting Screw M16x90	1
8	Lip Seal $\phi 50 \times \phi 72 \times 10$	1	22	Idler Bushing	1	36	Cap	1
9	Packing Press	1	23	Cover Pin	1	37	Greasing Fitting R3/8"	1
10	Soft Seal / Packing Gland	1 TK	24	Cover	1	38	Grub Screw M12x90	4
11	Bracket Bushing	1	25	Bypass Gasket	2	39	Nut M14	2
12	Shaft	1	26	Pressure Relief Valve - Bypass	1	40	Square Screw M14x90	2
13	Rotor Key 12x8x45 A	1	27	Hex Bolt M10x30	8	41	Bracket (w/ Heating Jacket)	1
14	Hex Bolt M16x40	16	28	Bypass O-Ring	1			

Spare Parts List - Sealed with soft seal, jacketed, and with blind cover:



No.	Part Name.	Qty.	No.	Part Name.	Qty.	No.	Part Name.	Qty.
1	Coupling Key 12x8x60 AB	1	13	Rotor Key 12x8x45 A	1	25	Cover	1
2	Lock Nut	1	14	Inbus Bolt M16x40	16	26	Jacketed Cover	1
3	Lock Washer	1	15	Bracket	1	27	Bypass Gasket	2
4	Spacer	1	16	Bracket & Cover Gasket	2	28	Bypass Inlets Cover	2
5	Adjusting Nut	2	17	Casing (w/ 90° Flanged Ports)	1	29	Hex Bolt M10x30	8
6	Lip Seal $\phi 55 \times \phi 72 \times 10$	1	18	Casing (w/ 90° Flanged Ports & w/ Heating Jacket)	1	30	Greasing Fitting R3/8"	1
7	Ball Bearing (3209)	1	19			31	Grub Screw M12x16	4
8	Lip Seal $\phi 50 \times \phi 72 \times 10$	1	20	Rotor Gear	1	32	Nut M14	2
9	Packing Press	1	21	Idler Gear	1	33	Square Screw M14x90	2
10	Soft Seal / Packing Gland	1 TK	22	Idler Bushing	1	34	Bracket (w/ Heating Jacket)	1
11	Bracket Bushing	1	23	Cover Pin	1			
12	Shaft	1	24	Jacketed Cover Pin	1			

Spare Parts List - Sealed with mechanical seal, and pressure relief valve on cover:



No.	Part Name.	Qty.	No.	Part Name.	Qty.	No.	Part Name.	Qty.
1	Coupling Key 12x8x60 AB	1	15	Hex Bolt M16x40	16	29	Bypass O-Ring	1
2	Lock Nut	1	16	Bracket (w/ Adjusting Nut & Mechanical Seal)	1	30	Valve	1
3	Lock Washer	1	17	Bracket & Cover Gasket	2	31	Spring	1
4	Spacer	1	18	Casing	1	32	Washer	1
5	Adjusting Nut	2	19	Casing (90° Flanged w/ Heating Jacket)	1	33	Bypass Cover	1
6	Lip Seal $\phi 55 \times 72 \times 10$	1	20	_____	_____	34	Cap O-Ring	1
7	Ball Bearing (3209)	1	21	Rotor Gear	1	35	Nut M16	1
8	Lip Seal $\phi 50 \times 72 \times 10$	1	22	Idler Gear	1	36	Adjusting Screw M16x90	1
9	Internal Circlip ($\phi 90$)	1	23	Idler Bushing	1	37	Cap	1
10	Lip Seal $\phi 50 \times 90 \times 10$	1	24	Cover Pin	1	38	Grease Fitting R3/8"	2
11	Bearing (3210)	1	25	Cover	1	39	Grub Screw M12x16	4
12	Mechanical Seal $\phi 50$	1	26	Bypass Gasket	2	40	Bracket (w/ Heating Jacket)	1
13	Shaft	1	27	Pressure Relief Valve - Bypass	1			
14	Rotor Key 12x8x45 A	1	28	Hex Bolt M10x30	8			

Spare Parts List - Sealed with mechanical seal, jacketed, and with blind cover:



No.	Part Name.	Qty.	No.	Part Name.	Qty.	No.	Part Name.	Qty.
1	Coupling Key 12x8x60 AB	1	12	Mechanical Seal $\phi 50$	1	23	Idler Bushing	1
2	Lock Nut	1	13	Shaft	1	24	Cover Pin	1
3	Lock Washer	1	14	Rotor Key 12x8x45 A	1	25	Jacketed Cover Pin	1
4	Spacer	1	15	Hex Bolt M16x40	16	26	Cover	1
5	Adjusting Nut	2	16	Bracket	1	27	Jacketed Cover	1
6	Lip Seal $\phi 55 \times 72 \times 10$	1	17	Bracket & Cover Gasket	2	28	Bypass Gasket	2
7	Ball Bearing (3209)	1	18	Casing (w/ 90° Flanged Ports)	1	29	Bypass Inlets Cover	2
8	Lip Seal $\phi 50 \times 72 \times 10$	1	19	Casing (w/ 90° Flanged Ports & w/ Heating Jacket)	1	30	Hex Bolt M10x30	8
9	Internal Circlip ($\phi 90$)	1	20	_____	_____	31	Greasing Fitting R3/8"	2
10	Lip Seal $\phi 50 \times 90 \times 10$	1	21	Rotor Gear	1	32	Grub Screw M12x16	4
11	Bearing (3210)	1	22	Idler Gear	1	33	Bracket (w/ Heating Jacket)	1

Spare Parts List - Sealed with lip seal, jacketed and with blind cover:



No.	Part Name.	Qty.	No.	Part Name.	Qty.	No.	Part Name.	Qty.
1	Coupling Key 12x8x60 AB	1	12	Shaft	1	23	Cover Pin	1
2	Lock Nut	1	13	Rotor Key 12x8x45 A	1	24	Jacketed Cover Pin	1
3	Lock Washer	1	14	Hex Bolt M16x40	16	25	Cover	1
4	Spacer	1	15	Bracket	1	26	Jacketed Cover	1
5	Adjusting Nut	2	16	Bracket & Cover Gasket	2	27	Bypass Gasket	2
6	Lip Seal $\phi 55 \times \phi 72 \times 10$	1	17	Casing (w/ 90° Flanged Ports)	1	28	Bypass Inlets Cover	2
7	Ball Bearing (3209)	1	18	Casing (w/ 90° Flanged Ports & w/ Heating Jacket)	1	29	Hex Bolt M10x30	8
8	Lip Seal $\phi 50 \times \phi 72 \times 10$	1	19			30	Greasing Fitting R3/8"	1
9	Internal Circlip ($\phi 70$)	1	20	Rotor Gear	1	31	Grub Screw M12x16	4
10	Lip Seal $\phi 50 \times \phi 70 \times 10$	4	21	Idler Gear	1	32	Bracket (w/ Heating Jacket)	1
11	Bracket Bushing	1	22	Idler Bushing	1			

Spare Parts List - Sealed with cartex mechanical seal, and pressure relief valve on cover:



No.	Part Name.	Qty.	No.	Part Name.	Qty.	No.	Part Name.	Qty.
1	Coupling Key 12x8x60 AB	1	14	Hex Socket M16x40	16	27	Hex Bolt M10x30	8
2	Lock Nut	1	15	Bracket (w/ Cartex Mech. Seal)	1	28	Bypass O-Ring	1
3	Lock Washer	1	16	Bracket & Cover Gasket	2	29	Valve	1
4	Spacer	2	17	Casing (w /90° Flanged Ports)	1	30	Spring	1
5	Pulley Cover	1	18	Casing (w/ 90° Flanged Ports & w/ Heating Jacket)	1	31	Washer	1
6	Lip Seal $\phi 55 \times \phi 72 \times 10$	2	19			32	Bypass Cover	1
7	Ball Bearing (3209)	1	20	Rotor Gear	1	33	Cap O-Ring	1
8	Grub Screw M8x20	4	21	Idler Gear	1	34	Nut M16	1
9	Pulley	1	22	Idler Bushing	1	35	Adjusting Screw M16x90	1
10	Cartex Mechanical Seal $\phi 50$	1	23	Cover Pin	1	36	Cap	1
11	Bracket Bushing	1	24	Cover	1	37	Greasing Fitting R3/8"	1
12	Shaft	1	25	Bypass Gasket	2	38	Nut M14	2
13	Rotor Key 12x8x45 A	1	26	Pressure Relief Valve - Bypass	1	39	Square Screw M14x90	2

Spare Parts List - Sealed with cartex mechanical seal, jacketed and with blind cover:



No.	Part Name.	Qty.	No.	Part Name.	Qty.	No.	Part Name.	Qty.
1	Coupling Key 12x8x60 AB	1	12	Shaft	1	23	Cover Pin	1
2	Lock Nut	1	13	Rotor Key 12x8x45 A	1	24	Jacketed Cover Pin	1
3	Lock Washer	1	14	Hex Bolt M16x40	16	25	Cover	1
4	Spacer	2	15	Bracket (w/ Cartex Mech. Seal)	1	26	Jacketed Cover	1
5	Pulley Cover	1	16	Bracket & Cover Gasket	2	27	Bypass Gasket	2
6	Lip Seal ø55xø72x10	2	17	Casing (w/ 90° Flanged Ports)	1	28	Bypass Inlets Cover	2
7	Ball Bearing (3209)	1	18	Casing (w/ 90° Flanged Ports & w/ Heating Jacket)	1	29	Hex Bolt M10x30	8
8	Grub Screw M8x20	4	19	_____	30	Greasing Fitting R3/8"	1	
9	Pulley	1	20	Rotor Gear	1	31	Nut M14	2
10	Cartex Mechanical Seal Ø50	1	21	Idler Gear	1	32	Square Screw M14x90	2
11	Bracket Bushing	1	22	Idler Bushing	1			



YKF 5" Internal Eccentric Gear Pump



Performance:

Flow rate	110 m ³ /h
Pressure	1 - 10 bar
Temperature	0 - 200 °C
Speed	350 d/d
Viscosity	100 - 250000 SSU

Technical Features:

- ✓ Internal eccentric gear pump
- ✓ 5" flanged ports
- ✓ Compact design
- ✓ Reliable construction thanks to only two moving parts
- ✓ Various material options
- ✓ Available with external bypass, jacketed and blind cover
- ✓ 230v, three phase 50/60hz motors available
- ✓ Gearbox drive
- ✓ Manufactured according to CE regulations

Applications:

- ✓ Fuel oil, diesel fuel and gas oil transfer
- ✓ Small scale thermal oil applications including Marlotherm, Duratherm, Paratherm, Multitherm, Mobiltherm and Dowtherm
- ✓ Lubrication applications
- ✓ Coolant transfer
- ✓ Any transfer of low to medium viscosity fluids with lubricating properties
- ✓ Not suitable for fluids containing abrasive particles

Material Options:

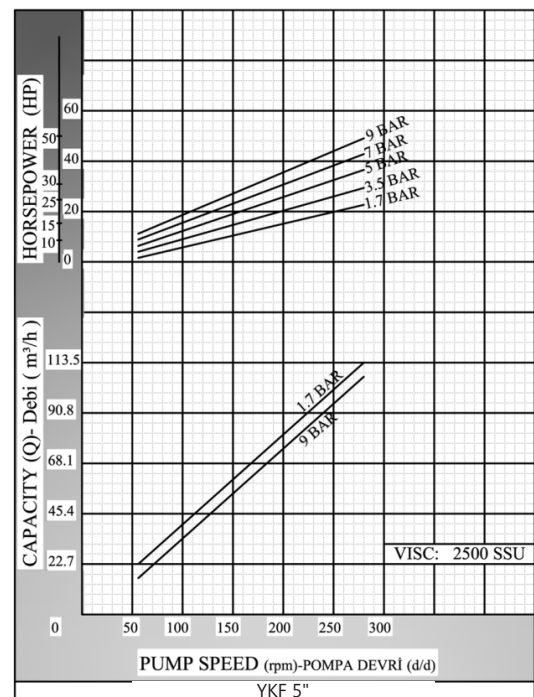
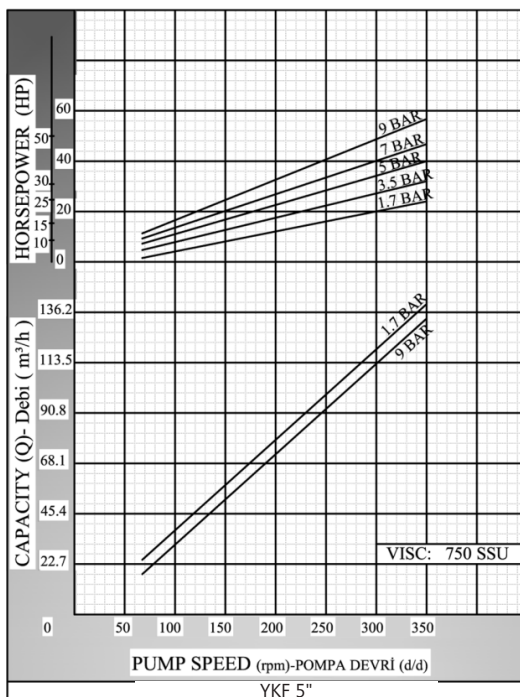
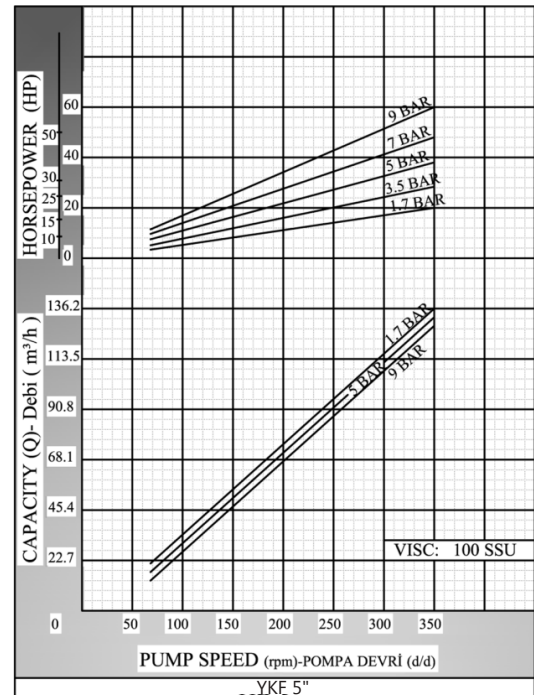
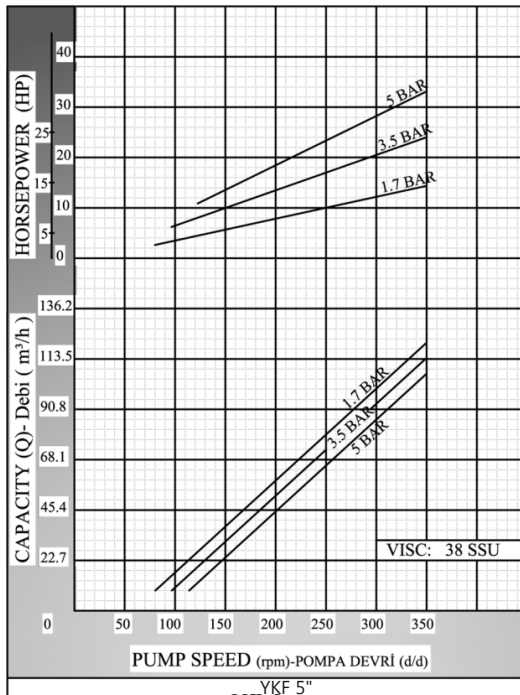
- ✓ Pump casings: Pig cast iron, Spheroidal cast iron, cast steel, AISI 304/316 CrNi Stainless Steel
- ✓ Gears: Spheroidal cast iron, cast steel, AISI 304/316 CrNi Stainless Steel
- ✓ Bearings: Snbz 12 bronze, ball bearing, carbon graphite, silicon carbide, hard metal coated steel
- ✓ Sealing: Soft seal or packing gland, Rotatherm seal, lip seal, mechanical seal, cartridge type mechanical seal

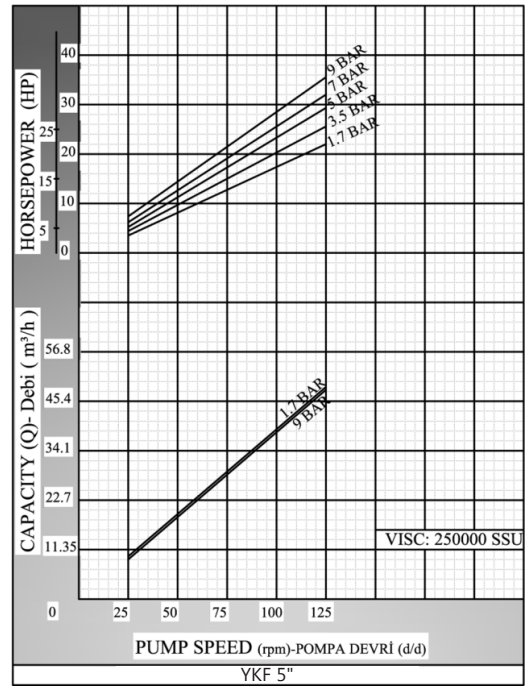
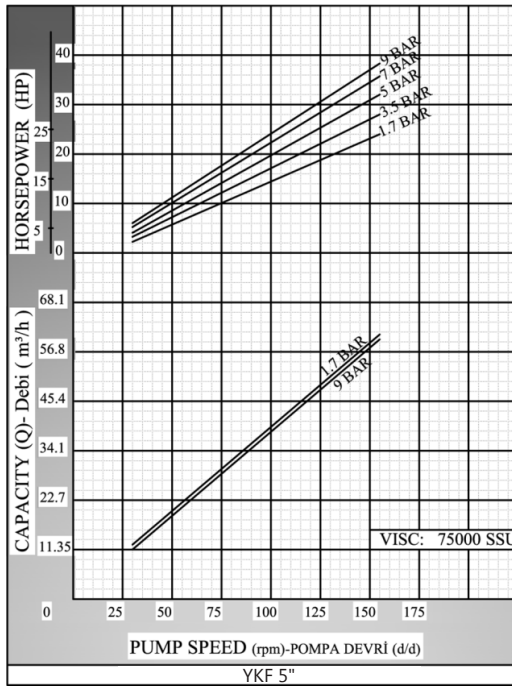
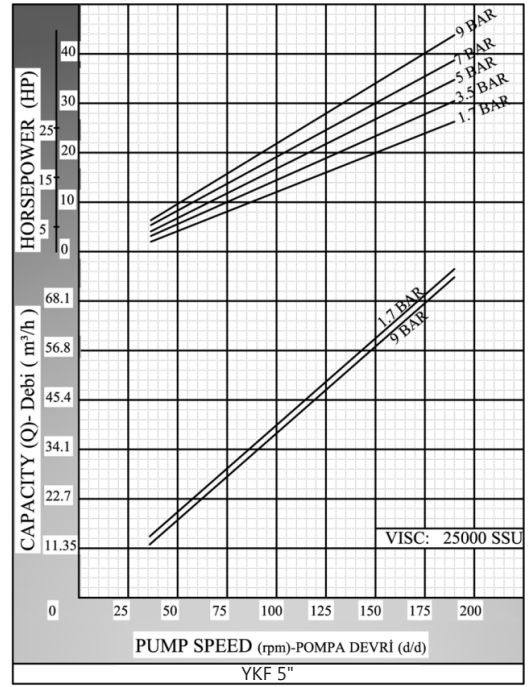
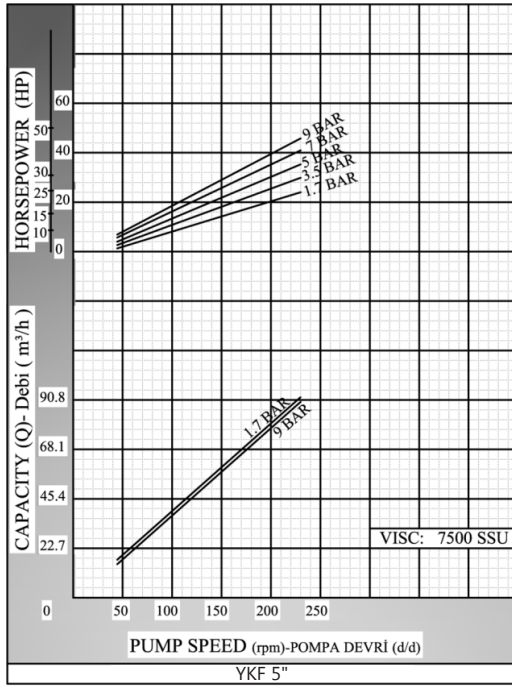
Capacity & Power Table						
Capacity (Q)	Speed (rpm)	Pressure				Viscosity
		3 Bar	5 Bar	7 Bar	9 Bar	
68	175	30 HP	40 HP	40 HP	50 HP	25000 SSU
90	225	30 HP	40 HP	40 HP	50 HP	7500 SSU
105	275	30 HP	40 HP	50 HP	60 HP	2500 SSU
135	350	30 HP	40 HP	50 HP	60 HP	750 SSU



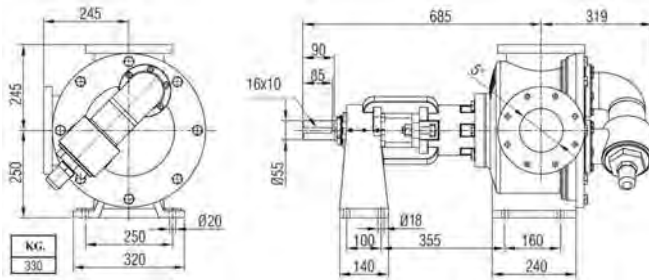


Pump Dimensions - Capacity Graphs:

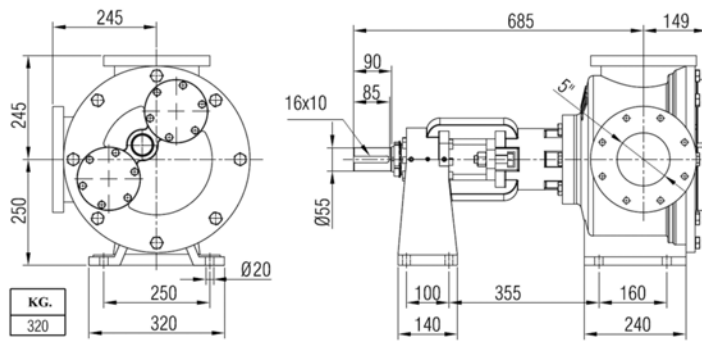




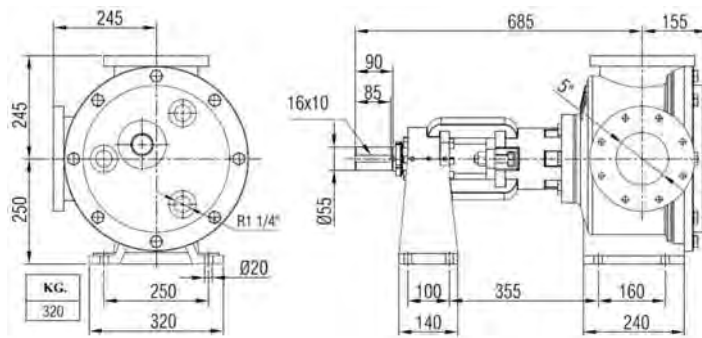
Pump Dimensions - Bypassed:



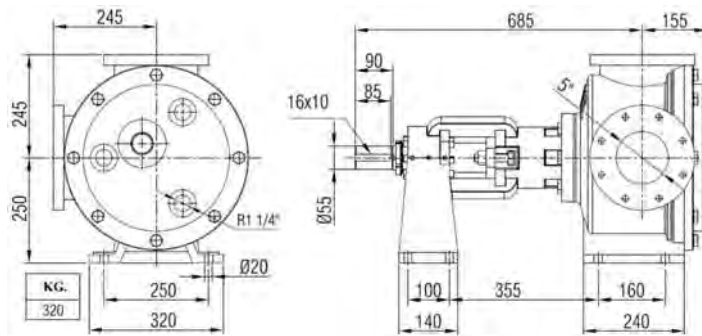
Pump Dimensions - Blind covered:



Pump Dimensions - with jacket:

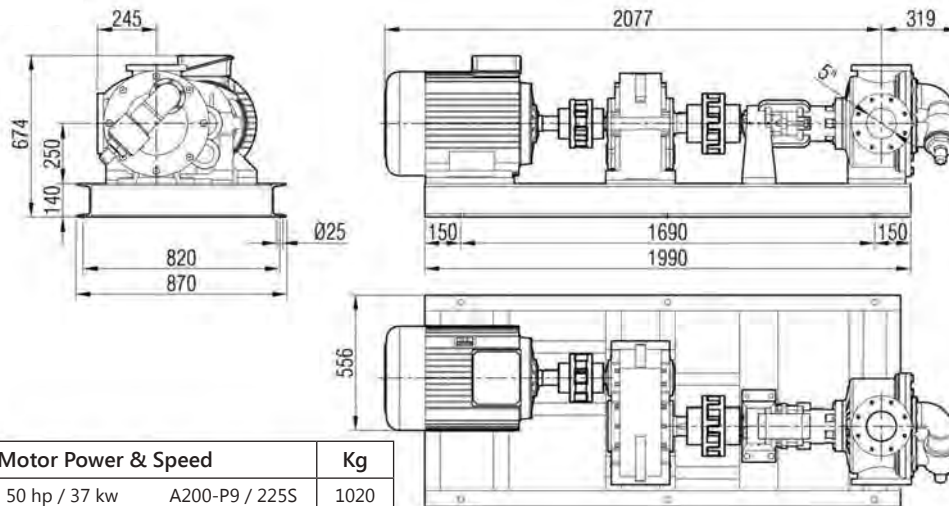


Pump Dimensions - Gearbox drive:



Motor Power & Speed			I	HD	H	B	C	D	E	Kg
25 hp / 18.5 kw	145/350 d/d (rpm)	IRAM82/180M	1665	626	248	1040	1240	430	480	600
30 hp / 22 kw	105/350 d/d (rpm)	IRAM92/180L	1783	617		1110	1310			720
40 hp / 30 kw	204/350 d/d (rpm)	IRAM92/200L	1822	644	275					755
50 hp / 37 kw	89/350 d/d (rpm)	IRAM102/225S	1913	654	285	1200	1400	520	570	900
60 hp / 45 kw	113/350 d/d (rpm)	IRAM102/225M	1942							1005





Motor Power & Speed		Kg
50 hp / 37 kw	A200-P9 / 225S	1020
60 hp / 45 kw	A200-P9 / 225M	1044

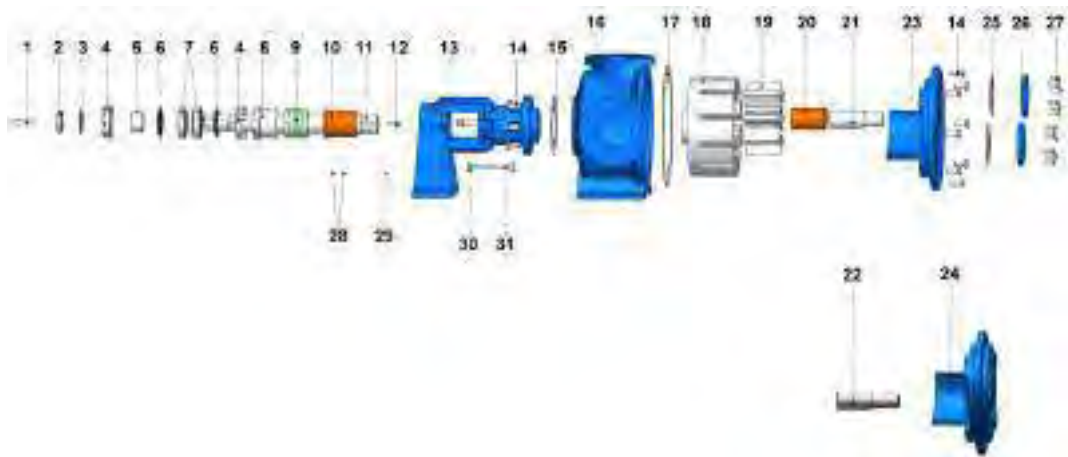


Spare Parts List - Sealed with soft seal, and bypassed with pressure relief valve:



No.	Part Name.	Qty.	No.	Part Name.	Qty.	No.	Part Name.	Qty.
1	Coupling Key 16x10x85 AB	1	14	Hex Bolt M16x40	14	27	Valve	1
2	Lock Nut	1	15	Bracket Gasket	1	28	Spring	1
3	Lock Washer	1	16	Casing (w/ 90° Flanged Ports)	1	29	Washer	1
4	Adjusting Nut	2	17	Bracket Gasket	1	30	Bypass Cover	1
5	Spacer (Adjusting Nut)	1	18	Rotor Gear	1	31	Cap O-Ring	1
6	Lip Seal ø70xø95x10	2	19	Idler Gear	1	32	Nut M16	3
7	Ball Bearing (32212)	2	20	Idler Bushing	1	33	Adjusting Screw M16x90	1
8	Packing Press	1	21	Cover Pin	1	34	Cap	1
9	Soft Seal Packing Gland	1 TK	22	Cover	1	35	Grub Screw M12x20	4
10	Bracket Bushing	1	23	Bypass Gasket	2	36	Greasing Fitting R3/8"	1
11	Shaft	1	24	Pressure Relief Valve - Bypass	1	37	Square Screw M16x120	2
12	Rotor Key 12x8x55 A	1	25	Hex Bolt M10x30	12			
13	Bracket	1	26	Bypass O-Ring	1			

Spare Parts List - Sealed with soft seal, jacketed, and with blind cover:



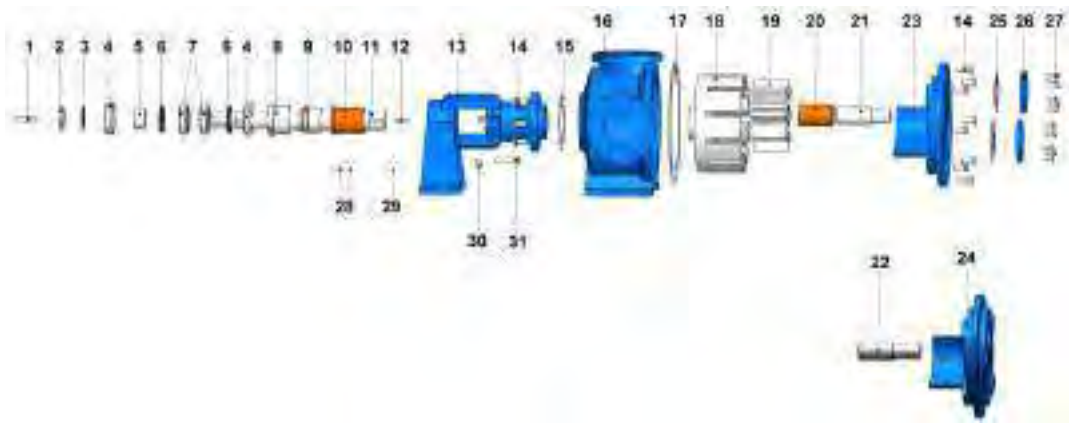
No.	Part Name.	Qty.	No.	Part Name.	Qty.	No.	Part Name.	Qty.
1	Coupling Key 16x10x85 AB	1	12	Rotor Key 12x8x55 A	1	23	Cover	1
2	Lock Nut	1	13	Bracket	1	24	Jacketed Cover	1
3	Lock Washer	1	14	Hex Bolt M16x40	14	25	Bypass Gasket	2
4	Adjusting Nut	2	15	Bracket Gasket	1	26	Pressure Relief Valve - Bypass	2
5	Spacer (Adjusting Nut)	1	16	Casing (w/ 90° Flanged Ports)	1	27	Hex Bolt M10x30	12
6	Lip Seal $\varnothing 70 \times \varnothing 95 \times 10$	2	17	Bracket Gasket	1	28	Grub Screw M12x20	4
7	Ball Bearing (32212)	2	18	Rotor Gear	1	29	Greasing Fitting R3/8"	1
8	Packing Press	1	19	Idler Gear	1	30	Nut M16	2
9	Soft Seal / Packing Gland	1 TK	20	Idler Bushing	1	31	Square Screw M16x120	2
10	Bracket Bushing	1	21	Cover Pin	1			
11	Shaft	1	22	Jacketed Cover Pin	1			

Spare Parts List - Sealed with mechanical seal, and bypassed with pressure relief valve:



No.	Part Name.	Qty.	No.	Part Name.	Qty.	No.	Part Name.	Qty.
1	Coupling Key 16x10x85 AB	1	14	Hex Bolt M16x40	14	27	Valve	1
2	Lock Nut	1	15	Bracket Gasket	1	28	Spring	1
3	Lock Washer	1	16	Casing (w/ 90° Flanged Ports)	1	29	Washer	1
4	Adjusting Nut	2	17	Bracket Gasket	1	30	Bypass Cover	1
5	Spacer (Adjusting Nut)	1	18	Rotor Gear	1	31	Cap O-Ring	1
6	Lip Seal $\varnothing 70 \times \varnothing 95 \times 10$	2	19	Idler Gear	1	32	Nut M16	3
7	Ball Bearing (32212)	2	20	Idler Bushing	1	33	Adjusting Screw M16x90	1
8	Packing Press (For Mech. Seal)	1	21	Cover Pin	1	34	Cap	1
9	Mechanical Seal $\varnothing 70$	1	22	Cover	1	35	Grub Screw M12x20	4
10	Bracket Bushing	1	23	Bypass Gasket	2	36	Greasing Fitting R3/8"	1
11	Shaft	1	24	Pressure Relief Valve - Bypass	1	37	Square Screw M16x70	2
12	Rotor Key 12x8x55 A	1	25	Hex Bolt M10x30	12			
13	Bracket	1	26	Bypass O-Ring	1			

Spare Parts List - Sealed with mechanical seal, jacketed and with blind cover:



No.	Part Name.	Qty.	No.	Part Name.	Qty.	No.	Part Name.	Qty.
1	Coupling Key 16x10x85 AB	1	12	Rotor Key 12x8x55 A	1	23	Cover	1
2	Lock Nut	1	13	Bracket	1	24	Jacketed Cover	1
3	Lock Washer	1	14	Hex Bolt M16x40	14	25	Bypass Gasket	2
4	Adjusting Nut	2	15	Bracket Gasket	1	26	Pressure Relief Valve - Bypass	2
5	Spacer (Adjusting Nut)	1	16	Casing (w/ 90° Flanged Ports)	1	27	Hex Bolt M10x30	12
6	Lip Seal $\varnothing 70 \times \varnothing 95 \times 10$	2	17	Bracket Gasket	1	28	Grub Screw M12x20	4
7	Ball Bearing (32212)	2	18	Rotor Gear	1	29	Greasing Fitting R3/8"	1
8	Packing Press (For Mech. Seal)	1	19	Idler Gear	1	30	Nut M16	2
9	Mechanical Seal $\varnothing 70$	1	20	Idler Bushing	1	31	Square Screw M16x70	2
10	Bracket Bushing	1	21	Cover Pin	1			
11	Shaft	1	22	Jacketed Cover Pin	1			

Spare Parts List - Sealed with cartex mechanical seal, jacketed and with blind cover:



No.	Part Name.	Qty.	No.	Part Name.	Qty.	No.	Part Name.	Qty.
1	Coupling Key 12x8x60 AB	1	12	Shaft	1	23	Cover Pin	1
2	Lock Nut	1	13	Rotor Key 12x8x45 A	1	24	Jacketed Cover Pin	1
3	Lock Washer	1	14	Hex Bolt M16x40	16	25	Cover	1
4	Spacer	2	15	Bracket (w/ Cartex Mech. Seal)	1	26	Jacketed Cover	1
5	Pulley Cover	1	16	Bracket & Cover Gasket	2	27	Bypass Gasket	2
6	Lip Seal ø55xø72x10	2	17	Casing (w/ 90° Flanged Ports)	1	28	Bypass Inlets Cover	2
7	Ball Bearing (3209)	1	18	Casing (w/ 90° Flanged Ports & w/ Heating Jacket)	1	29	Hex Bolt M10x30	8
8	Grub Screw M8x20	4	19	_____	30	Greasing Fitting R3/8"	1	
9	Pulley	1	20	Rotor Gear	1	31	Nut M14	2
10	Cartex Mechanical Seal Ø50	1	21	Idler Gear	1	32	Square Screw M14x90	2
11	Bracket Bushing	1	22	Idler Bushing	1			



YKF 6" Internal Eccentric Gear Pump



Performance:

Flow rate	135 m ³ /h
Pressure	1 - 10 bar
Temperature	0 - 200 °C
Speed	350 d/d
Viscosity	100 - 250000 SSU

Technical Features:

- ✓ Internal eccentric gear pump
- ✓ 6" flanged threaded connections
- ✓ Compact design
- ✓ Reliable construction thanks to only two moving parts
- ✓ Various material options
- ✓ Available with external bypass, jacketed and blind cover
- ✓ 230v, three phase 50/60hz motors available
- ✓ Gearbox drive
- ✓ Manufactured according to CE regulations

Applications:

- ✓ Fuel oil, diesel fuel and gas oil transfer
- ✓ Small scale thermal oil applications including Marlotherm, Duratherm, Paratherm, Multitherm, Mobiltherm and Dowtherm
- ✓ Lubrication applications
- ✓ Coolant transfer
- ✓ Any transfer of low to medium viscosity fluids with lubricating properties
- ✓ Not suitable for fluids containing abrasive particles

Material Options:

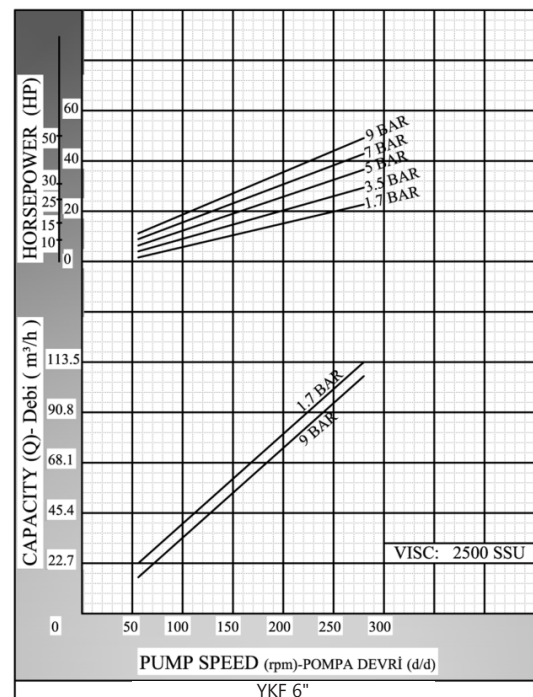
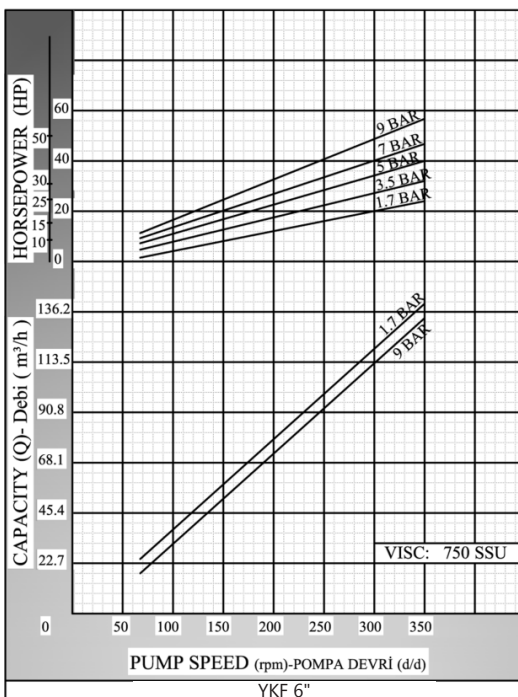
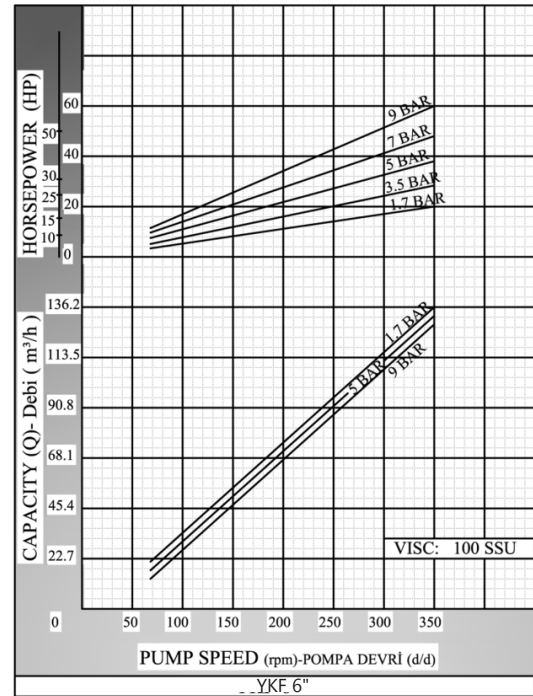
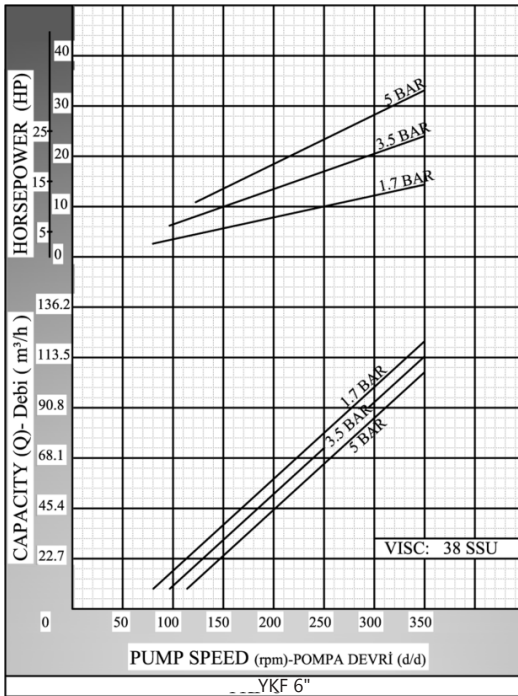
- ✓ Pump casings: Pig cast iron, Spheroidal cast iron, cast steel, AISI 304/316 CrNi Stainless Steel
- ✓ Gears: Spheroidal cast iron, cast steel, AISI 304/316 CrNi Stainless Steel
- ✓ Bearings: Snbz 12 bronze, ball bearing, carbon graphite, silicon carbide, hard metal coated steel
- ✓ Sealing: Soft seal or packing gland, Rotatherm seal, lip seal, mechanical seal, cartridge type mechanical seal

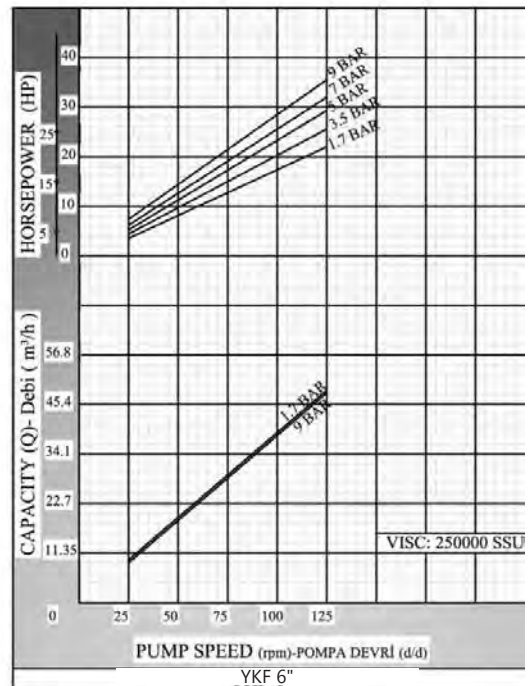
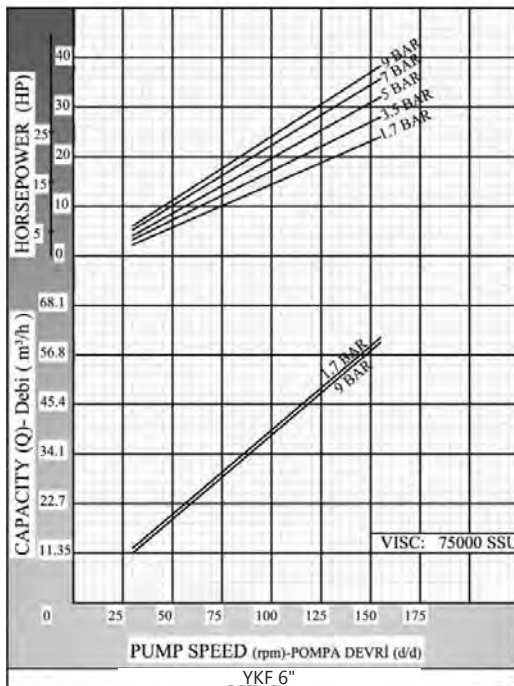
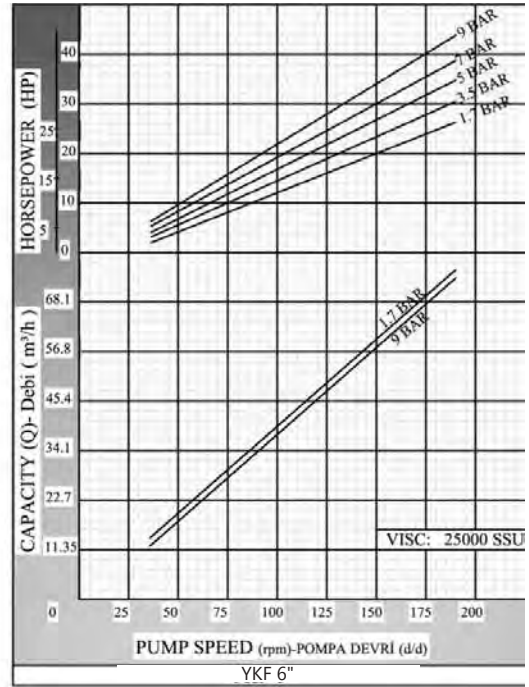
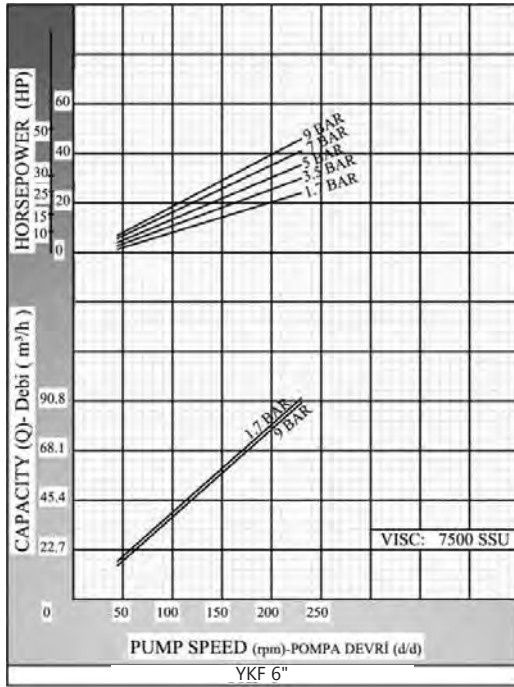


Capacity & Power Table						
Capacity (Q)	Speed (rpm)	Pressure				Viscosity
		3 Bar	5 Bar	7 Bar	9 Bar	
46	125	25 HP	30 HP	40 HP	40 HP	250000 SSU
58	150	30 HP	40 HP	40 HP	40 HP	75000 SSU
68	175	30 HP	40 HP	40 HP	50 HP	25000 SSU
90	225	30 HP	40 HP	50 HP	50 HP	7500 SSU

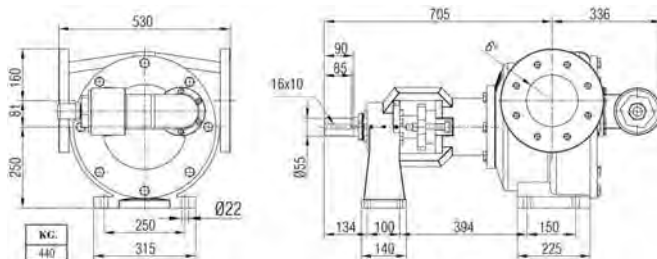


Pump Dimensions - Capacity Graphs:

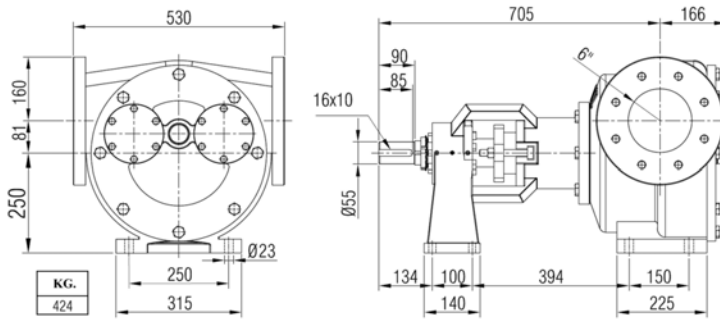




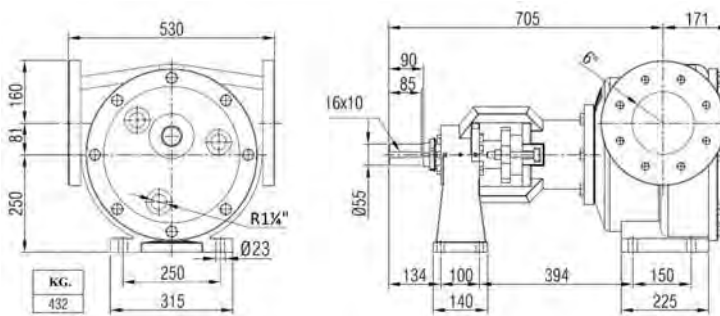
Pump Dimensions - Bypassed:



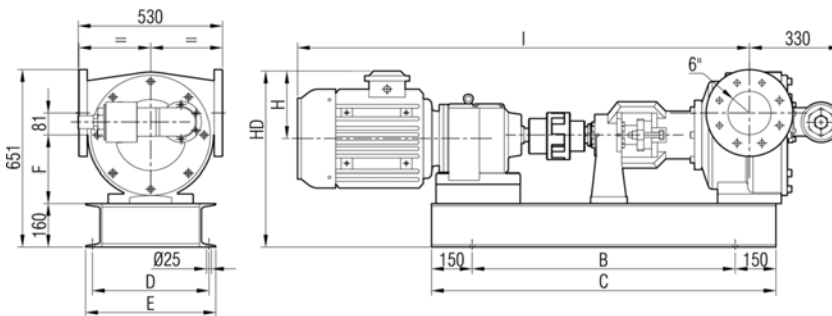
Pump Dimensions - Blind covered:



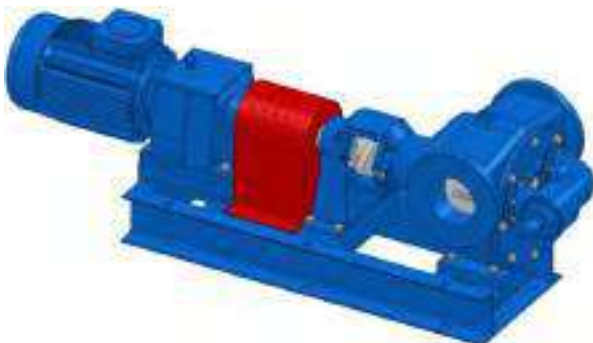
Pump Dimensions - with jacket:

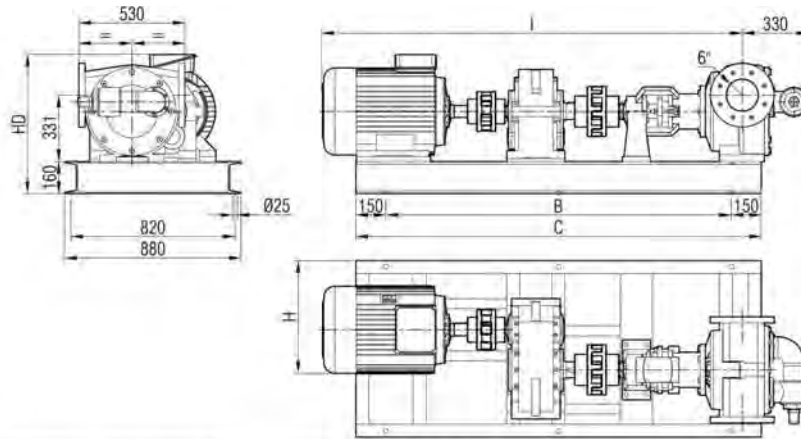


Pump Dimensions - Gearbox drive:



Motor Power & Speed			I	HD	H	B	C	D	E	F	Kg
25 hp / 18.5 kw	145/350 d/d (rpm)	IRAM82/180M	1679	646	248	970	1270	430	490	250	700
30 hp / 22 kw	105/350 d/d (rpm)	IRAM92/180L	1796	637		1050	1350				810
40 hp / 30 kw	204/350 d/d (rpm)	IRAM92/200L	1835	664	275	1130	1430	520	580		850
50 hp / 37 kw	89/350 d/d (rpm)	IRAM102/225S	1926	674	285	1130	1430	520	580		1005
60 hp / 45 kw	113/350 d/d (rpm)	IRAM102/225M	1950								1106





Motor Power & Speed		I	HD	H	B	C	Kg
50 hp / 37 kw	A200-P9 / 225S	2096	694	561	1725	2025	1135
60 hp / 45 kw	A200-P9 / 225M						1159
75 hp / 55 kw	A200-P9 / 250M	2196	731	596	1785	2085	1265



Spare Parts List - Sealed with soft seal, and bypassed with pressure relief valve:



No.	Part Name.	Qty.	No.	Part Name.	Qty.	No.	Part Name.	Qty.
1	Coupling Key 16x10x85 AB	1	14	Hex Bolt M16x40	14	27	Valve	1
2	Lock Nut	1	15	Bracket Gasket	1	28	Spring	1
3	Lock Washer	1	16	Casing	1	29	Washer	1
4	Spacer	1	17	Bracket Gasket	1	30	Bypass Cover	1
5	(Adjusting Nut)	2	18	Rotor Gear	1	31	Cap O-Ring	1
6	Lip Seal $\phi 70 \times \phi 95 \times 10$	2	19	Idler Gear	1	32	Nut M16	3
7	Ball Bearing (32212)	2	20	Idler Bushing	1	33	Adjusting Screw M16x90	1
8	Packing Press	1	21	Cover Pin	1	34	Cap	1
9	Soft Seal / Packing Gland	1 TK	22	Cover	1	35	Grub Screw M12x20	4
10	Bracket Bushing	1	23	Bypass Gasket	2	36	Greasing Fitting R3/8"	1
11	Shaft	1	24	Pressure Relief Valve - Bypass	1	37	Square Screw M16x120	2
12	Rotor Key 12x8x55 A	1	25	Hex Bolt M10x30	12			
13	Bracket	1	26	Bypass O-Ring	1			

Spare Parts List - Sealed with soft seal, jacketed, and with blind cover:



No.	Part Name.	Qty.	No.	Part Name.	Qty.	No.	Part Name.	Qty.
1	Coupling Key 16x10x85 AB	1	12	Rotor Key 12x8x55 A	1	23	Cover	1
2	Lock Nut	1	13	Bracket	1	24	Jacketed Cover	1
3	Lock Washer	1	14	Hex Bolt M16x40	14	25	Bypass Gasket	2
4	Spacer	1	15	Bracket Gasket	1	26	Bypass Inlets Cover	2
5	Adjusting Nut	2	16	Casing	1	27	Hex Bolt M10x30	12
6	Lip Seal $\phi 70 \times \phi 95 \times 10$	2	17	Bracket Gasket	1	28	Grub Screw M12x20	4
7	Ball Bearing (32212)	2	18	Rotor Gear	1	29	Greasing Fitting R3/8"	1
8	Packing Press	1	19	Idler Gear	1	30	Nut M16	2
9	Soft Seal / Packing Gland	1 TK	20	Idler Bushing	1	31	Square Screw M16x120	2
10	Bracket Bushing	1	21	Cover Pin	1			
11	Shaft	1	22	Jacketed Cover Pin	1			

Spare Parts List - Sealed with mechanical seal, and bypassed with pressure relief valve:



No.	Part Name.	Qty.	No.	Part Name.	Qty.	No.	Part Name.	Qty.
1	Coupling Key 16x10x85 AB	1	14	Rotor Key 12x8x55 A	14	27	Hex Bolt M10x30	1
2	Lock Nut	1	15	Bracket	1	28	Bypass O-Ring	1
3	Lock Washer	1	16	Hex Bolt M16x40	1	29	Valve	1
4	Spacer	2	17	Bracket Gasket	1	30	Spring	1
5	Adjusting Nut	1	18	Casing	1	31	Washer	1
6	Lip Seal $\phi 70 \times \phi 95 \times 10$	2	19	Bracket Gasket	1	32	Bypass Cover	3
7	Ball Bearing (32212)	2	20	Rotor Gear	1	33	Cap O-Ring	1
8	Internal Circlip ($\phi 150$)	1	21	Idler Gear	1	34	Nut M16	1
9	Bushing For Mechanical Seal	1	22	Idler Bushing	1	35	Adjusting Screw M16x90	4
10	Lip Seal $\phi 70 \times \phi 110 \times 13$	1	23	Cover Pin	2	36	Cap	1
11	Ball Bearing (2314)	1	24	Cover	1	37	Grub Screw M12x20	2
12	Mechanical Seal $\phi 70$	1	25	Bypass Gasket	12	38	Greasing Fitting R3/8"	
13	Shaft	1	26	Pressure Relief Valve - Bypass	1			

Spare Parts List - Sealed with mechanical seal, jacketed and with blind cover:



No.	Part Name.	Qty.	No.	Part Name.	Qty.	No.	Part Name.	Qty.
1	Coupling Key 16x10x85 AB	1	12	Mechanical Seal Ø70	1	23	Cover Pin	1
2	Lock Nut	1	13	Shaft	1	24	Cover Pin (For Jacket)	1
3	Lock Washer	1	14	Rotor Key 12x8x55 A	14	25	Cover	2
4	Spacer	2	15	Bracket	1	26	Jacketed Cover	2
5	Adjusting Nut	1	16	Hex Bolt M16x40	1	27	Bypass Gasket	12
6	Lip Seal ø70xø95x10	2	17	Bracket Gasket	1	28	Bypass Inlets Cover	4
7	Ball Bearing (32212)	2	18	Casing	1	29	Hex Bolt M10x30	1
8	Internal Circlip (ø150)	1	19	Bracket Gasket	1	30	Grub Screw M12x20	2
9	Bushing For Mechanical Seal	1	20	Rotor Gear	1	31	Greasing Fitting R3/8"	2
10	Lip Seal ø70xø110x13	1	21	Idler Gear	1			
11	Ball Bearing (2314)	1	22	Idler Bushing	1			

Spare Parts List - Sealed with cartex mechanical seal, jacketed and with blind cover:



No.	Part Name.	Qty.	No.	Part Name.	Qty.	No.	Part Name.	Qty.
1	Coupling Key 12x8x60 AB	1	12	Shaft	1	23	Cover Pin	1
2	Lock Nut	1	13	Rotor Key 12x8x45 A	1	24	Jacketed Cover Pin	1
3	Lock Washer	1	14	Hex Bolt M16x40	16	25	Cover	1
4	Spacer	2	15	Bracket (w/ Cartex Mech. Seal)	1	26	Jacketed Cover	1
5	Pulley Cover	1	16	Bracket & Cover Gasket	2	27	Bypass Gasket	2
6	Lip Seal ø55xø72x10	2	17	Casing (w/ 90° Flanged Ports)	1	28	Bypass Inlets Cover	2
7	Ball Bearing (3209)	1	18	Casing (w/ 90° Flanged Ports & w/ Heating Jacket)	1	29	Hex Bolt M10x30	8
8	Grub Screw M8x20	4	19	_____	30	Greasing Fitting R3/8"	1	
9	Pulley	1	20	Rotor Gear	1	31	Nut M14	2
10	Cartex Mechanical Seal Ø50	1	21	Idler Gear	1	32	Square Screw M14x90	2
11	Bracket Bushing	1	22	Idler Bushing	1			



YKF 8" Internal Eccentric Gear Pump



Performance:

Flow rate	200 m ³ /h
Pressure	1 - 10 bar
Temperature	0 - 200 °C
Speed	220 d/d
Viscosity	100 - 250000 SSU

Technical Features:

- ✓ Internal eccentric gear pump
- ✓ 8" flanged threaded connections
- ✓ Compact design
- ✓ Reliable construction thanks to only two moving parts
- ✓ Various material options
- ✓ Available with external bypass, jacketed and blind cover
- ✓ 230v, three phase 50/60hz motors available
- ✓ Gearbox drive
- ✓ Manufactured according to CE regulations

Applications:

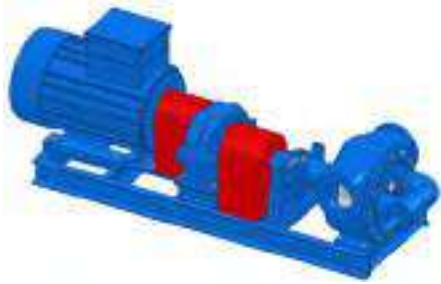
- ✓ Fuel oil, diesel fuel and gas oil transfer
- ✓ Small scale thermal oil applications including Marlotherm, Duratherm, Paratherm, Multitherm, Mobiltherm and Dowtherm
- ✓ Lubrication applications
- ✓ Coolant transfer
- ✓ Any transfer of low to medium viscosity fluids with lubricating properties
- ✓ Not suitable for fluids containing abrasive particles

Material Options:

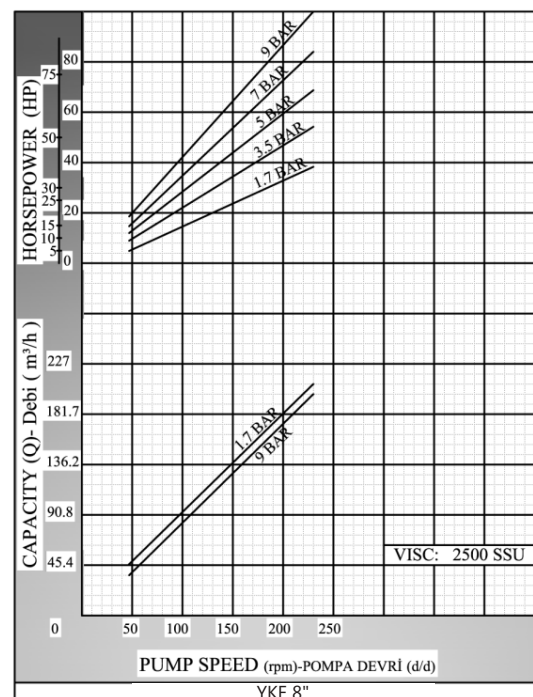
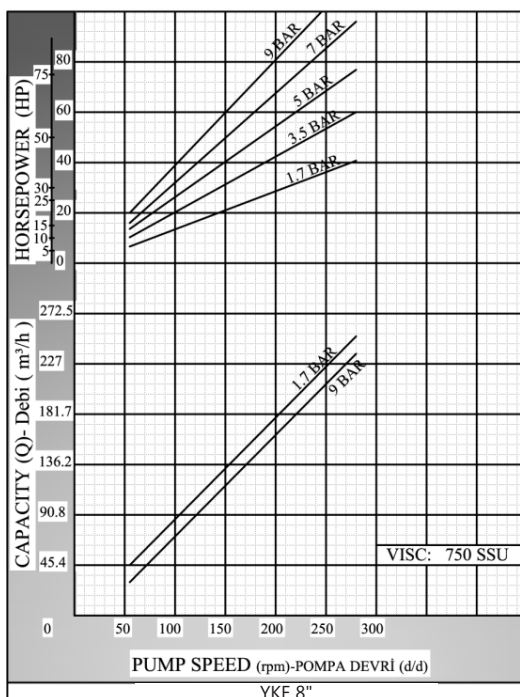
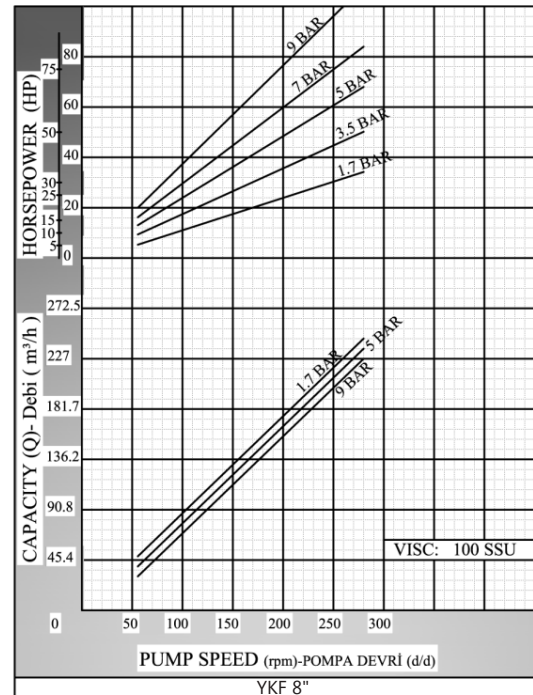
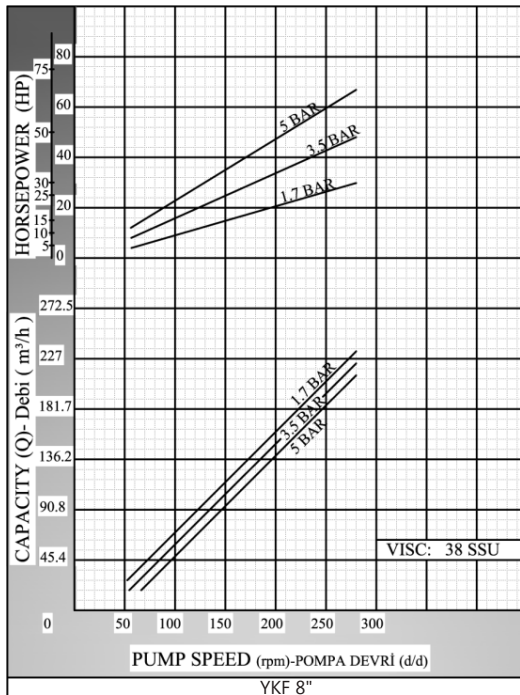
- ✓ Pump casings: Pig cast iron, Spheroidal cast iron, cast steel, AISI 304/316 CrNi Stainless Steel
- ✓ Gears: Spheroidal cast iron, cast steel, AISI 304/316 CrNi Stainless Steel
- ✓ Bearings: Snbz 12 bronze, ball bearing, carbon graphite, silicon carbide, hard metal coated steel
- ✓ Sealing: Soft seal or packing gland, Rotatherm seal, lip seal, mechanical seal, cartridge type mechanical seal

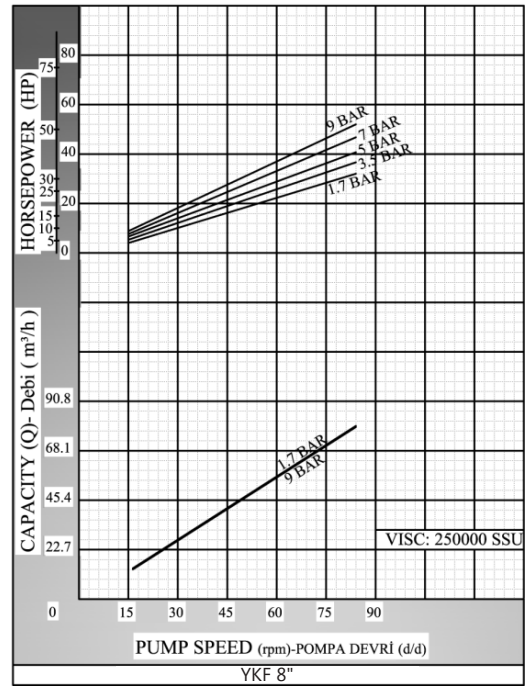
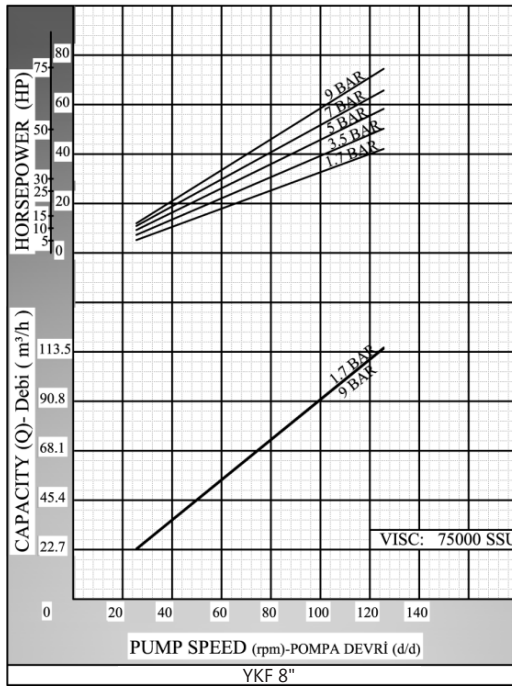
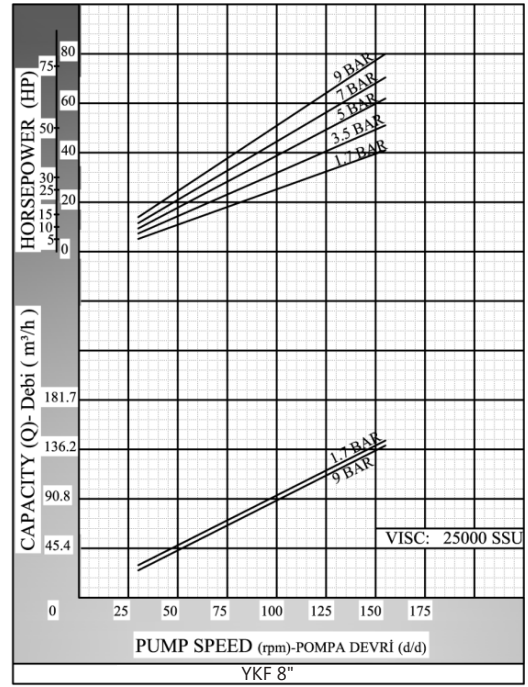
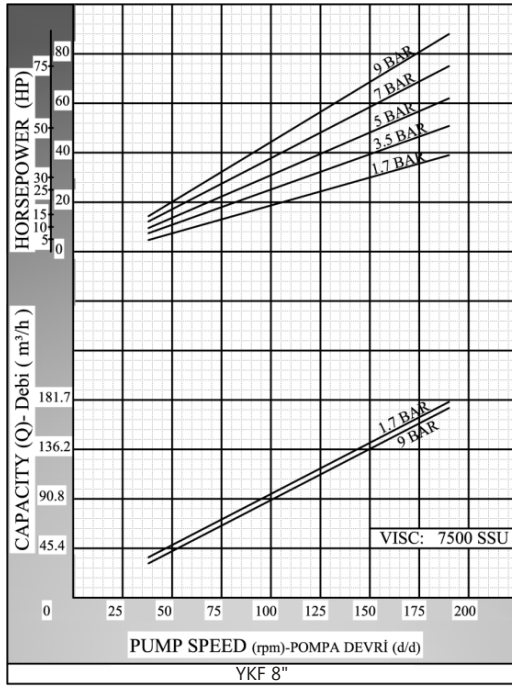


Capacity & Power Table						
Capacity (Q)	Speed (rpm)	Pressure				Viscosity
		3 Bar	5 Bar	7 Bar	9 Bar	
80	84	40 HP	50 HP	50 HP	60 HP	250000 SSU
114	125	50 HP	60 HP	75 HP	75 HP	75000 SSU
140	155	50 HP	75 HP	75 HP	100 HP	25000 SSU
174	190	60 HP	75 HP	75 HP	100 HP	7500 SSU

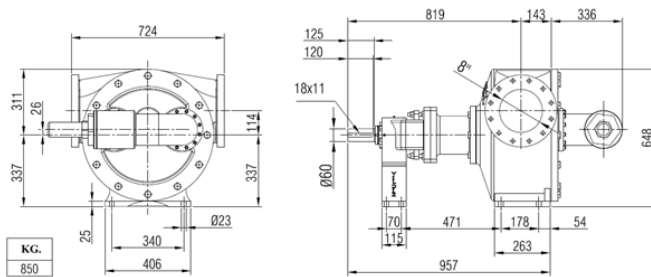


Pump Dimensions - Capacity Graphs:

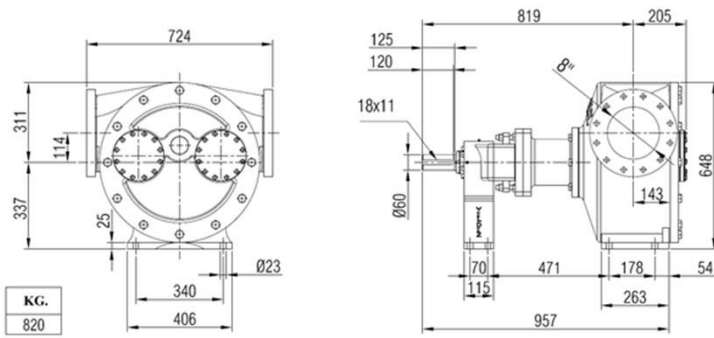




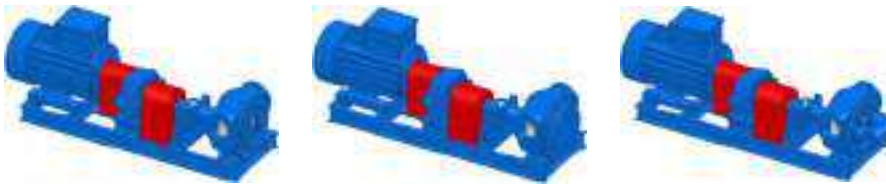
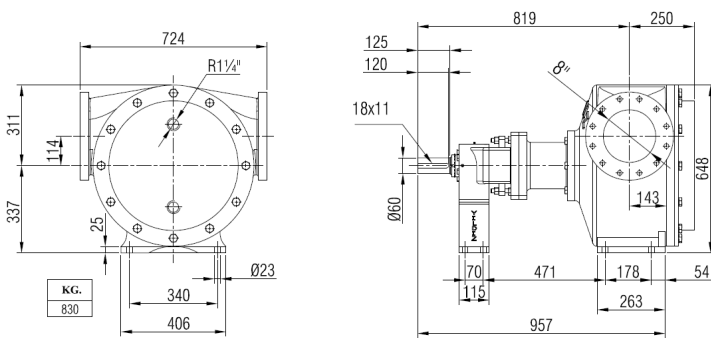
Pump Dimensions - Bypassed:



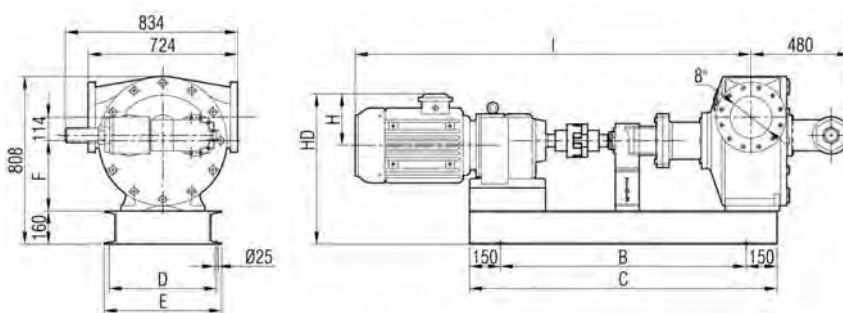
Pump Dimensions - Blind covered:



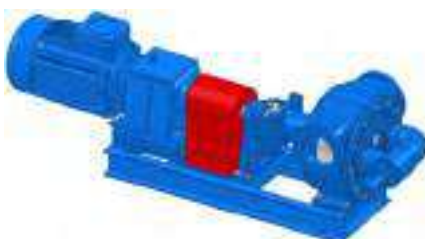
Pump Dimensions - with jacket:

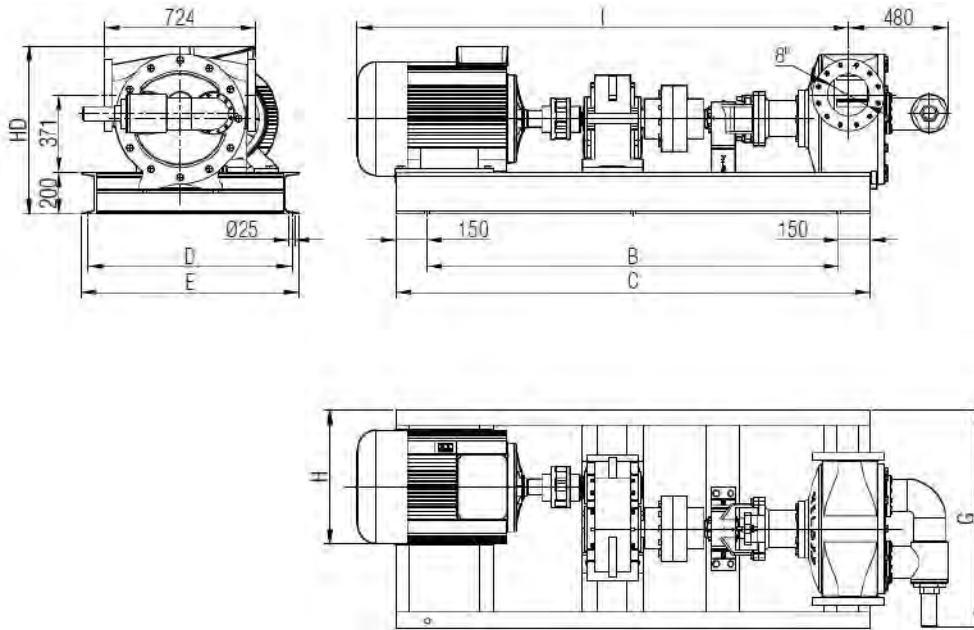


Pump Dimensions - Gearbox drive:



Motor Power & Speed			I	HD	H	B	C	D	E	F	Kg
30 hp / 22 kw	105/350 d/d (rpm)	IRAM92/180L	1918	724	248	1190	1490	520	580	337	1295
40 hp / 30 kw	204/350 d/d (rpm)	IRAM92/200L	1957	751	275	1190	1490				1325
50 hp / 37 kw	89/350 d/d (rpm)	IRAM102/225S	2044	761	285	1280	1580				1540
60 hp / 45 kw	113/350 d/d (rpm)	IRAM102/225M	2069	761	285	1280	1580				1570





Motor Power & Speed		I	HD	H	B	C	D	E	G	Kg	
50 hp / 37 kw	A200-P9 / 225S	DN200	2200	741	591	1840	2140	980	1050	1044	1676
60 hp / 45 kw	A200-P9 / 225M										1700
75 hp / 55 kw	A200-P9 / 250M										1803
100 hp / 75 kw	A200-P9 / 280S										1931
120 hp / 90 kw	A200-P9 / 280M										1985
150 hp / 110 kw	A200-P9 / 315S										2168
175 hp / 132 kw	A200-P9 / 315M										2250

Spare Parts List - Sealed with soft seal, and bypassed with pressure relief valve:



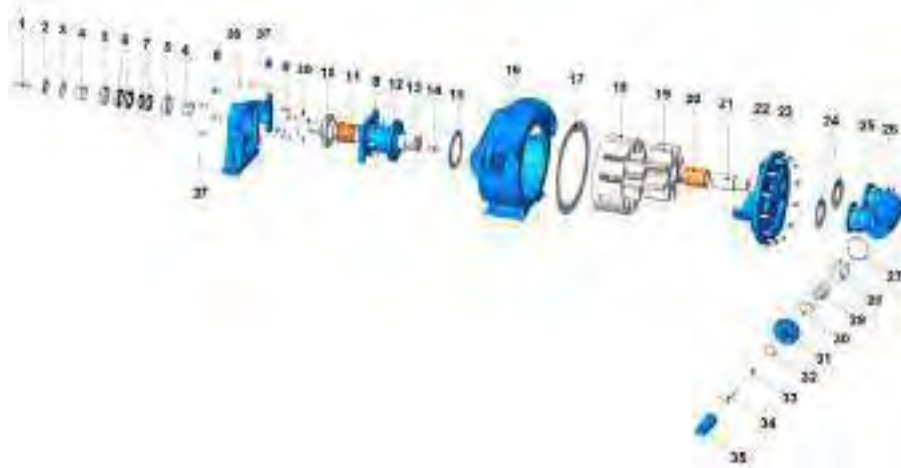
No.	Part Name.	Qty.	No.	Part Name.	Qty.	No.	Part Name.	Qty.
1	Coupling Key 18x11x120 AB	1	15	Interval Bracket	1	29	Hex Bolt M10x40	24
2	Lock Nut	1	16	Shaft	1	30	Bypass O-Ring	1
3	Lock Washer	1	17	Rotor Key 28x16x80 A	1	31	Valve	1
4	Spacer	2	18	Interval Bracket Gasket	1	32	Spring	1
5	Adjusting Nut	2	19	Casing	1	33	Washer	1
6	Ball Bearing (32214)	2	20	Cover Gasket	1	34	Bypass Cover	1
7	Lip Seal ø85xø105x10	2	21	Rotor Gear	1	35	Cap O-Ring	1
8	Hex Bolt M16x45	10	22	Idler Gear	1	36	Nut M20	1
9	Bracket	1	23	Idler Bushing	1	37	Adjusting Screw M20x200	1
10	Nut M16	2	24	Cover Pin	1	38	Cap	1
11	Stud M16x130	2	25	Cover	1	39	Greasing Fitting R3/8"	1
12	Packing Press	1	26	Hex Bolt M20x50	12	40	Grub Screw M12x20	3
13	Soft Seal / Packing Gland	1 TK	27	Bypass Gasket	2			
14	Bracket Bushing	1	28	Pressure Relief Valve - Bypass	1			

Spare Parts List - Sealed with soft seal, jacketed, and with blind cover:



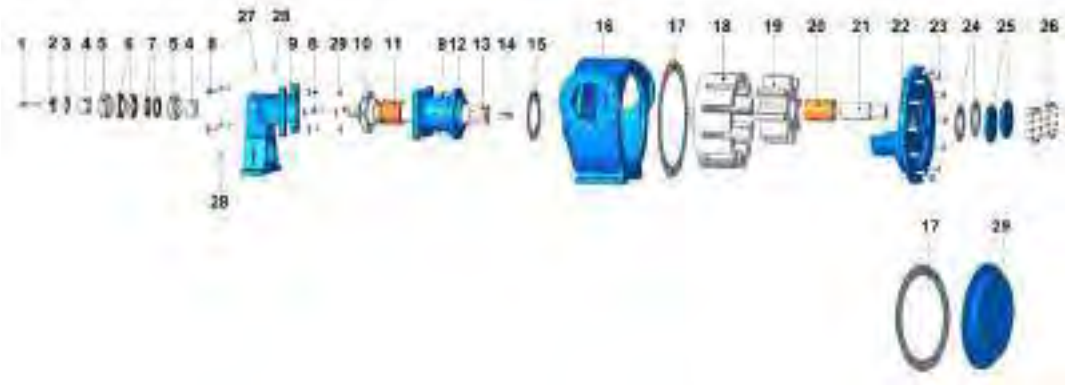
No.	Part Name.	Qty.	No.	Part Name.	Qty.	No.	Part Name.	Qty.
1	Coupling Key 18x11x120 AB	1	12	Packing Press	1	23	Idler Bushing	1
2	Lock Nut	1	13	Soft Seal / Packing Gland	1 TK	24	Cover Pin	1
3	Lock Washer	1	14	Bracket Bushing	1	25	Cover	1
4	Spacer	2	15	Interval Bracket	1	26	Screw M20x50	12
							Screw M20x70 For Jacketed Cover	12
5	Adjusting Nut	2	16	Shaft	1	27	Bypass Gasket	2
6	Ball Bearing (32214)	2	17	Rotor Key 28x16x80 A	1	28	Bypass Inlets Cover	2
7	Lip Seal ø85xø105x10	2	18	Interval Bracket Gasket	1	29	Hex Bolt M10x40	24
8	Hex Bolt M16x45	10	19	Casing	1	30	Greasing Fitting R3/8"	1
9	Bracket	1	20	Cover Gasket	2	31	Grub Screw M12x20	3
10	Nut M16	2	21	Rotor Gear	1	32	Jacketed Cover	1
11	Stud M16x130	2	22	Idler Gear	1			

Spare Parts List - Sealed with mechanical seal, and bypassed with pressure relief valve:



No.	Part Name.	Qty.	No.	Part Name.	Qty.	No.	Part Name.	Qty.
1	Coupling Key 18x11x120 AB	1	14	Rotor Key 28x16x80 A	1	27	Bypass O-Ring	1
2	Lock Nut	1	15	Interval Bracket Gasket	1	28	Valve	1
3	Lock Washer	1	16	Casing	1	29	Spring	1
4	Spacer	2	17	Cover Gasket	1	30	Washer	1
5	Adjusting Nut	2	18	Rotor Gear	1	31	Bypass Cover	1
6	Ball Bearing (32214)	2	19	Idler Gear	1	32	Cap O-Ring	1
7	Lip Seal ø85xø105x10	2	20	Idler Bushing	1	33	Nut M20	1
8	Hex Bolt M16x45	14	21	Cover Pin	1	34	Adjusting Screw M20x200	1
9	Bracket	1	22	Cover	1	35	Cap	1
10	Cartex Mechanical Seal Ø100	1	23	Hex Bolt M20x50	12	36	Greasing Fitting R3/8"	1
11	Bracket Bushing	1	24	Bypass Gasket	2	37	Grub Screw M12x20	3
12	Interval Bracket	1	25	Pressure Relief Valve - Bypass	1	38	Washer	4
13	Shaft	1	26	Hex Socket M10x40	24			

Spare Parts List - Sealed with mechanical seal, jacketed and with blind cover:



No.	Part Name.	Qty.	No.	Part Name.	Qty.	No.	Part Name.	Qty.
1	Coupling Key 18x11x120 AB		11	Bracket Bushing		21	Cover Pin	1
2	Lock Nut		12	Interval Bracket		22	Cover	1
3	Lock Washer		13	Shaft		23	Screw M20x50	12
							Screw M20x70 For Jacketed Cover	12
4	Spacer		14	Rotor Key 28x16x80 A		24	Bypass Gasket	2
5	Adjusting Nut		15	Interval Bracket Gasket		25	Bypass Inlets Cover	2
6	Ball Bearing (32214)		16	Casing		26	Hex Bolt M10x40	24
7	Lip Seal ø85xø105x10		17	Cover Gasket		27	Greasing Fitting R3/8"	1
8	Hex Bolt M16x45		18	Rotor Gear		28	Grub Screw M12x20	3
9	Bracket		19	Idler Gear		29	Washer	1
10	Cartex Mechanical Seal Ø100		20	Idler Bushing		30	Jacketed Cover	

Spare Parts List - Sealed with cartex mechanical seal, jacketed and with blind cover:



No.	Part Name.	Qty.	No.	Part Name.	Qty.	No.	Part Name.	Qty.
1	Coupling Key 12x8x60 AB	1	12	Shaft	1	23	Cover Pin	1
2	Lock Nut	1	13	Rotor Key 12x8x45 A	1	24	Jacketed Cover Pin	1
3	Lock Washer	1	14	Hex Bolt M16x40	16	25	Cover	1
4	Spacer	2	15	Bracket (w/ Cartex Mech. Seal)	1	26	Jacketed Cover	1
5	Pulley Cover	1	16	Bracket & Cover Gasket	2	27	Bypass Gasket	2
6	Lip Seal ø55xø72x10	2	17	Casing (w/ 90° Flanged Ports)	1	28	Bypass Inlets Cover	2
7	Ball Bearing (3209)	1	18	Casing (w/ 90° Flanged Ports & w/ Heating Jacket)	1	29	Hex Bolt M10x30	8
8	Grub Screw M8x20	4	19	_____	30	Greasing Fitting R3/8"	1	
9	Pulley	1	20	Rotor Gear	1	31	Nut M14	2
10	Cartex Mechanical Seal Ø50	1	21	Idler Gear	1	32	Square Screw M14x90	2
11	Bracket Bushing	1	22	Idler Bushing	1			



YKF 200" YKF Internal Eccentric Gear Pump



Performance:

Flow rate	15 m ³ /h
Pressure	1 - 14 bar
Temperature	0 - 200 °C
Speed	900 d/d
Viscosity	100 - 250000 SSU

Technical Features:

- ✓ Internal eccentric gear pump
- ✓ 200" flanged threaded connections
- ✓ Compact design
- ✓ Reliable construction thanks to only two moving parts
- ✓ Various material options
- ✓ Available with external bypass, jacketed and blind cover
- ✓ 230v, three phase 50/60hz motors available
- ✓ Motor, gearbox and belt pulley drive available
- ✓ Manufactured according to CE regulations

Applications:

- ✓ Fuel oil, diesel fuel and gas oil transfer
- ✓ Small scale thermal oil applications including Marlotherm, Duratherm, Paratherm, Multitherm, Mobiltherm and Dowtherm
- ✓ Lubrication applications
- ✓ Coolant transfer
- ✓ Any transfer of low to medium viscosity fluids with lubricating properties
- ✓ Not suitable for fluids containing abrasive particles

Material Options:

- ✓ Pump casings: Pig cast iron, Spheroidal cast iron, cast steel, AISI 304/316 CrNi Stainless Steel
- ✓ Gears: Spheroidal cast iron, cast steel, AISI 304/316 CrNi Stainless Steel
- ✓ Bearings: Snbz 12 bronze, ball bearing, carbon graphite, silicon carbide, hard metal coated steel
- ✓ Sealing: Soft seal or packing gland, Rotatherm seal, lip seal, mechanical seal, cartridge type mechanical seal

Capacity & Power Table						
Capacity (Q)	Speed (rpm)	Pressure				Viscosity
		3 Bar	6 Bar	9 Bar	12 Bar	
0.6	40	0.55 HP	0.75 HP	0.75 HP	1 HP	75000 SSU
0.8	60	0.55 HP	0.75 HP	1 HP	1 HP	25000 SSU
1.5	100	1 HP	1.5 HP	1.5 HP	2 HP	25000 SSU
3.7	250	1.5 HP	2 HP	3 HP	4 HP	7500 SSU
5	350	2 HP	3 HP	4 HP	5.5 HP	2500 SSU
5.5	450	2 HP	3 HP	4 HP	5.5 HP	750 SSU
13	900	4 HP	5.5 HP	10 HP	10 HP	750 SSU
21	1400	5.5 HP	10	15 HP	15 HP	100 SSU

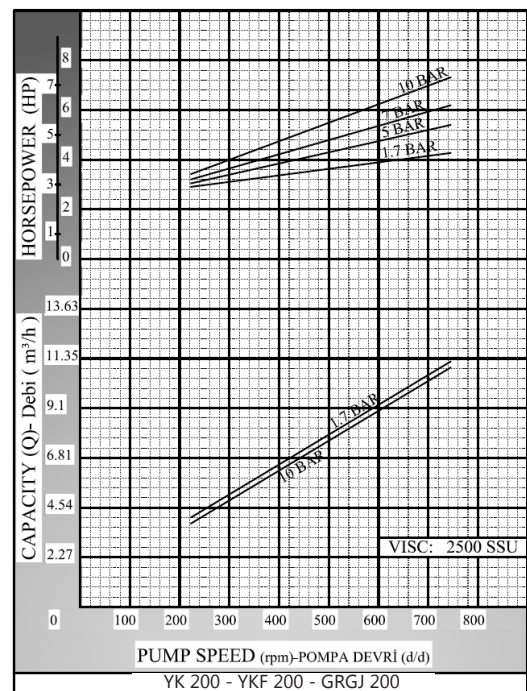
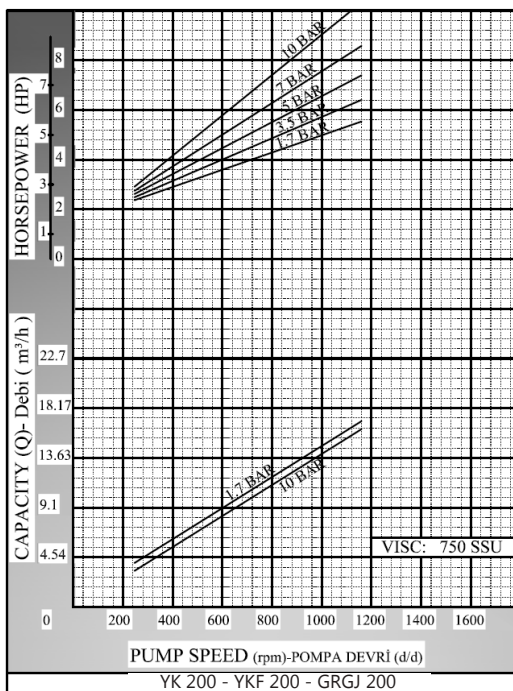
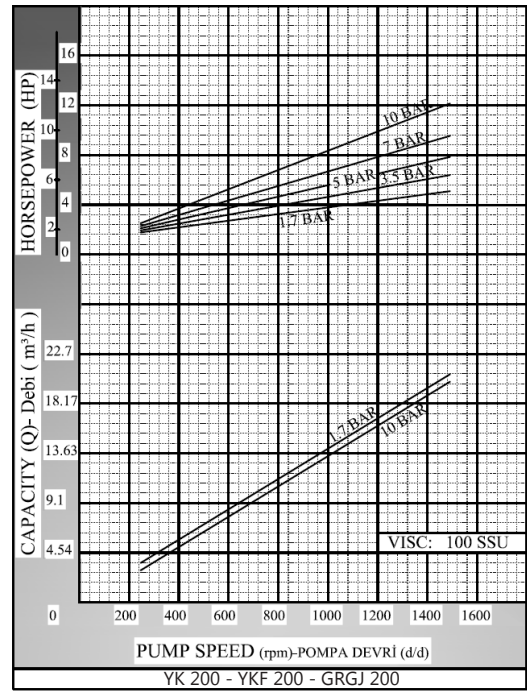
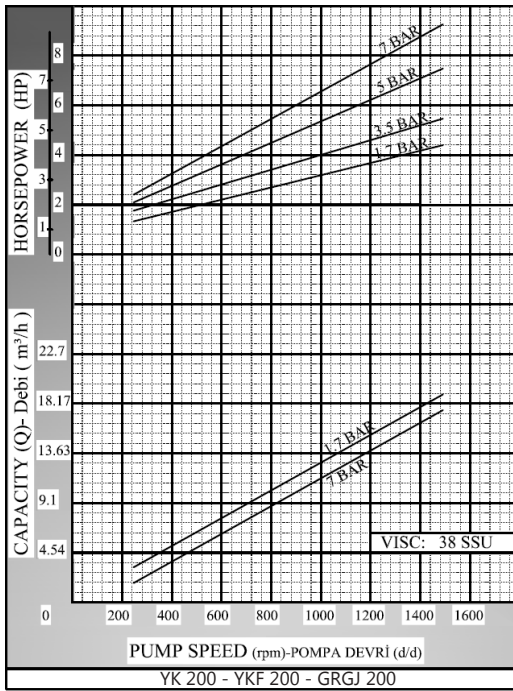
Motor Powers	
5.5 HP	1400 d/d (rpm)
Motor Body	
112	

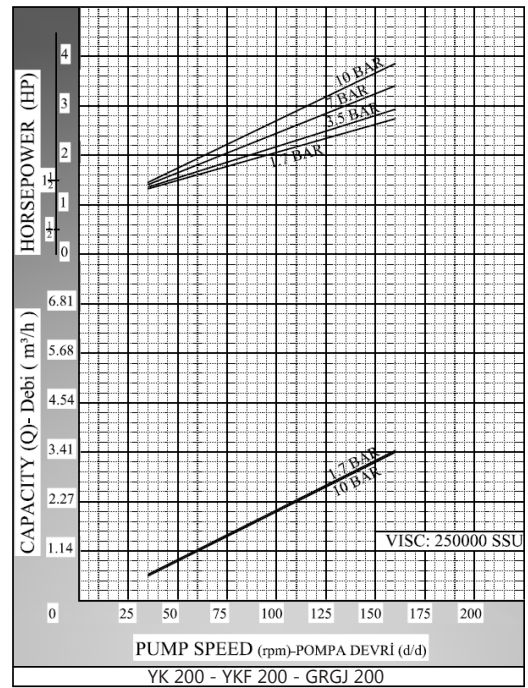
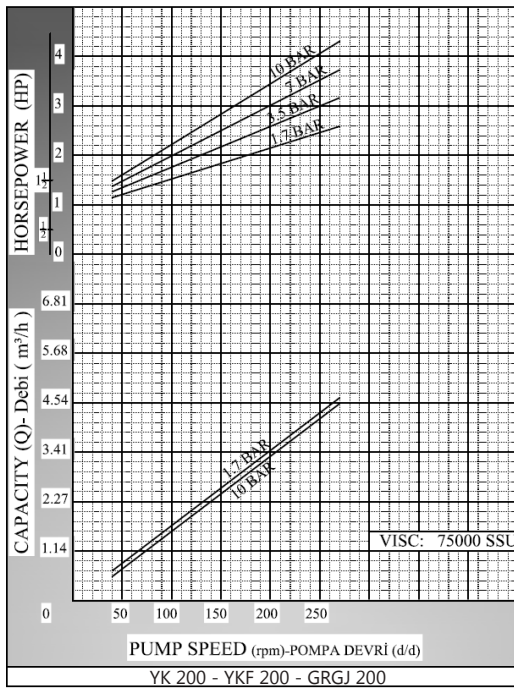
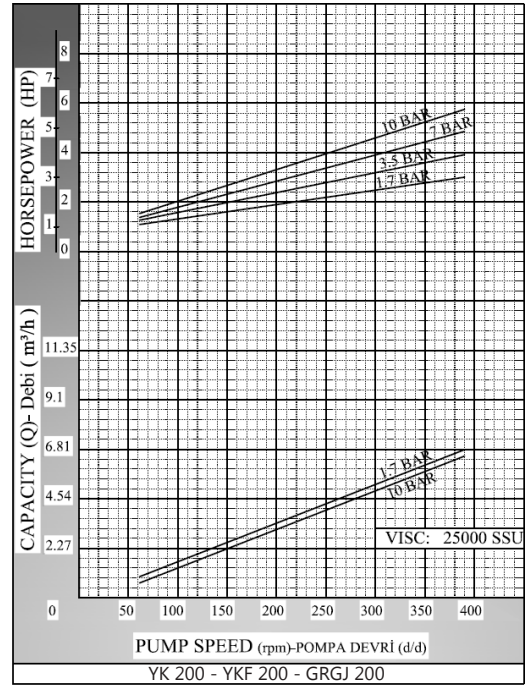
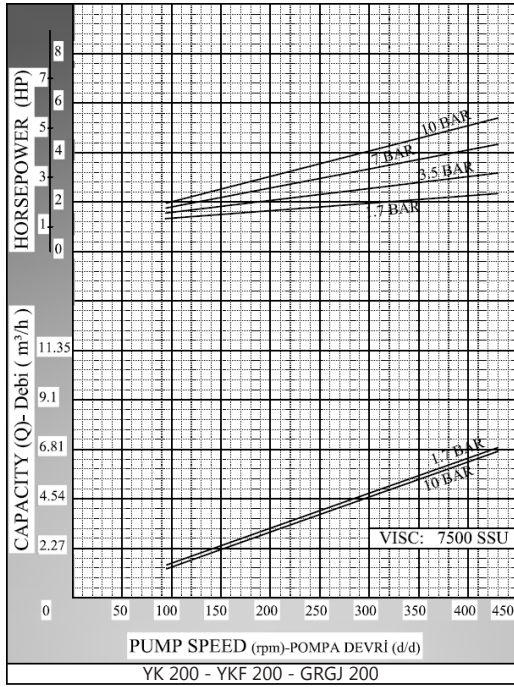
Motor Powers	
4 HP	900 d/d (rpm)
5.5 HP	900 d/d (rpm)
10 HP	1400 d/d (rpm)
15 HP	1400 d/d (rpm)
Motor Body	
132	

Motor Powers	
10 HP	900 d/d (rpm)
Motor Body	
160	

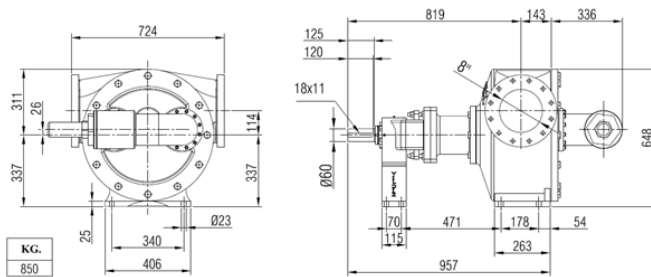


Pump Dimensions - Capacity Graphs:

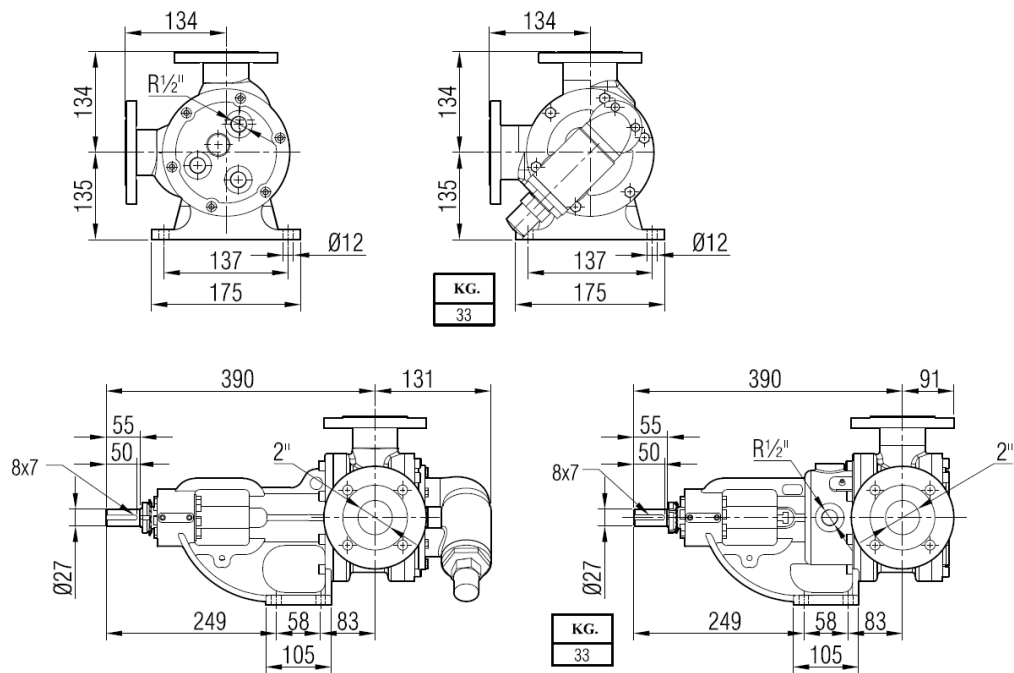




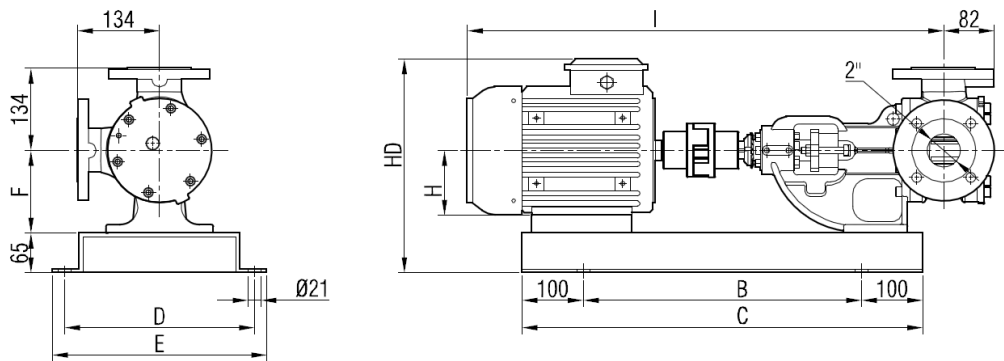
Pump Dimensions - Bypassed:



Pump Dimensions:

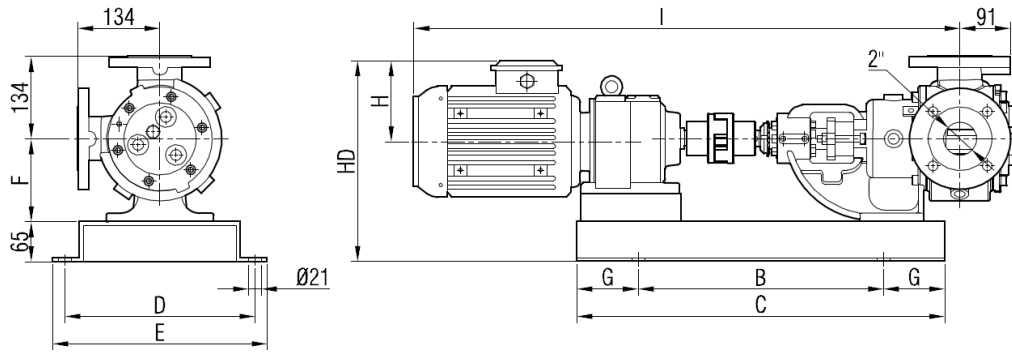


Coupling Dimensions - Motor drive:



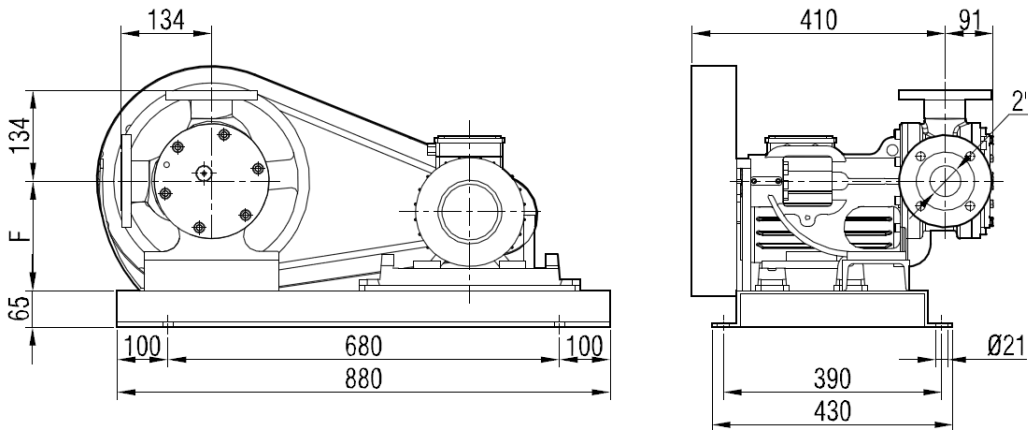
Motor Power & Speed			I	HD	H	B	C	D	E	F	Kg
2 hp / 1.5 kw	750 d/d (rpm)	MOTOR 112M	804	344	112	500	700	310	350	135	83
3 hp / 2.2 kw	900 d/d (rpm)										83
3 hp / 2.2 kw	750 d/d (rpm)	MOTOR 132S	865	367	132	580	780	380	420		92
4 hp / 3 kw	900 d/d (rpm)										93
4 hp / 3 kw	750 d/d (rpm)	MOTOR 132M	903								100
5.5 hp / 4 kw	900 d/d (rpm)										104

Coupling Dimensions - Gearbox drive:

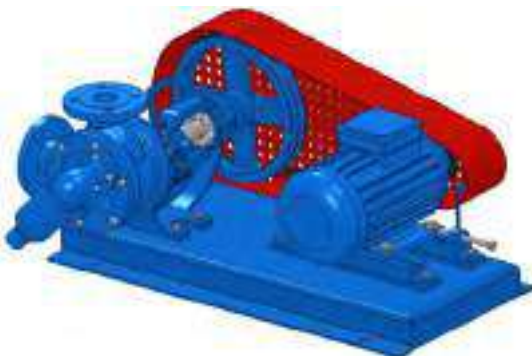


Motor Power & Speed			I	HD	H	B	C	D	E	F	G	Kg	
1 hp / 0.75 kw	90/400 d/d (rpm)	IRAM42/80	821	314	118	430	550	260	300	135	60	64	
2 hp / 1.5 kw	105/450 d/d (rpm)	IRAM52/90L	901	327	132	420	620	310	350		100		83
4 hp / 1.5 kw	280/600 d/d (rpm)	IRAM52/100L	930	336	141	500	700						
3 hp / 2.2 kw - 4 hp / 3 kw	50/234 - 65/570 d/d (rpm)	IRAM62/100L	994	330									
5.5 hp / 4 kw	87/570 d/d (rpm)	IRAM62/112M	1015	338	149								

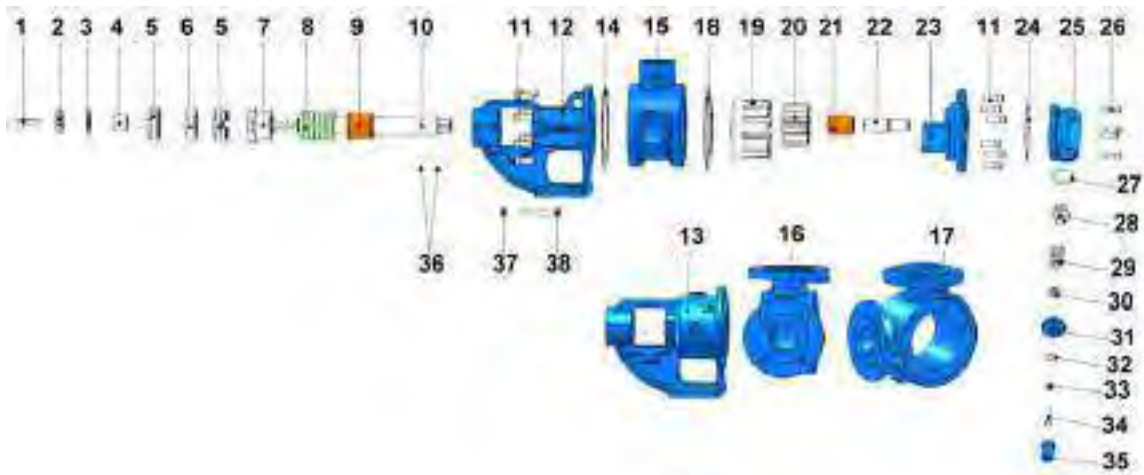
Coupling Pump Dimensions - Belt Pulley:



Motor Power & Speed		Pump Speeds				F ₍₁₎	F ₍₂₎	F ₍₃₎	F ₍₄₎	Kg
		n1 d/d	n2 d/d	n3 d/d	n4 d/d					
3 hp / 2.2 kw	MOTOR 100L	450	400	350	310	135	190	190	245	120
4 hp / 3 kw	MOTOR 100L									130
5.5 hp / 4 kw	MOTOR 112M									135
7.5 hp / 5.5 kw	MOTOR 132S									145
10 hp / 7.5 kw	MOTOR 132M									155

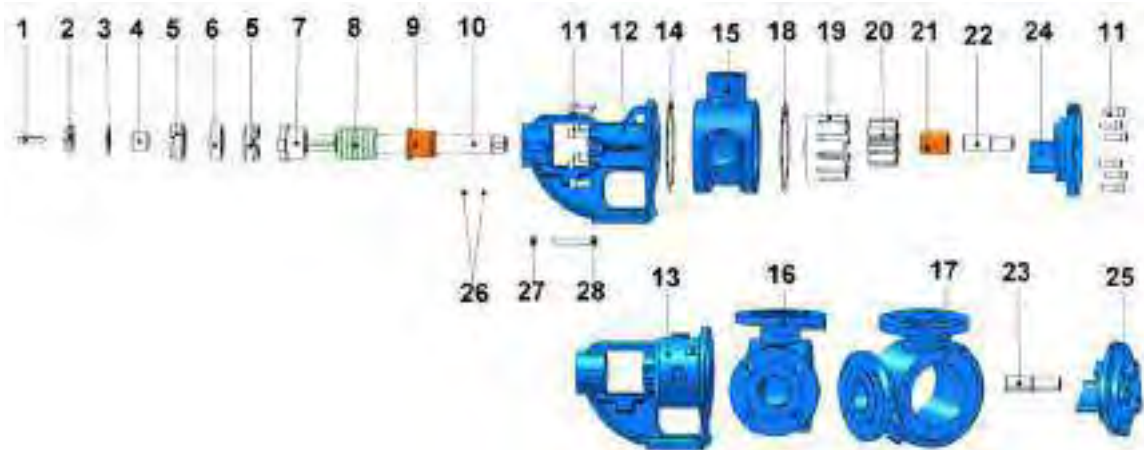


Spare Parts List - Sealed with soft seal and pressure relief valve on cover:



No.	Part Name.	Qty.	No.	Part Name.	Qty.	No.	Part Name.	Qty.
1	Coupling Key 8x7x50 AB	1	14	Bracket Gasket	1	27	Bypass O-Ring	1
2	Lock Nut	1	15	Casing (90° Threaded Ports)	1	28	Valve	1
3	Lock Washer	1	16	Casing (90° Flanged Ports)	1	29	Spring	1
4	Spacer	1	17	Casing (90° Flanged Ports & w/ Heating Jacket)	1	30	Washer	1
5	Adjusting Nut	2	18	Cover Gasket	1	31	Bypass Cover	1
6	Ball Bearing (2206-2RS)	1	19	Rotor Gear	1	32	Cap O-Ring	1
7	Packing Press	1	20	Idler Gear	1	33	Nut M8	1
8	Soft Seal / Packing Gland	1 TK	21	Idler Bushing	1	34	Adjusting Screw M8x45	1
9	Bracket Bushing	1	22	Bypassed Cover Pin	1	35	Cap	1
10	Shaft	1	23	Cover (w/ Bypass Inlets)	1	36	Grub Screw M8x16	4
11	Inbus Bolt M10x30	14	24	Bypass Gasket	1	37	Nut M10	2
12	Bracket	1	25	Pressure Relief Valve	1	38	Square Screw M10x70	2
13	Bracket (w/ Heating Jacket)	1	26	Inbus Bolt M8x25	4			

Spare Parts List - Sealed with soft seal, jacketed and with blind cover:



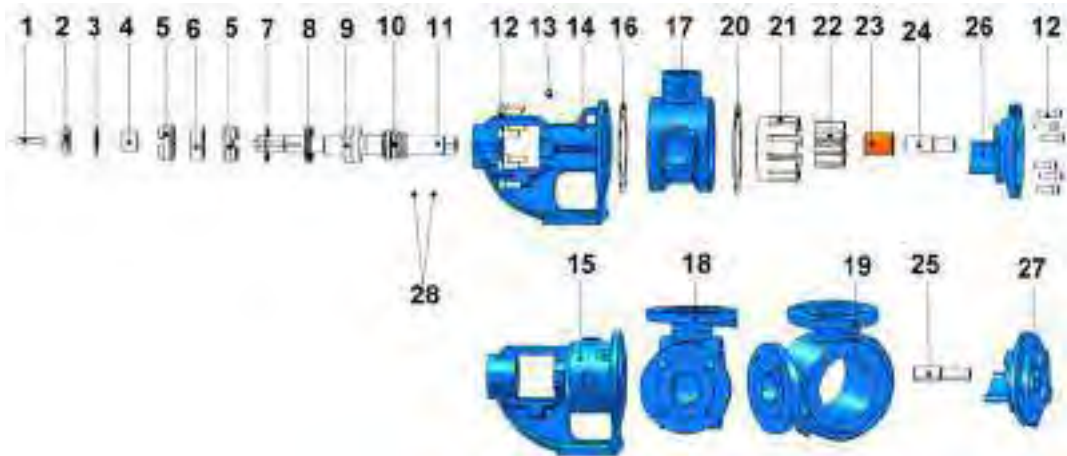
No.	Part Name.	Qty.	No.	Part Name.	Qty.	No.	Part Name.	Qty.
1	Coupling Key 8x7x50 AB	1	11	Inbus Bolt M10x30	14	21	Idler Bushing	1
2	Lock Nut	1	12	Bracket	1	22	Bypassed Cover Pin	1
3	Lock Washer	1	13	Bracket (w/ Heating Jacket)	1	23	Jacketed Cover Pin	1
4	Spacer	1	14	Bracket Gasket	1	24	Blind Cover	1
5	Adjusting Nut	2	15	Casing (90° Threaded Ports)	1	25	Cover (w/ Heating Jacket)	1
6	Ball Bearing (2206-2RS)	1	16	Casing (90° Flanged Ports)	1	26	Grub Screw M10x16	4
7	Packing Press	1	17	Casing (90° Flanged Ports & w/ Heating Jacket)	1	27	Nut M10	2
8	Soft Seal / Packing Gland	1 TK	18	Cover Gasket	1	28	Square Screw M10x70	2
9	Bracket Bushing	1	19	Rotor Gear	1			
10	Shaft	1	20	Idler Gear	1			

Spare Parts List - Sealed with mechanical seal, and pressure relief valve on cover:



No.	Part Name.	Qty.	No.	Part Name.	Qty.	No.	Part Name.	Qty.
1	Coupling Key 8x7x50 AB	1	14	Bracket	1	27	Pressure Relief Valve	1
2	Lock Nut	1	15	Bracket (w/ Heating Jacket)	1	28	Inbus Bolt M8x25	4
3	Lock Washer	1	16	Bracket Gasket	1	29	Bypass O-Ring	1
4	Spacer	1	17	Casing (90° Threaded Ports)	1	30	Valve	1
5	Adjusting Nut	2	18	Casing (90° Flanged Ports)	1	31	Spring	1
6	Ball Bearing (2206-2RS)	1	19	Casing (90° Flanged Ports & w/ Heating Jacket)	1	32	Washer	1
7	Internal Circlip (ø62)	2	20	Cover Gasket	1	33	Bypass Cover	1
8	Lip Seal ø35xø62x10	1	21	Rotor Gear	1	34	Cap O-Ring	1
9	Ball Bearing (6007)	2	22	Idler Gear	1	35	Nut M8	1
10	Mechanical Seal Ø35	1	23	Idler Bushing	1	36	Adjusting Screw M8x45	1
11	Shaft	1	24	Bypassed Cover Pin	1	37	Cap	1
12	Inbus Bolt M10x30	14	25	Cover (w/ Bypass Inlets)	1	38	Grub Screw M10x16	4
13	Greasing Fitting R3/8"	1	26	Bypass Gasket	1			

Spare Parts List - Sealed with mechanical seal, jacketed and with blind cover:



No.	Part Name.	Qty.	No.	Part Name.	Qty.	No.	Part Name.	Qty.
1	Coupling Key 8x7x50 AB	1	11	Shaft	1	21	Rotor Gear	1
2	Lock Nut	1	12	Inbus Bolt M10x30	14	22	Idler Gear	1
3	Lock Washer	1	13	Greasing Fitting R3/8"	1	23	Idler Bushing	1
4	Spacer	1	14	Bracket	1	24	Bypassed Cover Pin	1
5	Adjusting Nut	2	15	Bracket (w/ Heating Jacket)	1	25	Jacketed Cover Pin	1
6	Ball Bearing (2206-2RS)	1	16	Bracket Gasket	1	26	Blind Cover	1
7	Internal Circlip (ø62)	2	17	Casing (90° Threaded Ports)	1	27	Cover (w/ Heating Jacket)	4
8	Lip Seal ø35xø62x10	1	18	Casing (90° Flanged Ports)	1	28	Grub Screw M10x16	1
9	Ball Bearing (6007)	2	19	Casing (90° Flanged Ports & w/ Heating Jacket)	1			
10	Mechanical Seal Ø35	1	20	Cover Gasket	1			

Spare Parts List - Sealed with lip seal, jacketed and with blind cover:



No.	Part Name.	Qty.	No.	Part Name.	Qty.	No.	Part Name.	Qty.
1	Coupling Key 8x7x50 AB	1	11	Inbus Bolt M10x30	14	21	Idler Bushing	1
2	Lock Nut	1	12	Bracket	1	22	Cover Pin	1
3	Lock Washer	1	13	Bracket (w/ Heating Jacket)	1	23	Jacketed Cover Pin	1
4	Spacer	1	14	Bracket Gasket	1	24	Blind Cover	1
5	Adjusting Nut	2	15	Casing (90° Threaded Ports)	1	25	Cover (w/ Heating Jacket)	1
6	Ball Bearing (2206-2RS)	1	16	Casing (90° Flanged Ports)	1	26	Grub Screw M8x16	4
7	Internal Circlip (ø56)	1	17	Casing (90° Flanged Ports & w/ Heating Jacket)	1			
8	Lip Seal ø35xø62x10	3	18	Cover Gasket	1			
9	Bracket Bushing	1	19	Rotor Gear	1			
10	Shaft	1	20	Idler Gear	1			



YKU 1½" Internal Eccentric Gear Pump



Performance:

Flow rate	6.7 m ³ /h
Pressure	1 - 14 bar
Temperature	0 - 200 °C
Speed	1400 d/d
Viscosity	100 - 250000 SSU

Technical Features:

- ✓ Internal eccentric gear pump
- ✓ 1½" threaded ports
- ✓ Compact design
- ✓ Reliable construction thanks to only two moving parts
- ✓ Various material options
- ✓ Available with external bypass, jacketed and blind cover
- ✓ 230v, three phase 50/60hz motors available
- ✓ Motor, gearbox and belt pulley drive available
- ✓ Manufactured according to CE regulations

Applications:

- ✓ Fuel oil, diesel fuel and gas oil transfer
- ✓ Small scale thermal oil applications including Marlotherm, Duratherm, Paratherm, Multitherm, Mobiltherm and Dowtherm
- ✓ Lubrication applications
- ✓ Coolant transfer
- ✓ Any transfer of low to medium viscosity fluids with lubricating properties
- ✓ Not suitable for fluids containing abrasive particles

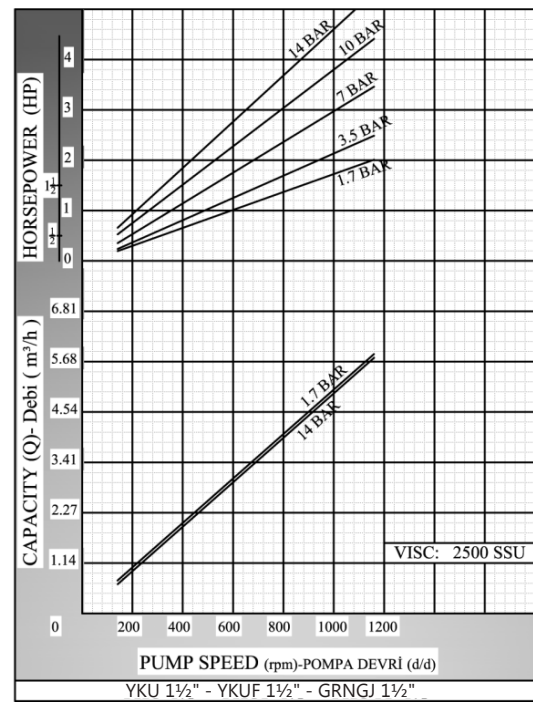
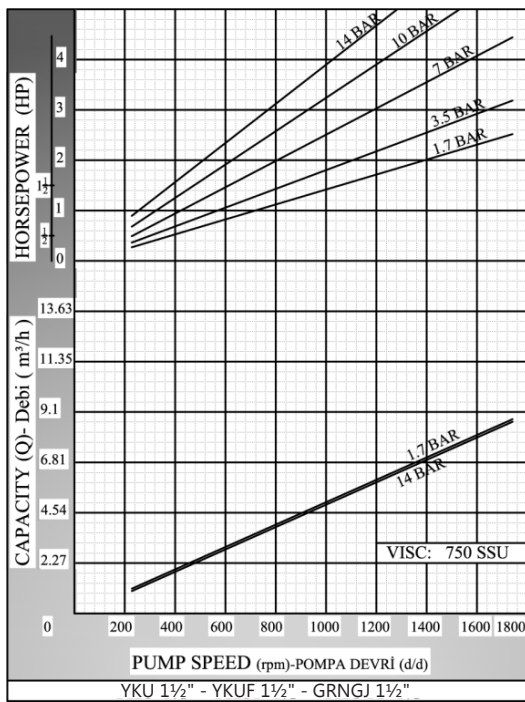
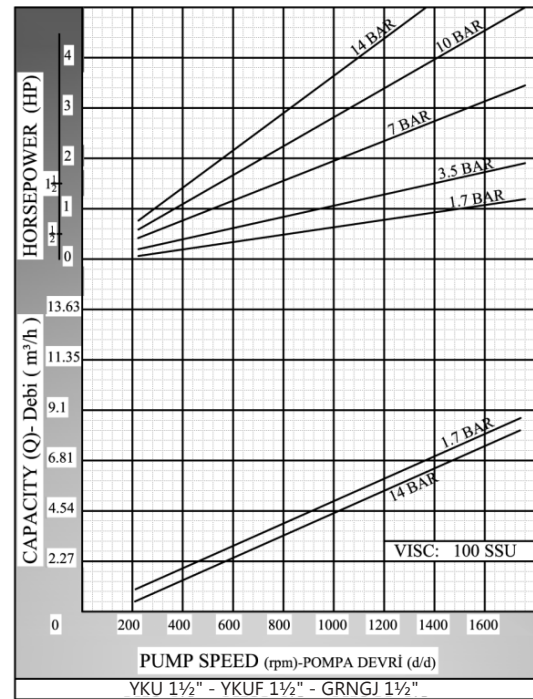
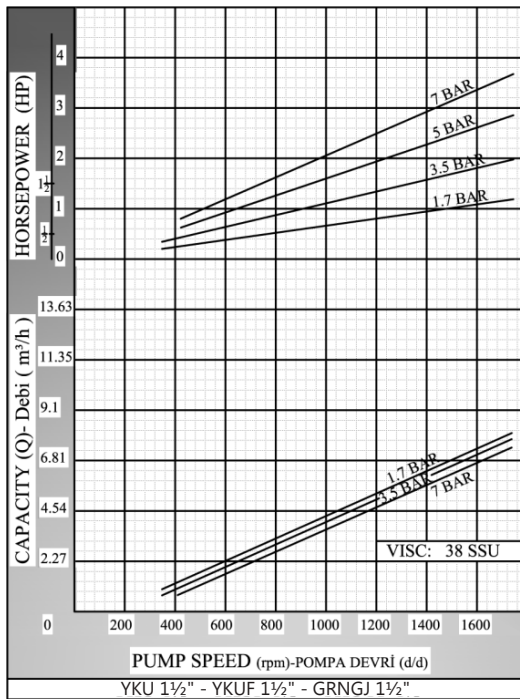
Material Options:

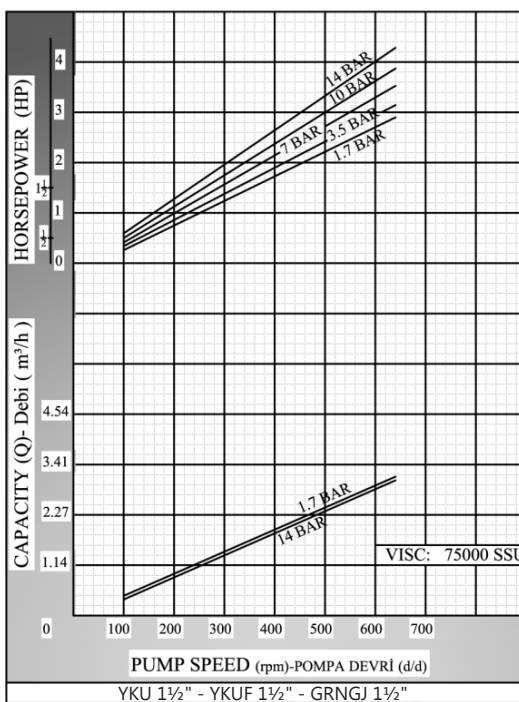
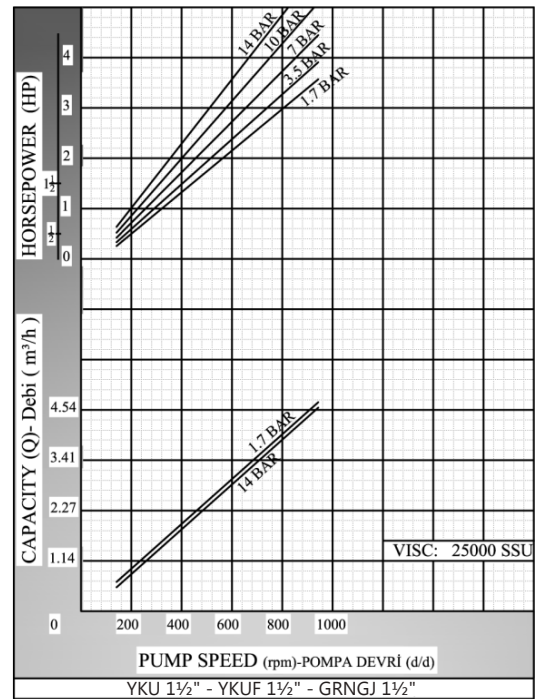
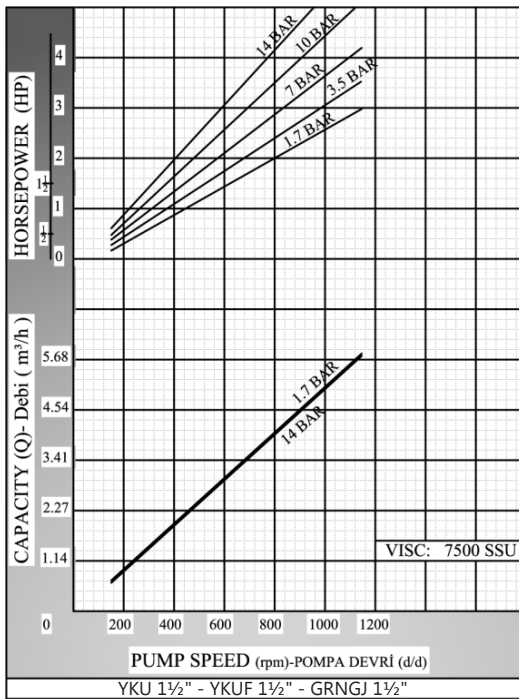
- ✓ Pump body, covers: Pig cast iron, Spheroidal cast iron, cast steel, AISI 304/316 CrNi Stainless Steel
- ✓ Gears: Spheroidal cast iron, cast steel, AISI 304/316 CrNi Stainless Steel
- ✓ Bearings: Snbz 12 bronze, carbon graphite, silicon carbide, hard metal coated steel, bearing
- ✓ Sealing: Soft seal or packing gland, Rotatherm seal, lip seal, mechanical seal, cartridge type mechanical seal

Capacity & Power Table						
Capacity (Q)	Speed (rpm)	Pressure				Viscosity
		3 Bar	6 Bar	9 Bar	12 Bar	
0.24	60	0.5 HP	0.5 HP	0.75 HP	0.75 HP	75000 SSU
0.30	80	0.5 HP	0.75 HP	1 HP	1 HP	25000 SSU
0.35	100	0.75 HP	1 HP	1 HP	1 HP	25000 SSU
4.5	900	2 HP	3 HP	3 HP	4 HP	750 SSU
6.7	1400	2 HP	3 HP	4 HP	5.5 HP	100 SSU



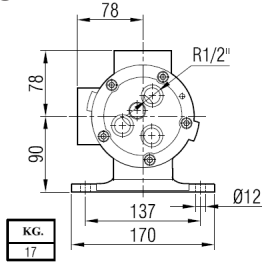
Pump Dimensions - Capacity Graphs:



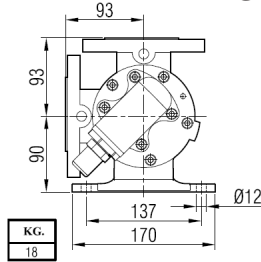


Pump Dimensions:

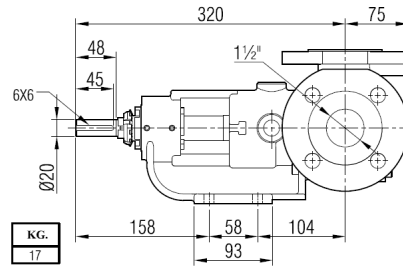
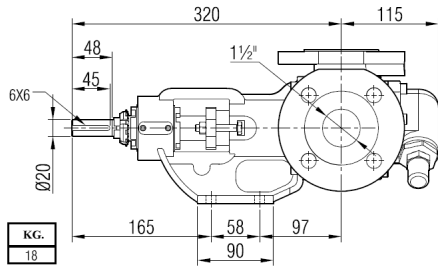
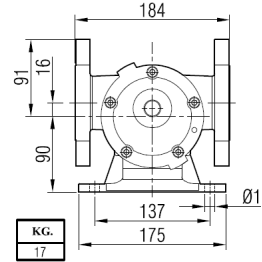
YKU 1½"



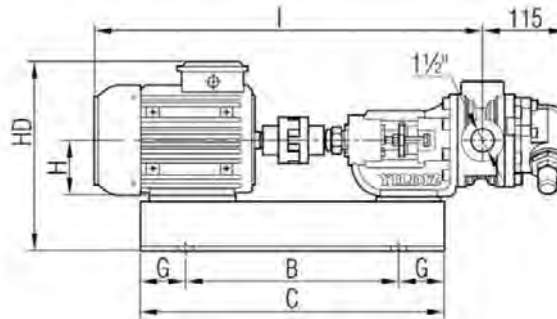
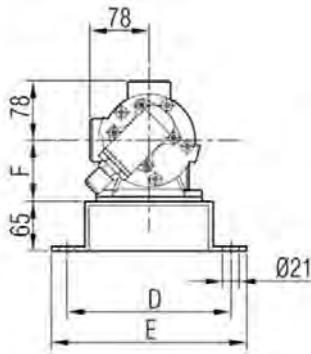
YKUF 1½"



GRNGJ 1½"



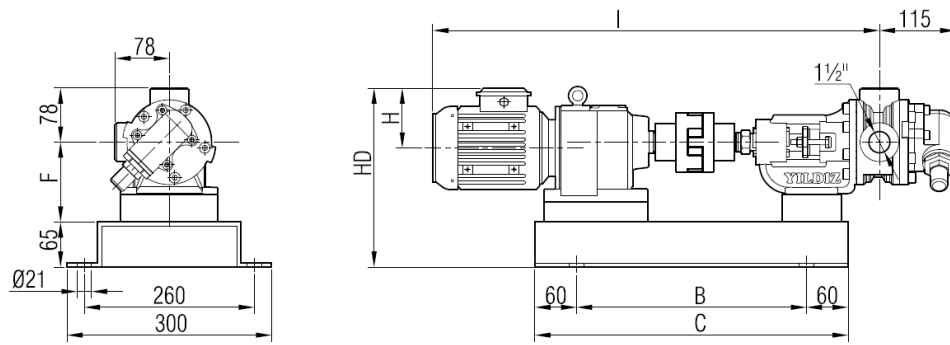
Coupling Dimensions - Motor drive:



Motor Power & Speed			I	HD	H	B	C	D	E	F	G	Kg
1 hp / 0.75 kw	900 d/d (rpm)	MOTOR 90S	648	281	90	380	500	260	300	90	60	42
1.5 hp / 1.1 kw	1400 d/d (rpm)											
1.5 hp / 1.1 kw	900 d/d (rpm)	MOTOR 90L	700	300	100	430	550	310	350	100	100	45
2 hp / 1.5 kw	1400 d/d (rpm)											
1.5 hp / 1.1 kw	750 d/d (rpm)	MOTOR 100L	746	300	100	430	550	310	350	100	100	53
2 hp / 1.5 kw	900 d/d (rpm)											
3-4 hp / 2.2-3 kw	1400 d/d (rpm)	MOTOR 112M	761	323	112	420	620	310	350	112	100	65
2 hp / 1.5 kw	750 d/d (rpm)											
3 hp / 2.2 kw	900 d/d (rpm)											
5.5 hp / 4 kw	1400 d/d (rpm)											



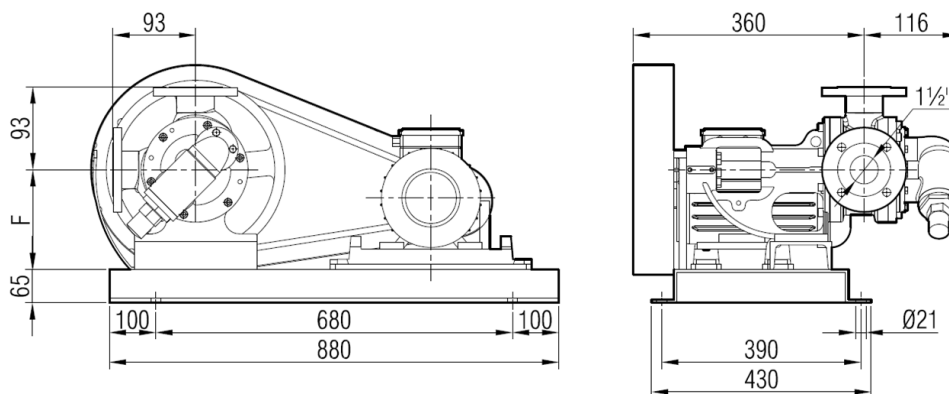
Coupling Dimensions - Gearbox drive:



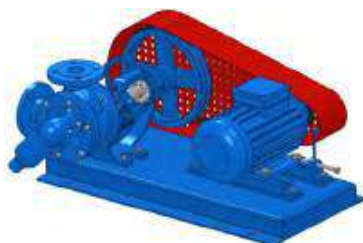
Motor Power & Speed			I	HD	H	B	C	F	Kg	
1 hp / 0.75 kw	90/400 d/d (rpm)	IRAM42/80M	761	269	118	350	470		42	
1.5 hp / 1.1 kw	200/400 d/d (rpm)	IRAM42/90S	780	283	132				46	
1 hp / 0.75 kw	40/240 d/d (rpm)	IRAM53/80M	788	267	118	380	500	90	51	
1.5 hp / 1.1 kw	60/382 d/d (rpm)	IRAM53/90S	806	282	132				54	
2 hp / 1.5 kw	87/540 d/d (rpm)	IRAM52/90L	831	291	141				55	
3-4 hp / 2.2-3 kw	300/540 d/d (rpm)	IRAM52/100L	860						59 62	
5.5 hp / 4 kw	87/540 d/d (rpm)	IRAM62/112M	953	318	149	430	550	115	80	



Dimensions - Belt pulley coupling pump:



Motor Power & Speed		Pump speeds				F(1)	F(2)	F(3)	F(4)	Kg
		n1 d/d	n2 d/d	n3 d/d	n4 d/d					
3 hp / 2.2 kw	MOTOR 100L	450	400	350	310	150	190	200	200	90
4 hp / 3 kw	MOTOR 100L									95
5.5 hp / 4 kw	MOTOR 112M									105
7.5 hp / 5.5 kw	MOTOR 132S									115
10 hp / 7.5 kw	MOTOR 132M									125



Spare Parts List - Sealed with soft seal, and pressure relief valve on cover:



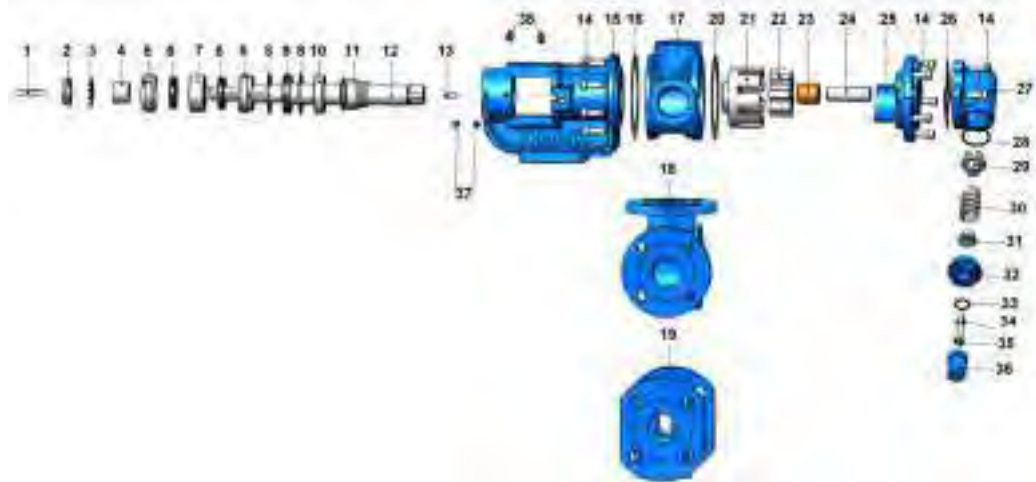
No.	Part Name.	Qty.	No.	Part Name.	Qty.	No.	Part Name.	Qty.
1	Coupling Key 6x6x45 AB		14	Bracket		27	Bypass O-Ring	
2	Lock Nut		15	Bracket Gasket		28	Valve	
3	Lock Washer		16	Casing (w/ 90° Threaded Ports)		29	Spring	
4	Spacer		17	Casing (w/ 90° Flanged Ports)		30	Washer	
5	Adjusting Nut		18	Casing (w/ 180° Flanged Ports)		31	Bypass Cover	
6			19	Cover Gasket		32	Cap O-Ring	
7	Ball Bearing (3205-2RS)		20	Rotor Gear		33	Nut M8	
8	Packing Press		21	Idler Gear		34	Adjusting Screw M8x55	
9	Soft Seal / Packing Gland		22	Idler Bushing		35	Cap	
10	Bracket bushing		23	Cover Pin		36	Hex Bolt M8x50	
11	Shaft		24	Cover (w/ Bypass Inlets)		37	Grub Screw M8x16	
12	Rotor Gear 6x6x20 A		25	Bypass Gasket				
13	Inbus Bolt M8x25		26	Pressure Relief Valve - Bypass				

Spare Parts List - Sealed with soft seal, jacketed, and with blind cover:



No.	Part Name.	Qty.	No.	Part Name.	Qty.	No.	Part Name.	Qty.
1	Coupling Key 6x6x45 AB	1	11	Shaft	1	21	Idler Gear	1
2	Lock Nut	1	12	Rotor Key 6x6x20 A	1	22	Idler Bushing	1
3	Lock Washer	1	13	Inbus Bolt M8x25	13	23	Cover Pin	1
				Hex Socket M8x30 For Cover w/ Heating Jacket	5			
4	Spacer	1	14	Bracket	1	24	Blind Cover	1
5	Adjusting Nut	2	15	Bracket Gasket	1	25	Cover (w/ Heating Jackets)	1
6			16	Casing (w/ 90° Threaded Ports)	1	26	Hex Bolt M8x50	2
7	Ball Bearing (3205-2RS)	1	17	Casing (w/ 90° Flanged Ports)	1	27	Nut M8	2
8	Packing Press	1	18	Casing (w/ 180° Flanged Ports)	1	28	Grub Screw M8x16	4
9	Soft Seal / Packing Gland	1 TK	19	Cover Gasket	1			
10	Bracket Bushing	1	20	Rotor Gear	1			

Spare Parts List - Sealed with mechanical seal, and pressure relief valve on cover:



No.	Part Name.	Qty.	No.	Part Name.	Qty.	No.	Part Name.	Qty.
1	Coupling Key 6x6x45 AB	1	14	Inbus Bolt M8x25	1	27	Pressure Relief Valve - Bypass	1
2	Lock Nut	1	15	Bracket	1	28	Bypass O-Ring	1
3	Lock Washer	1	16	Bracket Gasket	1	29	Valve	1
4	Spacer	1	17	Casing (w/ 90° Threaded Ports)	1	30	Spring	1
5	Adjusting Nut	2	18	Casing (w/ 90° Flanged Ports)	1	31	Washer	1
6			19	Casing (w/ 180° Flanged)	1	32	Bypass Cover	1
7	Ball Bearing (3205-2RS)	1	20	Cover Gasket	1	33	Cap O-Ring	1
8	Internal Circlip (ø55)	2	21	Rotor Gear	1	34	Nut M8	1
9	Lip Seal ø30xø55x10	1	22	Idler Gear	1	35	Adjusting Screw M8x55	1
10	Ball Bearing (6006)	1	23	Idler Bushing	1	36	Cap	1
11	Mechanical Seal Ø30	1	24	Cover Pin	1	37	Grub Screw M8x16	4
12	Shaft	1	25	Cover (w/ Bypass Inlets)	1			
13	Rotor Key 6x6x20 A	17	26	Bypass Gasket	1			

Spare Parts List - Sealed with mechanical seal, jacketed, and with blind cover:



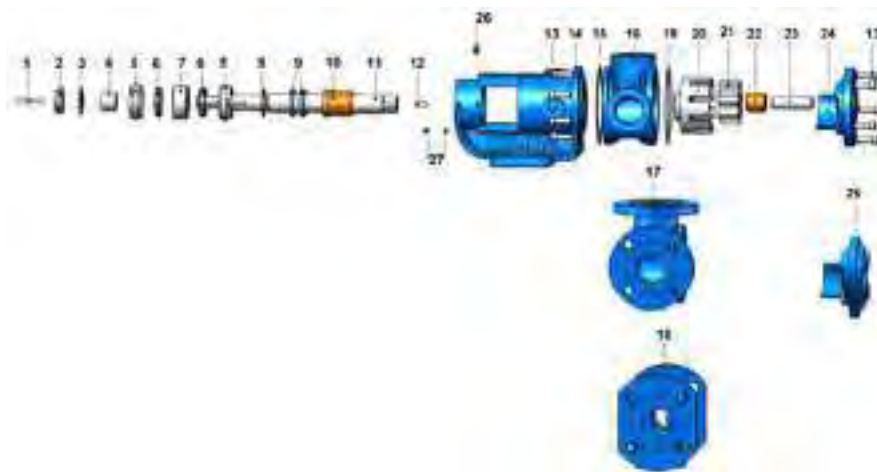
No.	Part Name.	Qty.	No.	Part Name.	Qty.	No.	Part Name.	Qty.
1	Coupling Key 6x6x45 AB	1	10	Ball Bearing (6006)	1	19	Casing (w/ 180° Flanged Ports)	1
2	Lock Nut	1	11	Mechanical Seal Ø30	1	20	Cover Gasket	1
3	Lock Washer	1	12	Shaft	1	21	Rotor Gear	1
4	Spacer	1	13	Rotor Key 6x6x20 A	1	22	Idler Gear	1
5	Adjusting Nut	2	14	Inbus Bolt M8x25	13	23	Idler Bushing	1
				Inbus Bolt M8x30 For Cover w/ Heating Jacket	5	24	Cover Pin	1
6			15	Bracket	1	25	Blind Cover	1
7	Bearing (3205-2RS)	1	16	Bracket Gasket	1	26	Cover (w/ Heating Jacket)	1
8	Internal Circlip (ø55)	2	17	Casing (w/ 90° Threaded Ports)	1	27	Grub Screw M8x16	4
9	Lip Seal ø30xø55x10	1	18	Casing (w/ 90° Flanged Ports)	1			

Spare Parts List - Sealed with lip seal, jacketed and with blind cover:



No.	Part Name.	Qty.	No.	Part Name.	Qty.	No.	Part Name.	Qty.
1	Coupling Key 6x6x45 AB	1	10	Bracket Bushing	1	19	Cover Gasket	1
2	Lock Nut	1	11	Shaft	1	20	Rotor Gear	1
3	Lock Washer	1	12	Rotor Key 6x6x20 A	1	21	Idler Gear	1
4	Spacer	1	13	Inbus Bolt M8x25	13	22	Idler Bushing	1
				Inbus Bolt M8x30 For Cover w/ Heating Jacket	5			
5	Adjusting Nut	2	14	Bracket	1	23	Cover Pin	1
6			15	Bracket Gasket	1	24	Blind Cover	1
7	Ball Bearing (3205-2RS)	1	16	Casing (w/ 90° Threaded Ports)	1	25	Cover (w/ Heating Jacket)	1
8	Internal Circlip (ø42)	1	17	Casing (w/ 90° Flanged Ports)	1	26		
9	Lip Seal ø30xø42x7	2	18	Casing (w/ 180° Flanged Ports)	1	27	Grub Screw M8x16	4

Spare Parts List - Double jacketed and sealed with lip seal:



No.	Part Name.	Qty.	No.	Part Name.	Qty.	No.	Part Name.	Qty.
1	Coupling Key 6x6x45 AB	1	10	Bracket Bushing	1	19	Cover Gasket	1
2	Lock Nut	1	11	Shaft	1	20	Rotor Gear	1
3	Lock Washer	1	12	Rotor Key 6x6x20 A	1	21	Idler Gear	1
4	Spacer	1	13	Inbus Bolt M8x25	13	22	Idler Bushing	1
				Inbus Bolt M8x30 For Cover w/ Heating Jacket	5			
5	Adjusting Nut	2	14	Bracket Jacketed	1	23	Cover Pin	1
6			15	Bracket Gasket	1	24	Blind Cover	1
7	Ball Bearing (3205-2RS)	1	16	Casing (w/ 90° Threaded Ports)	1	25	Cover (w/ Heating Jacket)	1
8	Internal Circlip (ø42)	1	17	Casing (w/ 90° Flanged Ports)	1	26		
9	Lip Seal ø30xø42x7	2	18	Casing (w/ 180° Flanged Ports)	1	27	Grub Screw M8x16	4



YKUF 2½" Internal Eccentric Gear Pump



Performance:

Flow rate	32 m³/h
Pressure	1 - 14 bar
Temperature	0 - 200 °C
Speed	420 d/d
Viscosity	100 - 250000 SSU

Technical Features:

- ✓ Internal eccentric gear pump
- ✓ 2½" flanged ports
- ✓ Compact design
- ✓ Reliable construction thanks to only two moving parts
- ✓ Various material options
- ✓ Available with external bypass, jacketed and blind cover
- ✓ 230v, three phase 50/60hz motors available
- ✓ Gearbox and belt pulley drive available
- ✓ Manufactured according to CE regulations

Applications:

- ✓ Fuel oil, diesel fuel and gas oil transfer
- ✓ Small scale thermal oil applications including Marlotherm, Duratherm, Paratherm, Multitherm, Mobiltherm and Dowtherm
- ✓ Lubrication applications
- ✓ Coolant transfer
- ✓ Any transfer of low to medium viscosity fluids with lubricating properties
- ✓ Not suitable for fluids containing abrasive particles

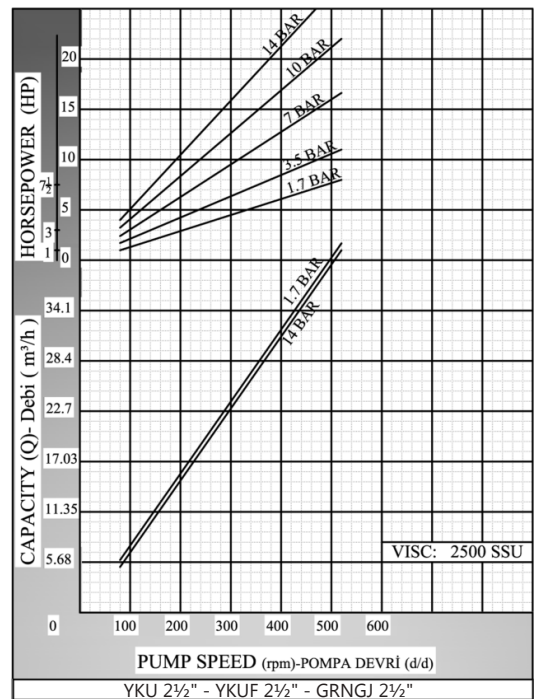
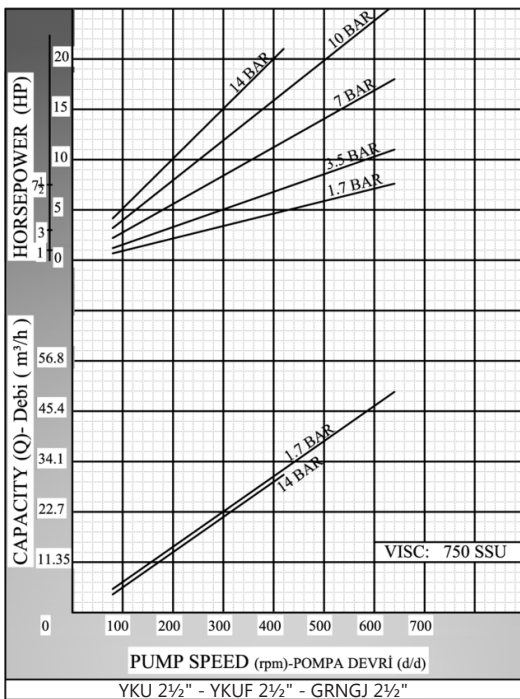
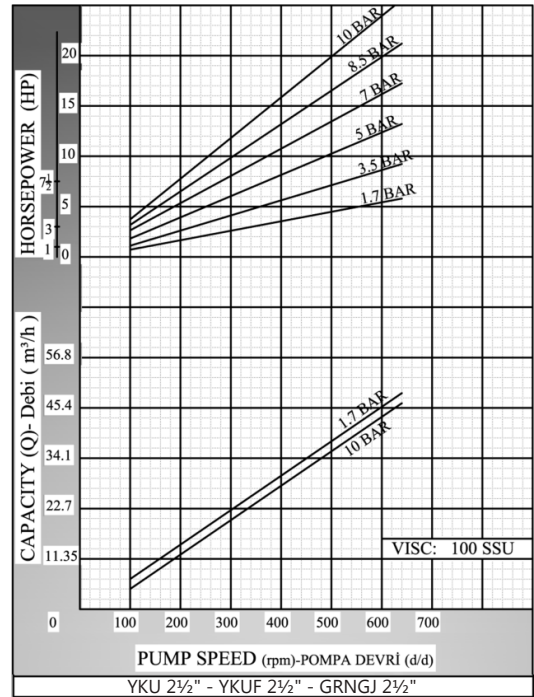
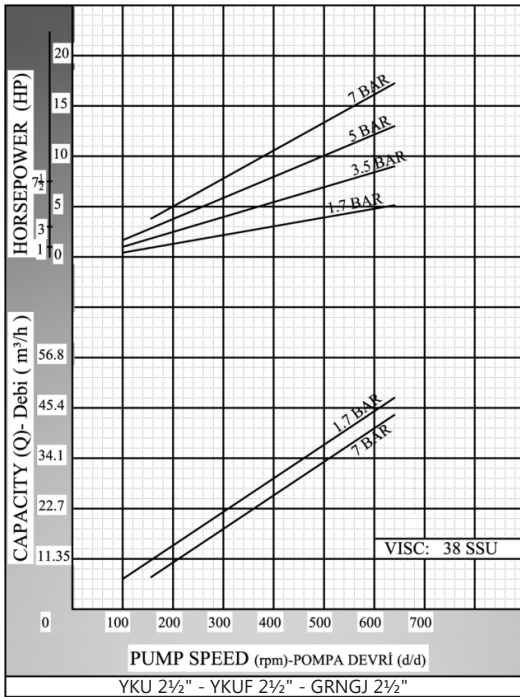
Material Options:

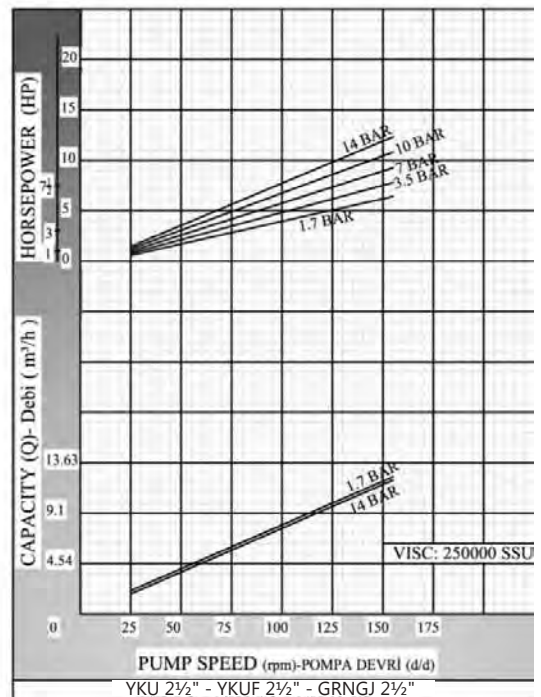
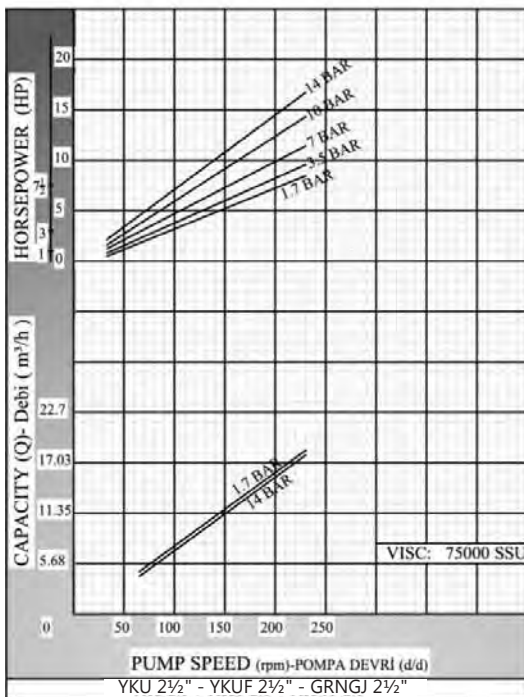
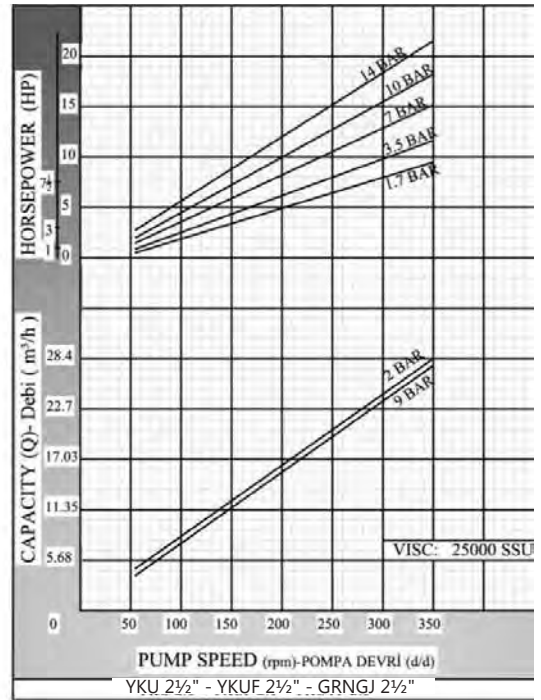
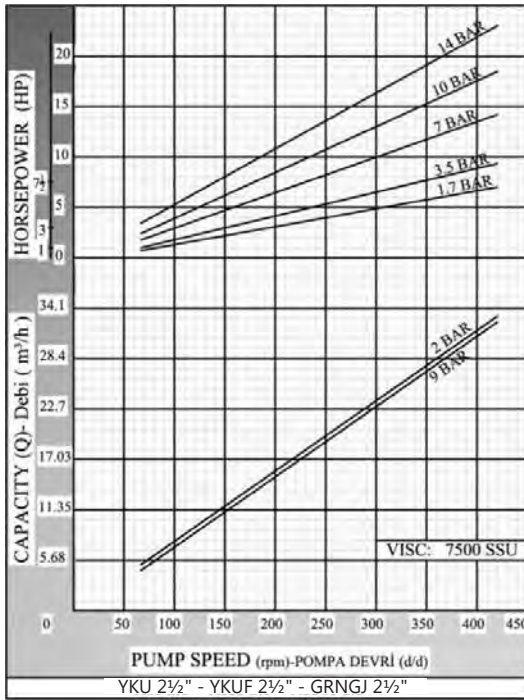
- ✓ Pump body, covers: Pig cast iron, Spheroidal cast iron, cast steel, AISI 304/316 CrNi Stainless Steel
- ✓ Gears: Spheroidal cast iron, cast steel, AISI 304/316 CrNi Stainless Steel
- ✓ Bearings: Snbz 12 bronze, carbon graphite, silicon carbide, hard metal coated steel, bearing
- ✓ Sealing: Soft seal or packing gland, Rotatherm seal, lip seal, mechanical seal, cartridge type mechanical seal

Capacity & Power Table						
Capacity (Q)	Speed (rpm)	Pressure				Viscosity
		2.5 Bar	5 Bar	7.5 Bar	10 Bar	
4	60	3 HP	4 HP	5.5 HP	5.5 HP	75000 SSU
5	80	4 HP	5.5 HP	5.5 HP	5.5 HP	25000 SSU
6	100	4 HP	5.5 HP	5.5 HP	7.5 HP	25000 SSU
16	200	7.5 HP	10 HP	10 HP	15 HP	75000 SSU
22	280	7.5 HP	10 HP	15 HP	15 HP	25000 SSU
27	350	7.5 HP	10 HP	15 HP	20 HP	7500 SSU
32	400	7.5 HP	10 HP	15 HP	20 HP	2500 SSU



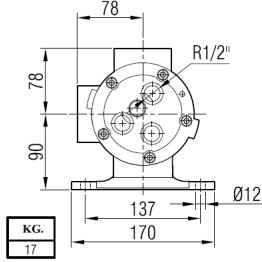
Pump Dimensions - Capacity Graphs:



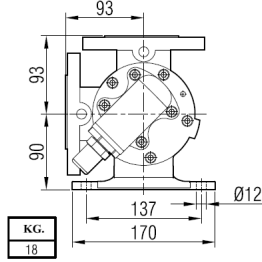


Pump Dimensions:

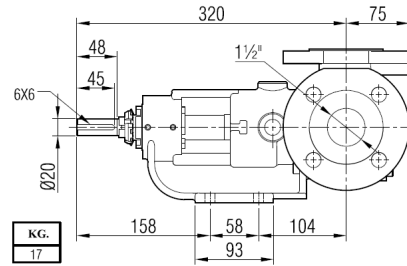
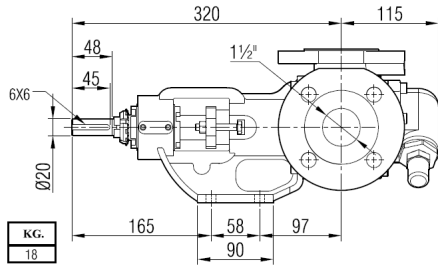
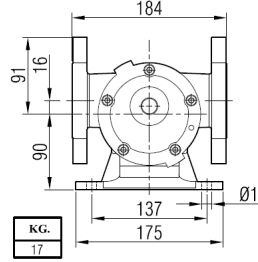
YKU 1½"



YKUF 1½"

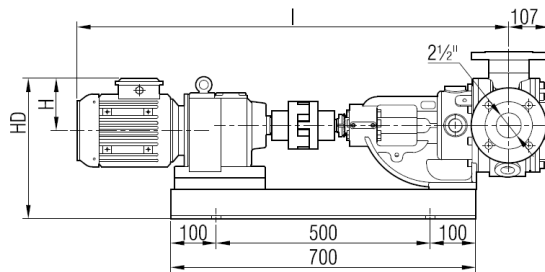
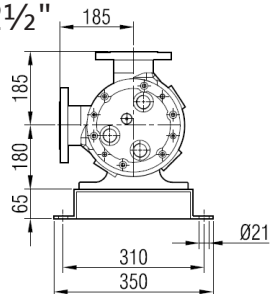


GRNGJ 1½"

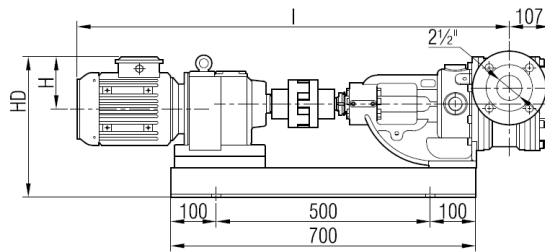
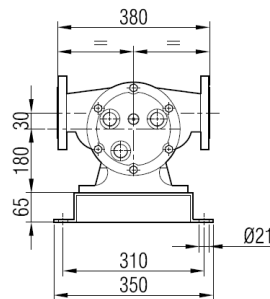


Coupling Dimensions - Gearbox drive:

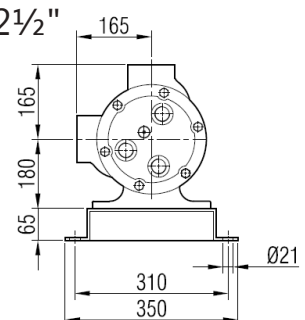
YKUF 2½"



GRNGJ 2½"

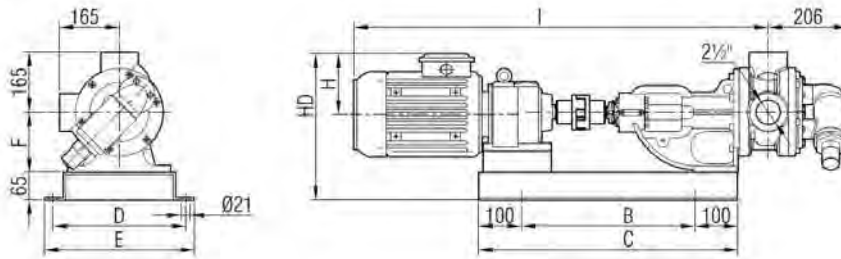


YKU 2½"

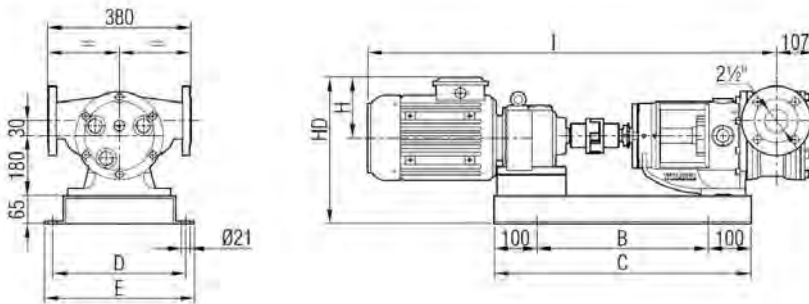


Motor Power & Speed		I	HD	H	Kg	
3-4 hp / 2.2-3 kw		1105	375	141	156	159
47/98 d/d (rpm)	IRAM63/100L					
5.5 hp / 4 kw		1125	383	149	161	
87/93 d/d (rpm)	IRAM63/112M					

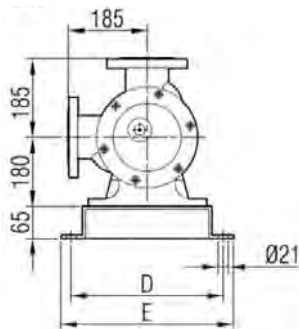
YKU 2½"



GRNGJ 2½"



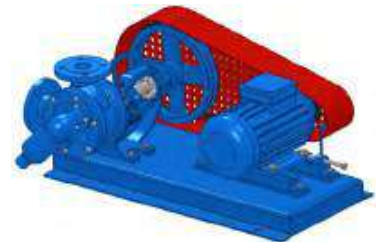
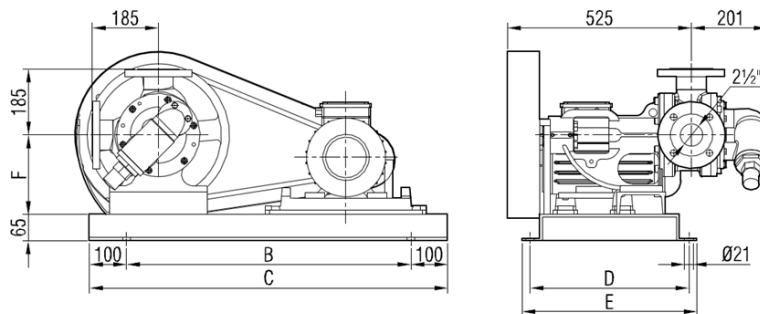
YKUF 2½"



Motor Power & Speed		I	HD	H	B	C	D	E	Kg	
5.5 hp / 4 kw	7.5 hp / 5.5 kw	1123	383	149	500	700	310	350	158	173
87/480 d/d (rpm)	210/450 d/d (rpm)									
IRAM62/112M	IRAM62/C112M									
7.5 hp / 5.5 kw		1215	411	182	600	800	310	350	184	
75/210 d/d (rpm)	IRAM72/132S									
10 hp / 7.5 kw	15 hp / 11 kw	1261	457	225	680	800	390	430	195	197
93/450 d/d (rpm)	200/450 d/d (rpm)									
IRAM72/132M	IRAM72/C132M									
20 hp / 15 kw		1446	457	225	680	800	390	430	335	
130/450 d/d (rpm)	IRAM82/160L									

Dimensions - Belt pulley coupling pump dimensions:

YKUF 2½"



Motor Power & Speed		Pump speeds				F(1)	F(2)	F(3)	F(4)	B	C	D	E	Kg
		n1 d/d	n2 d/d	n3 d/d	n4 d/d									
7.5 hp / 5.5 kw	MOTOR 132S	450	400	350	310	180	180	245	245	680	880	390	430	205
10 hp / 7.5 kw	MOTOR 132M									880	1080	480	520	215
15 hp / 11 kw	MOTOR 160M									880	1080	480	520	270

Spare Parts List - Sealed with soft seal, and pressure relief valve on cover:



No.	Part Name.	Qty.	No.	Part Name.	Qty.	No.	Part Name.	Qty.
1	Coupling Key 8x7x50 AB	1	15	Bracket (w/ Heating Jacket)	1	29	Hex Bolt M8x25	8
2	Lock Nut	1	16	Bracket Gasket	1	30	Bypass O-Ring	1
3	Lock Washer	1	17	Casing (w/ 90° Threaded Ports)	1	31	Valve	1
4	Spacer	1	18	Casing (w/ 90° Flanged Ports)	1	32	Spring	1
5	Adjusting Nut	2	19	Casing (w/ 90° Flanged Ports & w/ Heating Jackets)	1	33	Washer	1
6	Lip Seal ø40xø62x10	2	20	Casing (w/ 180° Flanged Ports)	1	34	Bypass Cover	1
7	Ball Bearing (3207)	1	21	Cover Gasket	1	35	Cap O-Ring	1
8	Packing Press	1	22	Rotor Gear	1	36	Nut M12	1
9	Soft Seal / Packing Gland	1 TK	23	Idler Gear	1	37	Adjusting Screw M12x80	1
10	Bracket Bushing	1	24	Idler Bushing	1	38	Cap	1
11	Shaft	1	25	Cover Pin	1	39	Greasing Fitting R3/8"	1
12	Rotor Key 10x8x35 A	1	26	Cover (w/ Bypass Inlets)	1	40	Grub Screws M10x16	4
13	Hex Bolt M12x35	15	27	Bypass Gasket	2	41	Nut M10	2
14	Bracket	1	28	Pressure Relief Valve	1	42	Square Screw M10x70	2

Spare Parts List - Sealed with soft seal, jacketed and with blind cover:



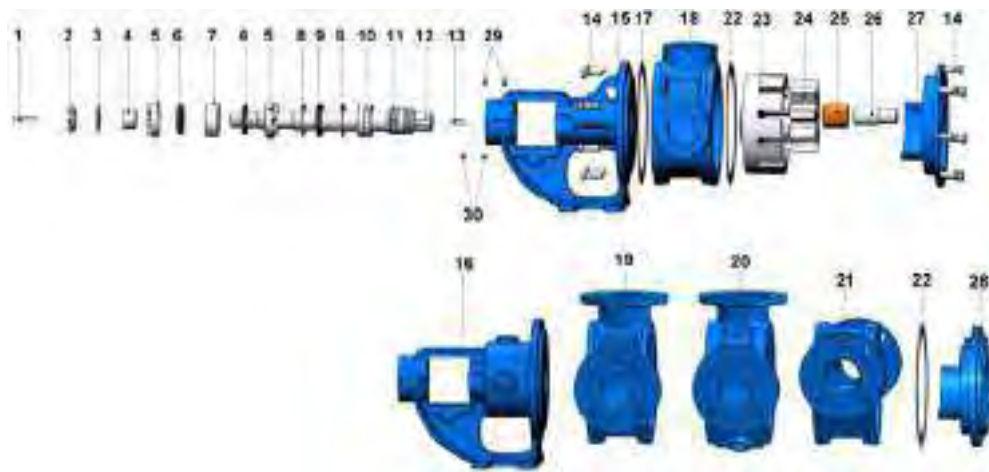
No.	Part Name.	Qty.	No.	Part Name.	Qty.	No.	Part Name.	Qty.
1	Coupling Key 8x7x50 AB	1	12	Rotor Key 10x8x35 A	1	23	Idler Gear	1
2	Lock Nut	1	13	Hex Bolt M12x35	15	24	Idler Bushing	1
				Hex Bolt M12x40 For Cover w/ Heating Jacket	7			
3	Lock Washer	1	14	Bracket	1	25	Cover Pin	1
4	Spacer	1	15	Bracket (w/ Heating Jacket)	1	26	Blind Cover	1
5	Adjusting Nut	2	16	Bracket Gasket	1	27	Cover (w/ Heating Jacket)	1
6	Lip Seal ø40xø62x10	2	17	Casing (w/ 90° Threaded Ports)	1	28	Greasing Fitting R3/8"	1
7	Ball Bearing (3207)	1	18	Casing (w/ 90° Flanged Ports)	1	29	Grub Screws M10x16	4
8	Packing Press	1	19	Casing (w/ 90° Flanged Ports & w/ Heating Jacket)	1	30	Nut M10	2
9	Soft Seal / Packing Gland	1 TK	20	Casing (w/ 180° Flanged Ports)	1	31	Square Screw M10x70	2
10	Bracket Bushing	1	21	Cover Gasket	2			
11	Shaft	1	22	Rotor Gear	1			

Spare Parts List - Sealed with mechanical seal, and pressure relief valve on cover:



No.	Part Name.	Qty.	No.	Part Name.	Qty.	No.	Part Name.	Qty.
1	Coupling Key 8x7x50 AB	1	15	Bracket	1	29	Pressure Relief Valve - Bypass	1
2	Lock Nut	1	16	Bracket (w/ Heating Jacket)	1	30	Hex Bolt M8x25	8
3	Lock Washer	1	17	Bracket Gasket	1	31	Bypass O-Ring	1
4	Spacer	1	18	Casing (w/ 90° Threaded Ports)	1	32	Valve	1
5	Adjusting Nut	2	19	Casing (w/ 90° Flanged Ports)	1	33	Spring	1
6	Lip Seal $\phi 40 \times \phi 62 \times 10$	2	20	Casing (w/ 90° Flanged Ports & w/ Heating Jackets)	1	34	Washer	1
7	Ball Bearing (3207)	1	21	Casing (w/ 180° Flanged Ports)	1	35	Bypass Cover	1
8	Internal Circlip ($\phi 68$)	2	22	Cover Gasket	1	36	Cap O-Ring	1
9	Lip Seal $\phi 40 \times \phi 68 \times 10$	1	23	Rotor Gear	1	37	Nut M12	1
10	Ball Bearing	2	24	Idler Gear	1	38	Adjusting Screw M12x80	1
11	Mechanical Seal $\phi 40$	1	25	Idler Bushing	1	39	Cap	1
12	Shaft	1	26	Cover Pin	1	40	Greasing Fitting R3/8"	2
13	Rotor Key 10x8x35 A	1	27	Cover (w/ Bypass Inlets)	1	41	Grub Screws M10x16	4
14	Hex Bolt M12x35	15	28	Bypass Gasket	2	42		

Spare Parts List - Sealed with mechanical seal, jacketed, and with blind cover:



No.	Part Name.	Qty.	No.	Part Name.	Qty.	No.	Part Name.	Qty.
1	Coupling Key 8x70x50 AB	1	11	Mechanical Seal $\phi 40$	1	21	Casing (w/ 180° Flanged Ports)	1
2	Lock Nut	1	12	Shaft	1	22	Cover Gasket	2
3	Lock Washer	1	13	Rotor Key 10x8x35 A	1	23	Rotor Gear	1
4	Spacer	1	14	Hex Bolt M12x35	15	24	Idler Gear	1
				Hex Bolt M12x40 For Cover w/ Heating Jacket	7			
5	Adjusting Nut	2	15	Bracket	1	25	Idler Bushing	1
6	Lip Seal $\phi 40 \times \phi 68 \times 10$	2	16	Bracket (w/ Heating Jacket)	1	26	Cover Pin	1
7	Ball Bearing (3207)	1	17	Bracket Gasket	1	27	Blind Cover	1
8	Internal Circlip ($\phi 68$)	2	18	Casing (w/ 90° Threaded Ports)	1	28	Cover (w/ Heating Jacket)	1
9	Lip Seal $\phi 40 \times \phi 68 \times 10$	1	19	Casing (w/ 90° Flanged Ports)	1	29	Greasing Fitting R3/8"	2
10	Ball Bearing (6008)	2	20	Casing (w/ 90° Flanged Ports & w/ Heating Jackets)	1	30	Grub Screws M10x16	4

Spare Parts List - Sealed with lip seal, jacketed and with blind cover:



No.	Part Name.	Qty.	No.	Part Name.	Qty.	No.	Part Name.	Qty.
1	Coupling Key 8x7x50 AB	1	11	Shaft	1	21	Cover Gasket	2
2	Lock Nut	1	12	Rotor Key 10x8x35 A	1	22	Rotor Gear	1
3	Lock Washer	1	13	Hex Bolt M12x35	15	23	Idler Gear	1
				Hex Bolt M12x40 For Cover w/ Heating Jacket	7			
4	Spacer	1	14	Bracket	1	24	Idler Bushing	1
5	Adjusting Nut	2	15	Bracket (w/ Heating Jacket)	1	25	Cover Pin	1
6	Lip Seal $\varnothing 40 \times \varnothing 62 \times 10$	2	16	Bracket Gasket	1	26	Blind Cover	1
7	Ball Bearing (3207)	1	17	Casing (w/ 90° Threaded Ports)	1	27	Cover (w/ Heating Jacket)	1
8	Internal Circlip ($\varnothing 56$)	1	18	Casing (w/ 90° Flanged Ports)	1	28	Greasing Fitting R3/8"	1
9	Lip Seal $\varnothing 40 \times \varnothing 56 \times 10$	3	19	Casing (w/ 90° Flanged Ports & w/ Heating Jacket)	1	29	Grub Screw M10x16	4
10	Bracket Bushing	1	20	Casing (w/ 180° Flanged Ports)	1			

Spare Parts List - Sealed with cartex mechanical seal, and pressure relief valve on cover:



No.	Part Name.	Qty.	No.	Part Name.	Qty.	No.	Part Name.	Qty.
1	Coupling Key 8x7x50 AB	1	15	Hex Socket M12x35	1	29	Pressure Relief Valve - Bypass	1
2	Lock Nut	1	16	Bracket	15	30	Adjusting Screw M8x25	8
3	Lock Washer	1	17	Bracket Gasket	1	31	Bypass O-Ring	11
4	Spacer	1	18	Casing (w/ 90° Threaded Ports)	1	32	Valve	1
5	Pulley Cover	1	19	Casing (w/ 90° Flanged Ports)	1	33	Spring	1
6	Lip Seal $\varnothing 40 \times \varnothing 62 \times 10$	2	20	Casing (w/ 90° Flanged Ports & w/ Heating Jackets)	1	34	Washer	1
7	Ball Bearing (3207)	1	21	Casing (w/ 180° Flanged Ports)	1	35	Bypass Cover	1
8	Stay Bolt M8x16	4	22	Cover Gasket	1	36	Cap O-Ring	1
9	Pulley	1	23	Rotor Gear	1	37	Nut M12	1
10	Hex Socket M10x45	2	24	Idler Gear	1	38	Adjusting Screw M12x80	1
11	Cartex Mechanical Seal $\varnothing 40$	1	25	Idler Bushing	1	39	Cap	1
12	Bracket Bushing	1	26	Cover Pin	1	40	Greasing Fitting R3/8"	1
13	Shaft	1	27	Cover (w/ Bypass Inlets)	1	41	Grub Screws M10x16	2
14	Rotor Key 10x8x35 A	15	28	Bypass Gasket	2			

Spare Parts List - Sealed with cartex mechanical seal, jacketed and with blind cover:



No.	Part Name.	Qty.	No.	Part Name.	Qty.	No.	Part Name.	Qty.
1	Coupling Key 8x70x50 AB	1	11	Cartex Mechanical Seal Ø40	1	21	Casing (w/ 180° Flanged Ports)	1
2	Lock Nut	1	12	Bracket Bushing	1	22	Cover Gasket	2
3	Lock Washer	1	13	Shaft	1	23	Rotor Gear	1
4	Spacer	1	14	Rotor Key 10x8x35 A	1	24	Idler Gear	1
5	Pulley Cover	1	15	Hex Bolt M12x35	15	25	Idler Bushing	1
6	Lip Seal ø40xø62x10	2	15	Hex Bolt M12x40 For Cover w/ Heating Jacket	7	26	Cover Pin	1
7	Ball Bearing (3207)	1	16	Bracket (w/ Cartex, Jacket & Mechanical Seal)	1	27	Blind Cover	1
8	Stay Bolt M8x16	4	17	Bracket Gasket	1	28	Cover (w/ Heating Jacket)	1
9	Pulley	1	18	Casing (w/ 90° Threaded Ports)	1	29	Greasing Fitting R3/8"	1
10	Hex Socket M10x45	2	20	Casing (w/ 90° Flanged Ports & w/ Heating Jackets)	1	30	Grub Screws M10x16	2



YKKF 2" Internal Eccentric Gear Pump



Performance:

Flow rate	11.6 m ³ /h
Pressure	1 - 14 bar
Temperature	0 - 200 °C
Speed	500 d/d
Viscosity	100 - 250000 SSU

Technical Features:

- ✓ Internal eccentric gear pump
- ✓ 2" threaded ports
- ✓ Compact design
- ✓ Reliable construction thanks to only two moving parts
- ✓ Various material options
- ✓ Available with external bypass, jacketed and blind cover
- ✓ 230v, three phase 50/60hz motors available
- ✓ Gearbox and belt pulley drive available
- ✓ Manufactured according to CE regulations

Applications:

- ✓ Fuel oil, diesel fuel and gas oil transfer
- ✓ Small scale thermal oil applications including Marlotherm, Duratherm, Paratherm, Multitherm, Mobiltherm and Dowtherm
- ✓ Lubrication applications
- ✓ Coolant transfer
- ✓ Any transfer of low to medium viscosity fluids with lubricating properties
- ✓ Not suitable for fluids containing abrasive particles

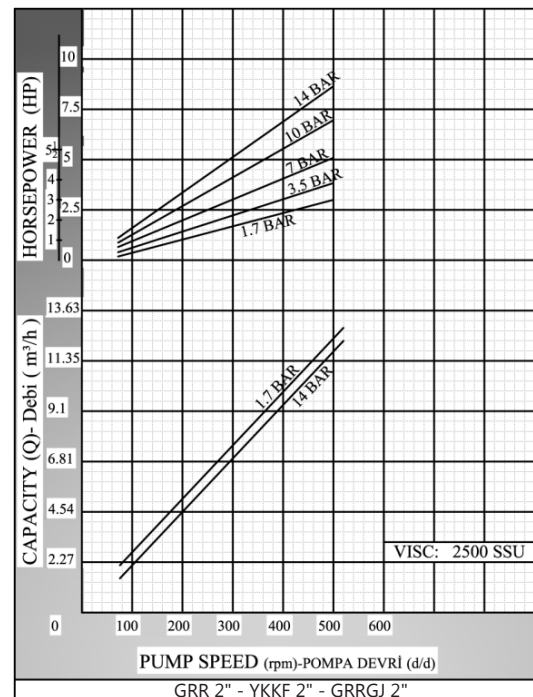
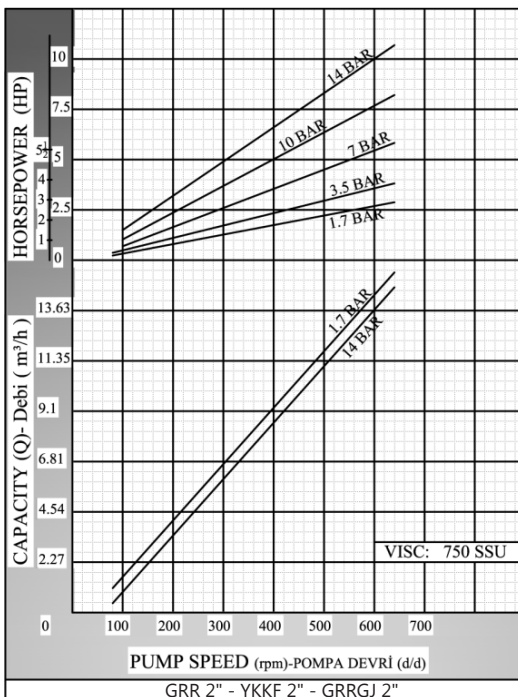
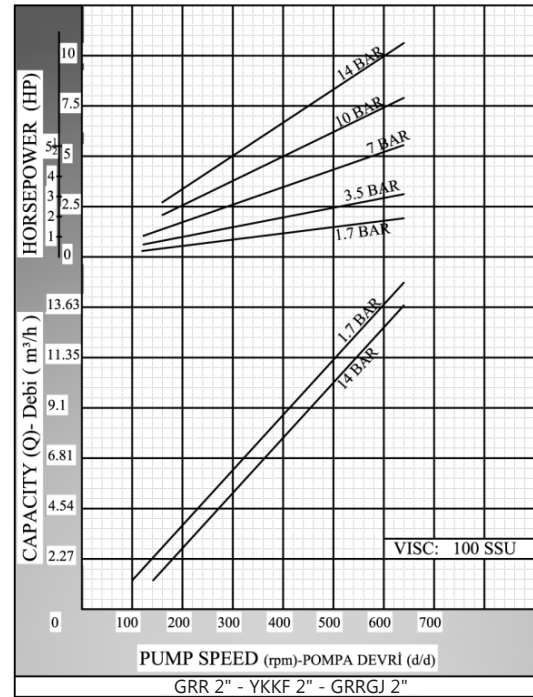
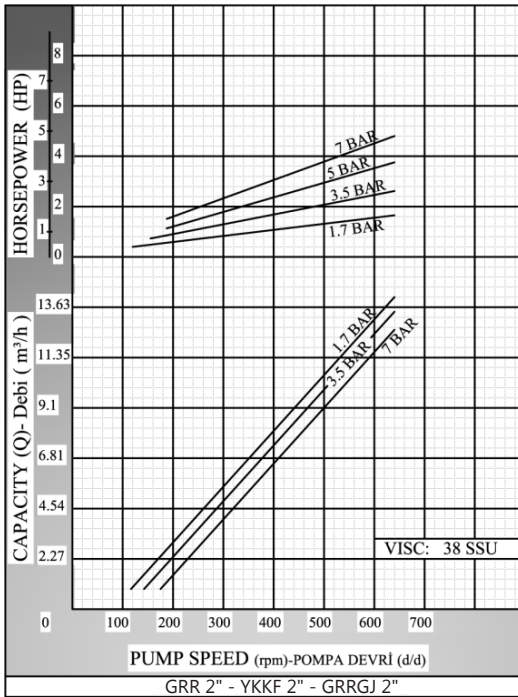
Material Options:

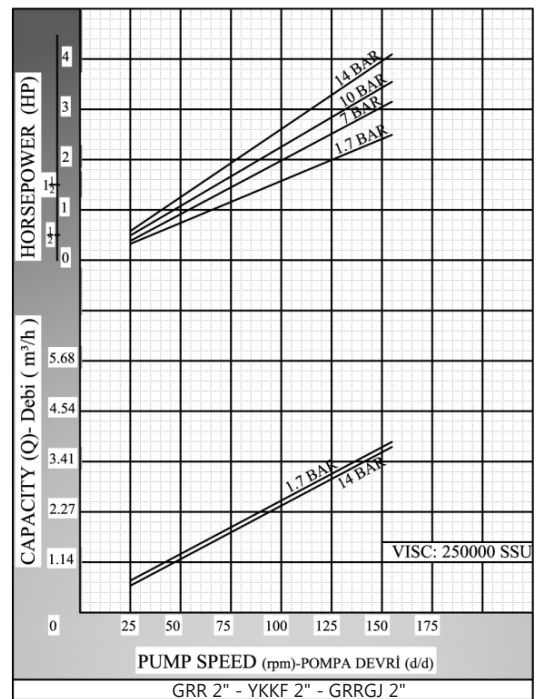
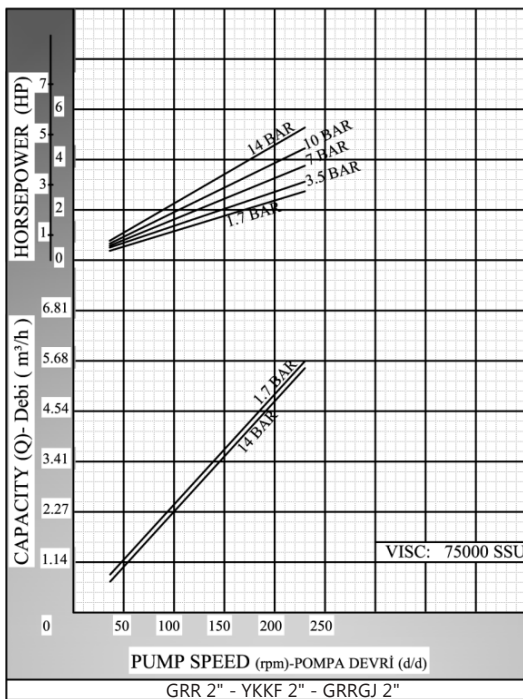
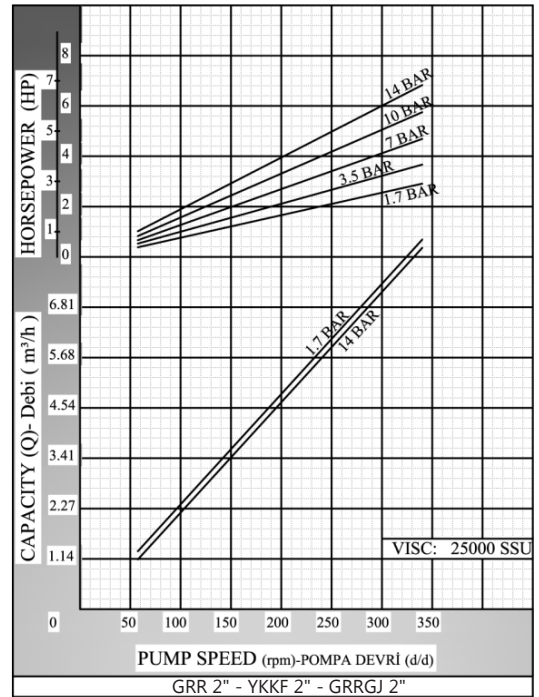
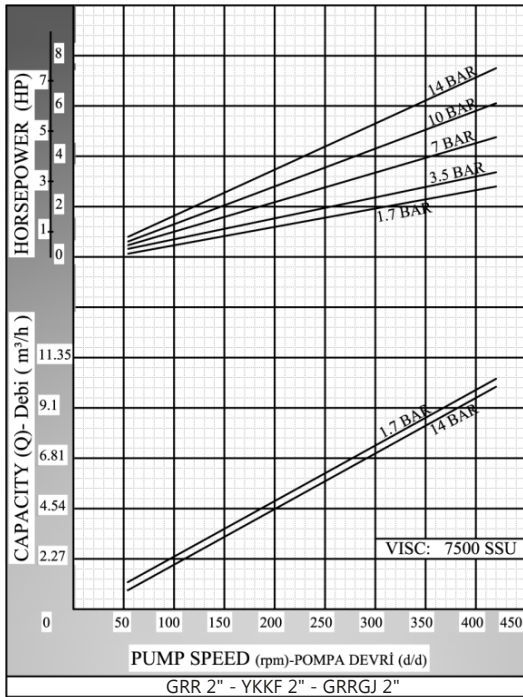
- ✓ Pump body, covers: Pig cast iron, Spheroidal cast iron, cast steel, AISI 304/316 CrNi Stainless Steel
- ✓ Gears: Spheroidal cast iron, cast steel, AISI 304/316 CrNi Stainless Steel
- ✓ Bearings: Snbz 12 bronze, carbon graphite, silicon carbide, hard metal coated steel, bearing
- ✓ Sealing: Soft seal or packing gland, Rotatherm seal, lip seal, mechanical seal, cartridge type mechanical seal

Capacity & Power Table						
Capacity (Q)	Speed (rpm)	Pressure				Viscosity
		3 Bar	6 Bar	9 Bar	12 Bar	
0.9	40	0.5 HP	0.75 HP	1 HP	1.5 HP	75000 SSU
1.2	60	0.75 HP	1 HP	1.5 HP	2 HP	25000 SSU
1.7	100	1 HP	1.5 HP	2 HP	2 HP	25000 SSU
6.3	280	3 HP	3 HP	4 HP	5.5 HP	7500 SSU
7.8	340	3 HP	4 HP	5.5 HP	5.5 HP	2500 SSU
10.5	450	3 HP	4 HP	5.5 HP	7.5 HP	750 SSU



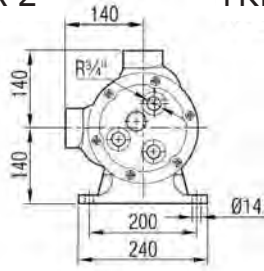
Pump Dimensions - Capacity Graphs:



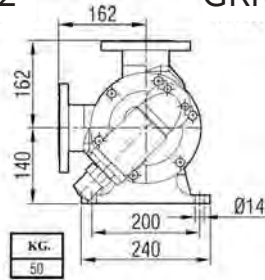


Pump Dimensions:

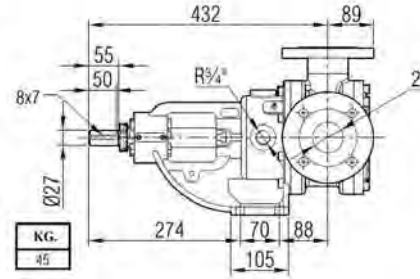
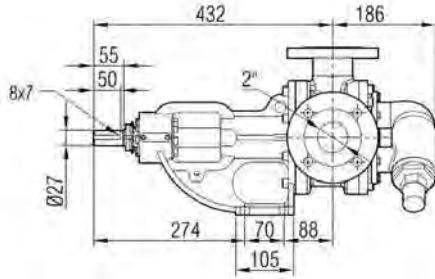
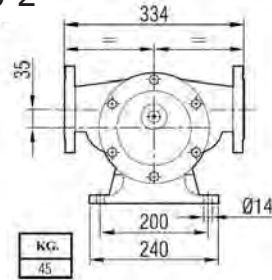
GRR 2"



YKKF 2"

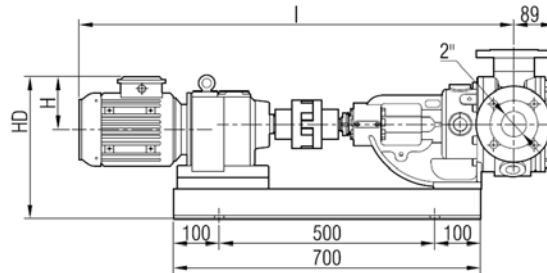
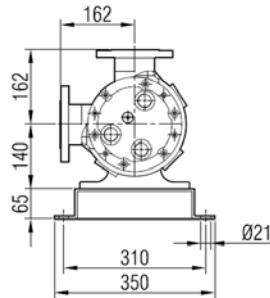


GRRGJ 2"

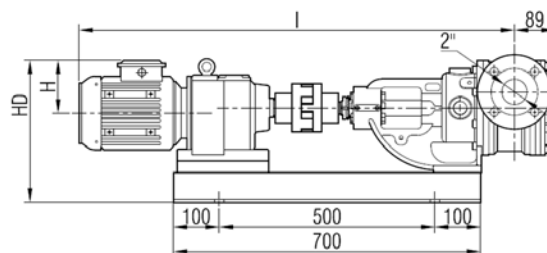
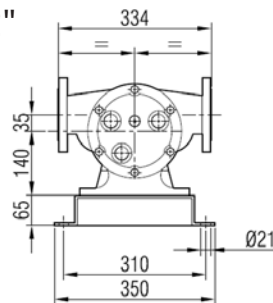


Coupling Dimensions - Gearbox drive:

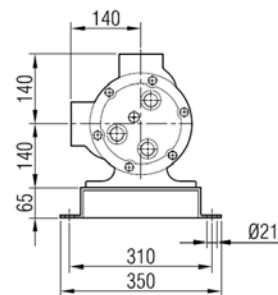
YKKF 2"



GRRGJ 2"

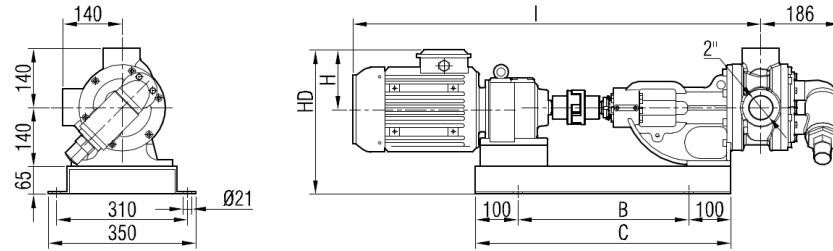


GRR 2"

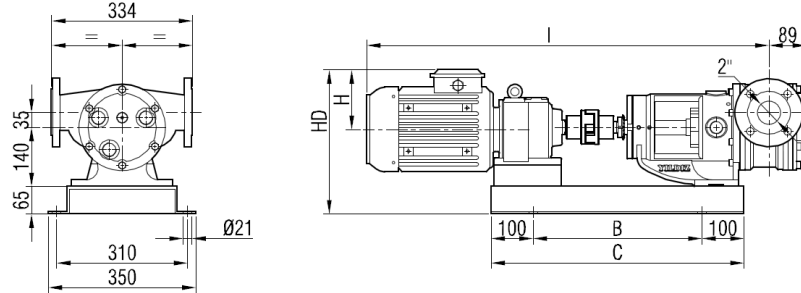


Motor Power & Speed		I	HD	H	Kg	
1 hp / 0.75 kw		950	311	118	115	
20/55 d/d (rpm)	IRAM63/80M					
1.5 hp / 1.1 kw		976	325	132	118	
27/104 d/d (rpm)	IRAM63/90S					
2 hp / 1.5 kw		1001	334	141	120	
33/98 d/d (rpm)	IRAM63/90L					
3 - 4 hp / 2.2 - 3 kw		1042	334	141	124	127
47/98 d/d (rpm)	IRAM63/100L					
5.5 hp / 4 kw		1063	342	149	129	
101/126 d/d (rpm)	IRAM63/112M					

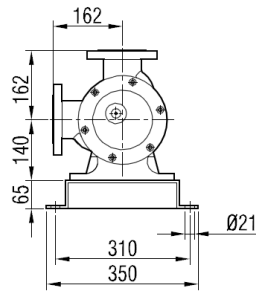
GRR 2"



GRRGJ 2"



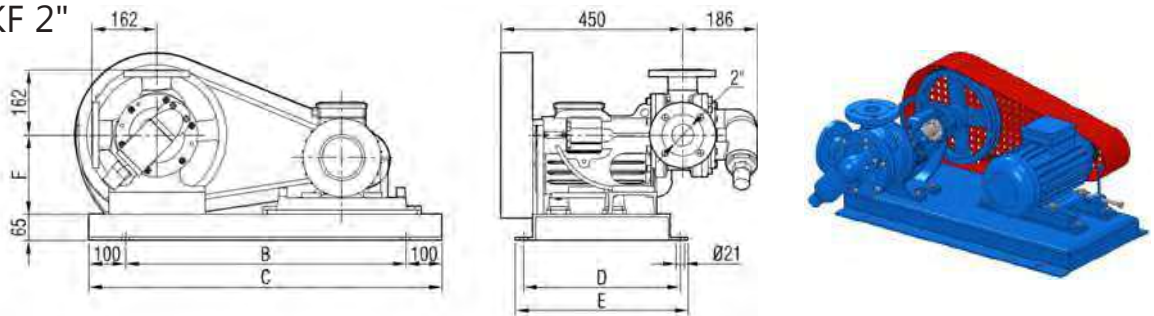
YKKF 2"



Motor Power & Speed		I	HD	H	B	C	Kg	
1.5 hp / 1.1 kw		918	332	132	420	620	98	
60/380 d/d (rpm)	IRAM52/90S							
2 hp / 1.5 kw		943					100	
90/480 d/d (rpm)	IRAM52/90L							
3 hp / 2.2 kw		1001	325				117	
50/234 d/d (rpm)	IRAM62/C90L							
4 hp / 3 kw		1045	334	141	500	700	125	
65/450 d/d (rpm)	IRAM62/100L							
5.5 hp / 4 kw		1065	342	149			127	142
87/480 d/d (rpm)	210/450 d/d (rpm)							
IRAM62/112M	IRAM62/C112M							
7.5 hp / 5.5 kw		1151	371	182	600	800	148	
75/210 d/d (rpm)	IRAM72/132S							

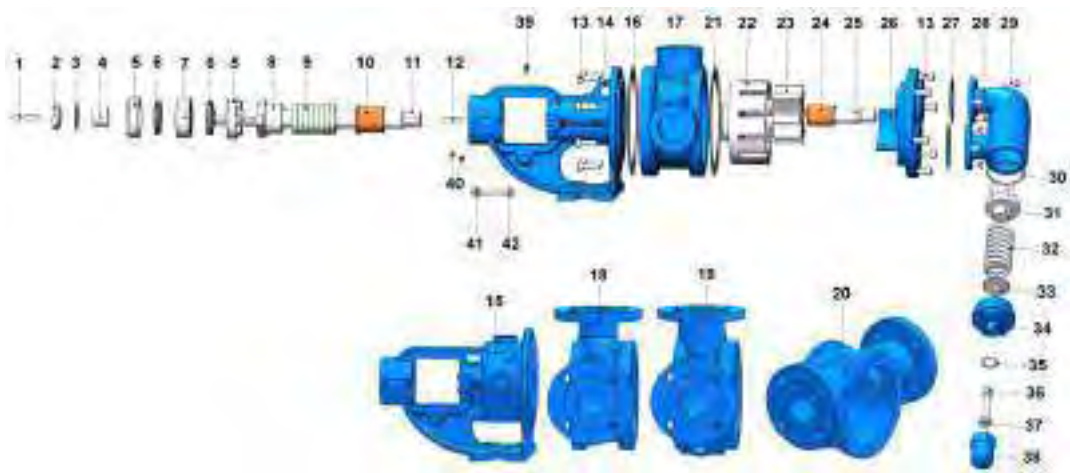
Pump Dimensions - Belt Pulley Coupling:

YKKF 2"



Motor Power & Speed		Pump Speeds				F(1)	F(2)	F(3)	F(4)	B	C	D	E	Kg
		n1 d/d	n2 d/d	n3 d/d	n4 d/d									
3 hp / 2.2 kw	MOTOR 100L	450	400	350	310	140	195	195	250	680	880	390	430	140
4 hp / 3 kw	MOTOR 100L													150
5.5 hp / 4 kw	MOTOR 112M													155
7.5 hp / 5.5 kw	MOTOR 132S													165
10 hp / 7.5 kw	MOTOR 132M													175
15 hp / 11 kw	MOTOR 160M													230
20 hp / 15 kw	MOTOR 160L													240

Spare Parts List - Sealed with soft seal, and pressure relief valve on cover:



No.	Part Name.	Qty.	No.	Part Name.	Qty.	No.	Part Name.	Qty.
1	Coupling Key 8x7x50 AB	1	15	Bracket (w/ Heating Jacket)	1	29	Hex Bolt M8x25	8
2	Lock Nut	1	16	Bracket Gasket	1	30	Bypass O-Ring	1
3	Lock Washer	1	17	Casing (90° Threaded Ports)	1	31	Valve	1
4	Spacer	1	18	Casing (90° Flanged Ports)	1	32	Spring	1
5	Adjusting Nut	2	19	Casing (90° Flanged Ports & w/ Heating Jacket)	1	33	Washer	1
6	Lip Seal ø35xø62x10	2	20	Casing (180° Flanged Ports)	1	34	Bypass Cover	1
7	Ball Bearing (2306)	1	21	Cover Gasket	1	35	Cap O-Ring	1
8	Packing Press	1	22	Rotor Gear	1	36	Nut M12	1
9	Soft Seal / Packing Gland	1 TK	23	Idler Gear	1	37	Adjusting Screw M12x80	1
10	Bracket Bushing	1	24	Idler Bushing	1	38	Cap	1
11	Shaft	1	25	Bypassed Cover Pin	1	39	Greasing Fitting R3/8"	1
12	Rotor Key 8x7x32 A	1	26	Cover (w/ Bypass Inlets)	1	40	Grub Screw M10x16	4
13	Inbus Bolt M10x30	14	27	Bypass Gasket	2	41	Nut M10	2
14	Bracket	1	28	Pressure Relief Valve	1	42	Square Screw M10x70	2

Spare Parts List - Sealed with soft seal, jacketed, and with blind cover:



No.	Part Name.	Qty.	No.	Part Name.	Qty.	No.	Part Name.	Qty.
1	Coupling Key 8x7x50 AB	1	12	Rotor Key 8x7x32 A	1	23	Idler Gear	1
2	Lock Nut	1	13	Inbus Bolt M10x30	14	24	Idler Bushing	1
				Inbus Bolt M10x35 (For Cover w/ Heating Jacket)				
3	Lock Washer	1	14	Bracket	6	25	Cover Pin	1
4	Spacer	1	15	Bracket (w/ Heating Jacket)	1	26	Blind Cover	1
5	Adjusting Nut	2	16	Bracket Gasket	1	27	Cover (w/ Heating Jacket)	1
6	Lip Seal ø35xø62x10	2	17	Casing (90° Threaded Ports)	1	28	Greasing Fitting R3/8"	1
7	Ball Bearing (2306)	1	18	Casing (90° Flanged Ports)	1	29	Grub Screw M10x16	4
8	Packing Press	1	19	Casing (90° Flanged Ports & w/ Heating Jacket)	1	30	Nut M10	2
9	Soft Seal / Packing Gland	1 TK	20	Casing (180° Flanged Ports)	1	31	Square Screw M10x70	2
10	Bracket Bushing	1	21	Cover Gasket	2			
11	Shaft	1	22	Rotor Gear	1			

Spare Parts List - Sealed with mechanical seal, and pressure relief valve on cover:



No.	Part Name.	Qty.	No.	Part Name.	Qty.	No.	Part Name.	Qty.
1	Coupling Key 8x7x50 AB	1	15	Bracket (w/ Heating Jacket)	1	29	Hex Bolt M8x25	8
2	Lock Nut	1	16	Bracket Gasket	1	30	Bypass O-Ring	1
3	Lock Washer	1	17	Casing (90° Threaded Ports)	1	31	Valve	1
4	Spacer	1	18	Casing (90° Flanged Ports)	1	32	Spring	1
5	Adjusting Nut	2	19	Casing (90° Flanged Ports & w/ Heating Jacket)	1	33	Washer	1
6	Lip Seal $\varnothing 35 \times \varnothing 62 \times 10$	3	20	Casing (180° Flanged Ports)	1	34	Bypass Cover	1
7	Ball Bearing (2306)	1	21	Cover Gasket	1	35	Cap O-Ring	1
8	Internal Circlip ($\varnothing 62$)	2	22	Rotor Gear	1	36	Nut M12	1
9	Ball Bearing (6007)	2	23	Idler Gear	1	37	Adjusting Screw M12x80	1
10	Mechanical Seal $\varnothing 35$	1	24	Idler Bushing	1	38	Cap	1
11	Shaft	1	25	Bypassed Cover Pin	1	39	Greasing Fitting R3/8"	2
12	Rotor Key 8x7x32 A	1	26	Cover (w/ Bypass Inlets)	1	40	Grub Screw M10x16	4
13	Inbus Bolt M10x30	14	27	Bypass Gasket	2			
14	Bracket	1	28	Pressure Relief Valve	1			

Spare Parts List - Sealed with soft seal, jacketed, and with blind cover:



No.	Part Name.	Qty.	No.	Part Name.	Qty.	No.	Part Name.	Qty.
1	Coupling Key 8x7x50 AB	1	11	Shaft	1	21	Cover Gasket	2
2	Lock Nut	1	12	Rotor Key 8x7x32 A	1	22	Rotor Gear	1
3	Lock Washer	1	13	Inbus Bolt M10x30	14	23	Idler Gear	1
				Inbus Bolt M10x35 (For Cover w/ Heating Jacket)	6			
4	Spacer	1	14	Bracket	1	24	Idler Bushing	1
5	Adjusting Nut	2	15	Bracket (w/ Heating Jacket)	1	25	Cover Pin	1
6	Lip Seal $\varnothing 35 \times \varnothing 62 \times 10$	3	16	Bracket Gasket	1	26	Blind Cover	1
7	Ball Bearing (2306)	1	17	Casing (90° Threaded Ports)	1	27	Cover (w/ Heating Jacket)	1
8	Internal Circlip ($\varnothing 62$)	2	18	Casing (90° Flanged Ports)	1	28	Greasing Fitting (R3/8")	2
9	Ball Bearing (6007)	2	19	Casing (90° Flanged Ports & w/ Heating Jacket)	1	29	Grub Screw M10x16	4
10	Mechanical Seal $\varnothing 35$	1	20	Casing (180° Flanged Ports)	1			

Spare Parts List - Sealed with lip seal, jacketed and with blind cover:



No.	Part Name.	Qty.	No.	Part Name.	Qty.	No.	Part Name.	Qty.
1	Coupling Key 8x7x50 AB	1	11	Shaft	1	21	Cover Gasket	1
2	Lock Nut	1	12	Rotor Key 8x7x32 A	1	22	Rotor Gear	1
3	Lock Washer	1	13	Inbus Bolt M10x30	14	23	Idler Gear	1
				Inbus Bolt M10x35 (For Cover w/ Heating Jacket)	6			
4	Spacer	1	14	Bracket	1	24	Idler Bushing	1
5	Adjusting Nut	2	15	Bracket (w/Heating Jacket)	1	25	Cover Pin	1
6	Lip Seal $\varnothing 35 \times \varnothing 62 \times 10$	2	16	Bracket Gasket	1	26	Blind Cover	1
7	Ball Bearing (2306)	1	17	Casing (90° Threaded Ports)	1	27	Cover (w/ Heating Jacket)	1
8	Internal Circlip ($\varnothing 56$)	1	18	Casing (90° Flanged Ports)	1	28	Greasing Fitting R3/8"	1
9	Lip Seal $\varnothing 35 \times \varnothing 56 \times 10$	3	19	Casing (90° Flanged Ports & w/ Heating Jacket)	1	29	Grub Screw M10x16	4
10	Bracket Bushing	1	20	Casing (180° Flanged Ports)	1			

Spare Parts List - Sealed with cartex mechanical seal, and pressure relief valve on cover:



No.	Part Name.	Qty.	No.	Part Name.	Qty.	No.	Part Name.	Qty.
1	Coupling Key 8x7x50 AB	1	15	Inbus Bolt M10x30	14	29	Pressure Relief Valve	1
2	Lock Nut	1	16	Bracket (Jacketed & w/ Cartex)	1	30	Hex Bolt M8x25	8
3	Lock Washer	1	17	Bracket Gasket	1	31	Bypass O-Ring	1
4	Spacer	1	18	Casing (90° Threaded Ports)	1	32	Valve	1
5	Adjusting Nut	1	19	Casing (90° Flanged Ports)	1	33	Spring	1
6	Lip Seal $\varnothing 35 \times \varnothing 62 \times 10$	2	20	Casing (90° Flanged Ports & w/ Heating Jacket)	1	34	Washer	1
7	Ball Bearing (2306)	1	21	Casing (180° Flanged Ports)	1	35	Bypass Cover	1
8	Pulley	1	22	Cover Gasket	1	36	Cap O-Ring	1
9	Hex Bolt M10x45	2	23	Rotor Gear	1	37	Nut M12	1
10	M10 Washer	2	24	Idler Gear	1	38	Adjusting Screw M12x80	1
11	Cartex Seal $\varnothing 35$	1	25	Idler Bushing	1	39	Cap	1
12	Bracket Bushing	1	26	Bypassed Cover Pin	1	40	Greasing Fitting R3/8"	2
13	Shaft	1	27	Cover (w/ Bypass Inlets)	1	41	Grub Screw M10x16	4
14	Rotor Key 8x7x32 A	1	28	Bypass Gasket	2			

Spare Parts List - Sealed with cartex mechanical seal, jacketed and with blind cover:



No.	Part Name.	Qty.	No.	Part Name.	Qty.	No.	Part Name.	Qty.
1	Coupling Key 8x7x50 AB	1	11	Cartex Seal Ø35	1	21	Cover Gasket	1
2	Lock Nut	1	12	Bracket Bushing	1	22	Rotor Gear	1
3	Lock Washer	1	13	Shaft	14	23	Idler Gear	1
4	Spacer	1	14	Rotor Key 8x7x32 A	1	24	Idler Bushing	1
5	Adjusting Nut	2	15	Inbus Bolt M10x30	1	25	Cover Pin	1
6	Lip Seal ø35xø62x10	2	16	Inbus Bolt M10x35 (For Cover w/ Heating Jacket)	1	26	Blind Cover	1
7	Ball Bearing (2306)	1	17	Bracket (Jacketed & w/ Cartex)	1	27	Cover (w/ Heating Jacket)	1
8	Pulley	1	18	Bracket Gasket	1	28	Greasing Fitting R3/8"	1
9	Hex Bolt M10x45	3	19	Casing (90° Threaded Ports)	1	29	Grub Screw M10x16	4
10	M10 Washer	1	20	Casing (90°)	1			
				Casing (180° Flanged Ports)	1			



YKBF 3" Internal Eccentric Gear Pump



Performance:

Flow rate	55 m ³ /h
Pressure	1 - 14 bar
Temperature	0 - 200 °C
Speed	400 d/d
Viscosity	100 - 250000 SSU

Technical Features:

- ✓ Internal eccentric gear pump
- ✓ 3" flanged ports
- ✓ Compact design
- ✓ Reliable construction thanks to only two moving parts
- ✓ Various material options
- ✓ Available with external bypass, jacketed and blind cover
- ✓ 230v, three phase 50/60hz motors available
- ✓ Gearbox and belt pulley drive available
- ✓ Manufactured according to CE regulations

Applications:

- ✓ Fuel oil, diesel fuel and gas oil transfer
- ✓ Small scale thermal oil applications including Marlotherm, Duratherm, Paratherm, Multitherm, Mobiltherm and Dowtherm
- ✓ Lubrication applications
- ✓ Coolant transfer
- ✓ Any transfer of low to medium viscosity fluids with lubricating properties
- ✓ Not suitable for fluids containing abrasive particles

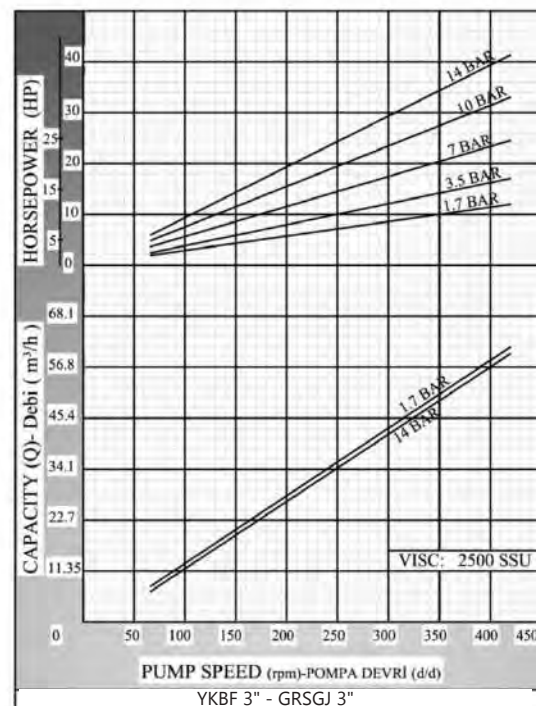
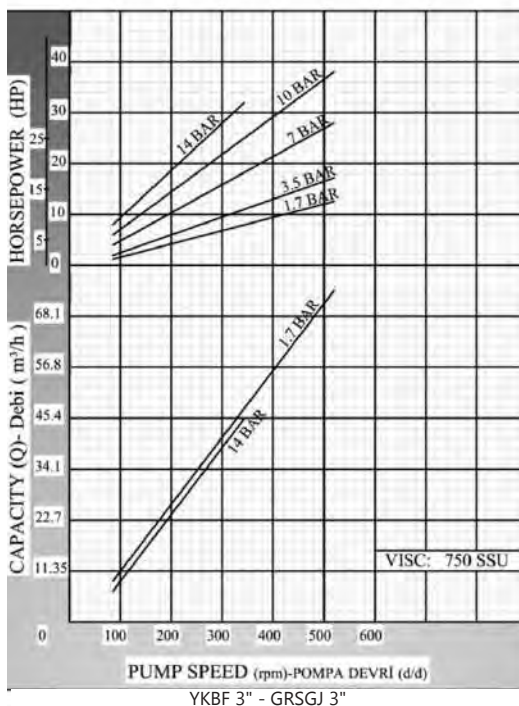
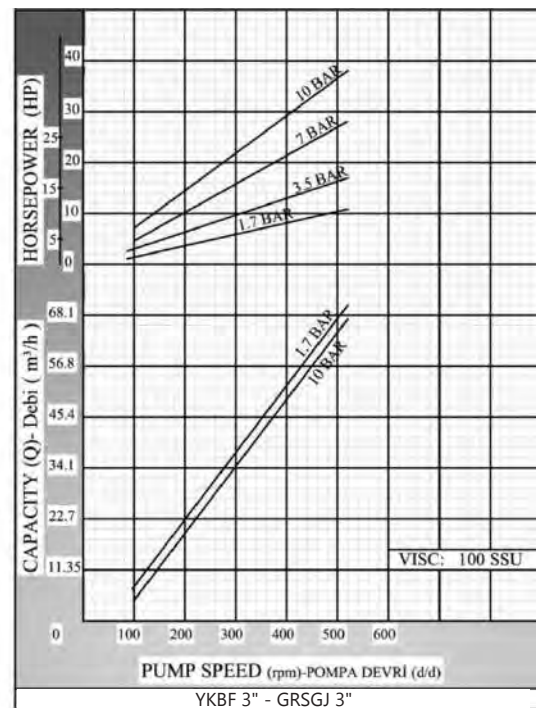
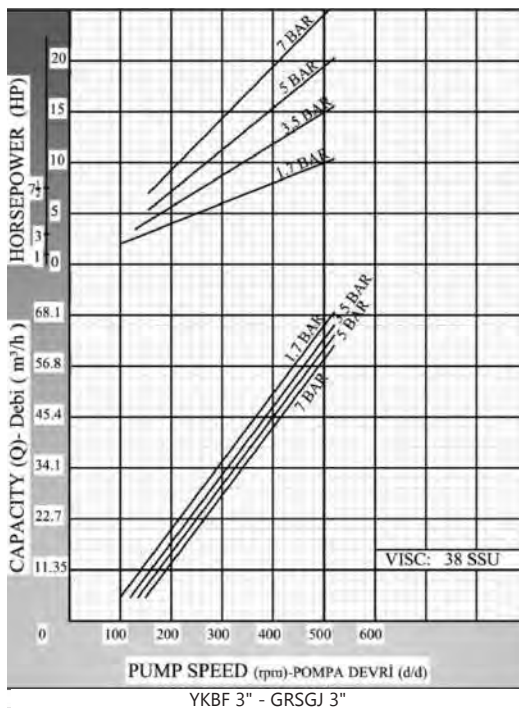
Material Options:

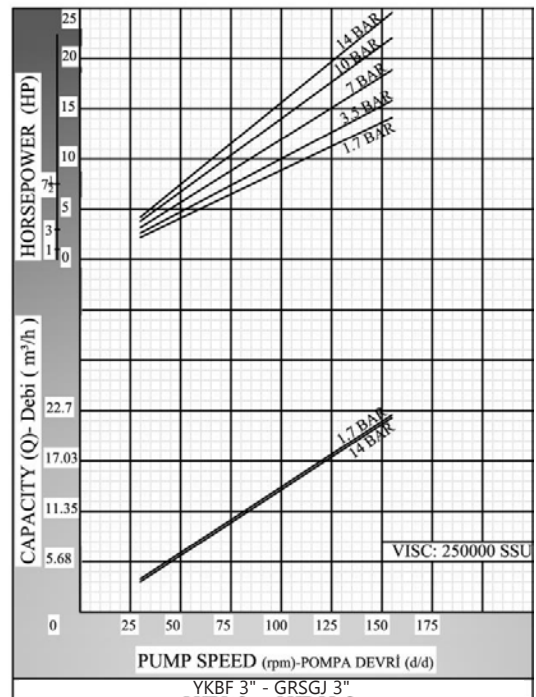
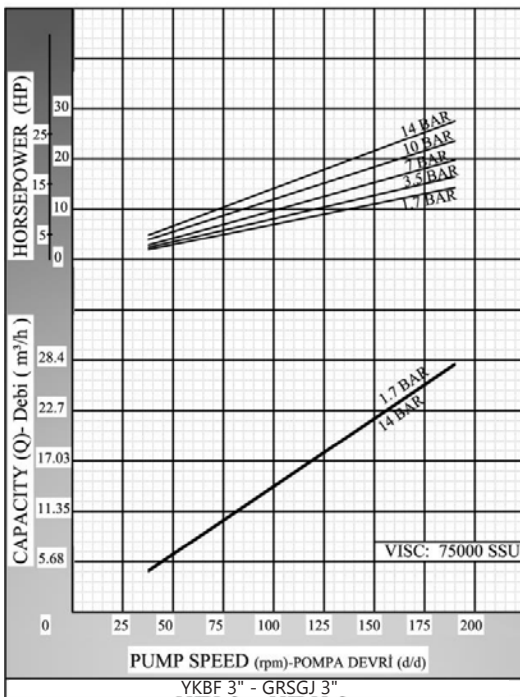
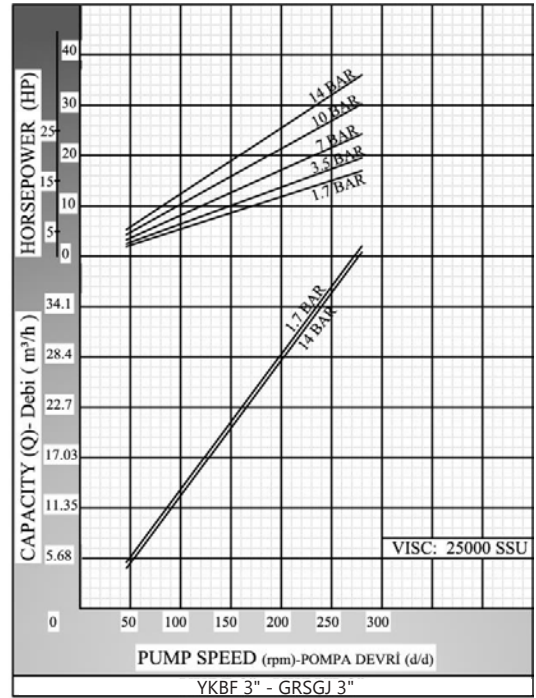
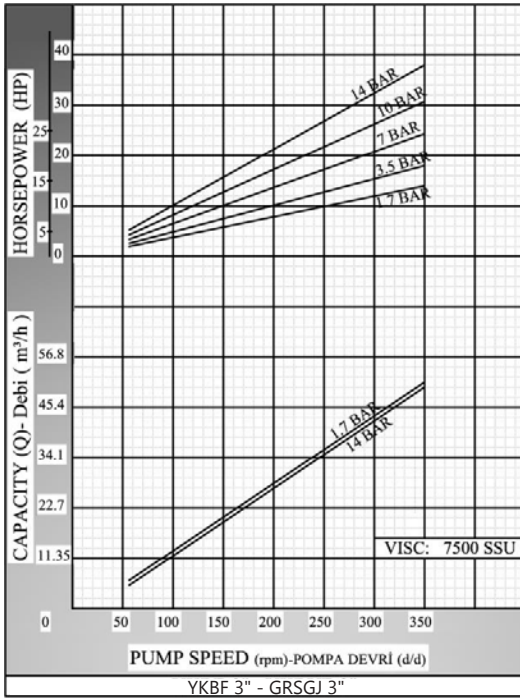
- ✓ Pump body, covers: Pig cast iron, Spheroidal cast iron, cast steel, AISI 304/316 CrNi Stainless Steel
- ✓ Gears: Spheroidal cast iron, cast steel, AISI 304/316 CrNi Stainless Steel
- ✓ Bearings: Snbz 12 bronze, carbon graphite, silicon carbide, hard metal coated steel, bearing
- ✓ Sealing: Soft seal or packing gland, Rotatherm seal, lip seal, mechanical seal, cartridge type mechanical seal

Capacity & Power Table						
Capacity (Q)	Speed (rpm)	Pressure				Viscosity
		2.5 Bar	5 Bar	7.5 Bar	10 Bar	
8	60	5.5 HP	5.5 HP	7.5 HP	7.5 HP	75000 SSU
10	80	7.5 HP	7.5 HP	10 HP	10 HP	25000 SSU
12	100	7.5 HP	10 HP	10 HP	10 HP	25000 SSU
34	250	15 HP	20 HP	25 HP	30 HP	25000 SSU
42	300	15 HP	20 HP	25 HP	30 HP	7500 SSU
50	350	15 HP	20 HP	25 HP	30 HP	2500 SSU
55	400	15 HP	20 HP	25 HP	30 HP	750 SSU



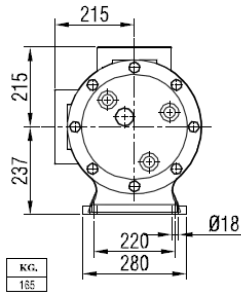
Pump Dimensions - Capacity Graphs:



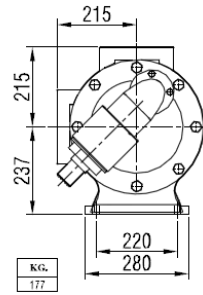


Pump Dimensions:

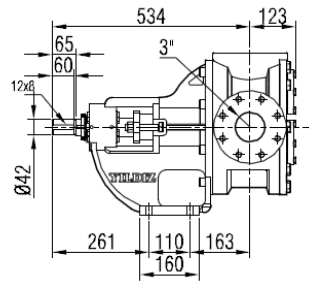
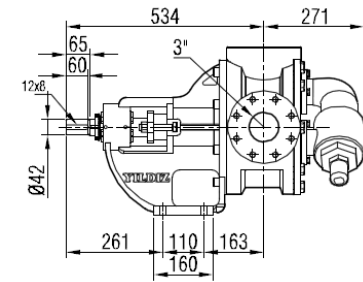
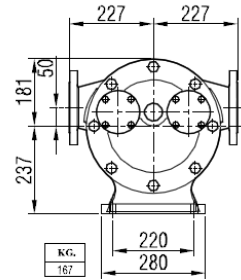
YKBF 3"



YKBF 3"

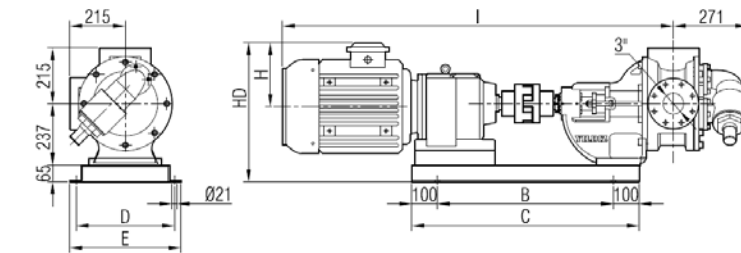


GRSGJ 3"

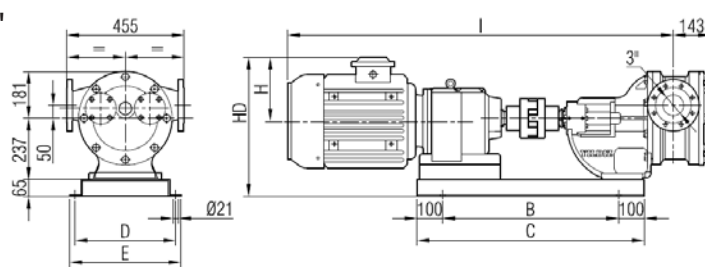


Coupling Dimensions - Gearbox drive:

YKBF 3"

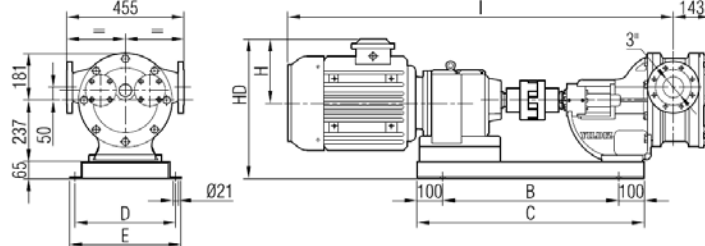


GRSGJ 3"



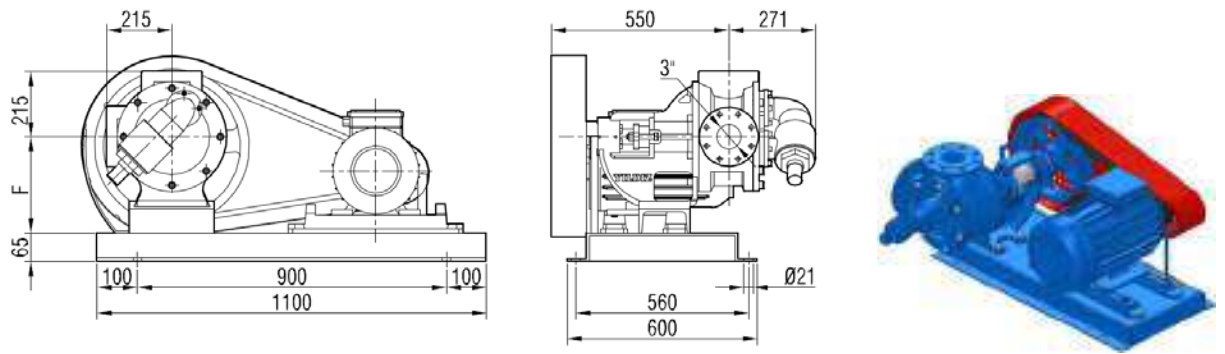
Motor Power & Speed			I	HD	H	B	C	D	E	Kg
15 hp / 11 kw	200/400 d/d (rpm)	IRAM72/C132M	1295	468	182	580	780	380	420	340
20 hp / 15 kw	130/400 d/d (rpm)	IRAM82/160L	1500	513	225	680	880	390	430	400
25 hp / 18.5 kw	159/400 d/d (rpm)	IRAM82/180M	1512	538	248					415
30 hp / 22 kw	55/400 d/d (rpm)	IRAM102/180L	1705	542	248	880	1080	480	520	670

YKBF 3"



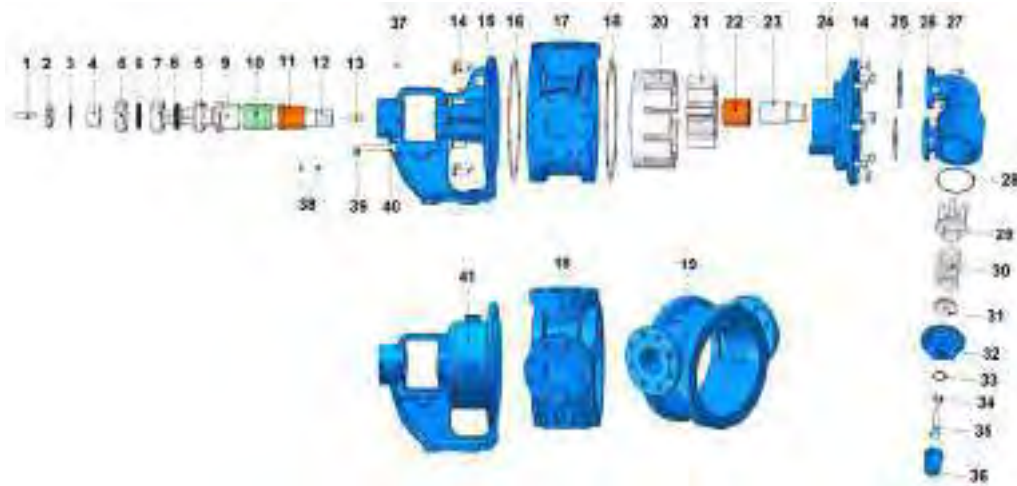
Motor Power & Speed			I	HD	H	B	C	D	E	Kg
5.5 hp / 4 kw	55/95 d/d (rpm)	IRAM73/C100L	1202	427	141	580	780	380	420	290
7.5 hp / 5.5 kw	75/95 d/d (rpm)	IRAM73/C112M	1222	435	149					295
10 hp / 7.5 kw	93/104 d/d (rpm)	IRAM72/132M	1315	468	182					315
10 hp / 7.5 kw	57/91 d/d (rpm)	IRAM83/132M	1390	460		680	880	390	430	350
15 hp / 11 kw	40/57 d/d (rpm)	IRAM93/160M	1542	505	225	830	1030	420	460	460

Belt Pulley Coupling Pump Dimensions:



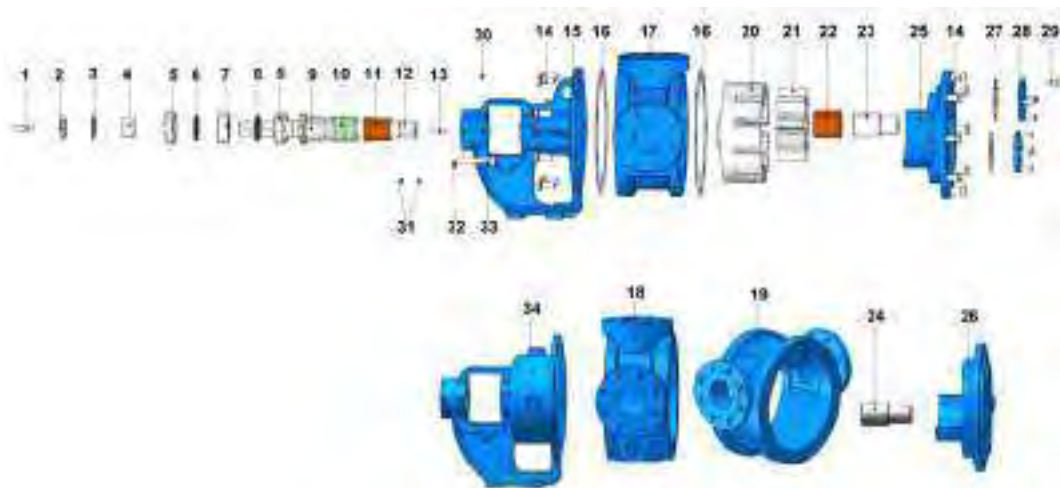
Motor Power & Speed		Pump Speeds				F ₍₁₎	F ₍₂₎	F ₍₃₎	F ₍₄₎	Kg
		N1 d/d	N2 d/d	N3 d/d	N4 d/d					
15 hp / 11 kw	MOTOR 160M	450	400	350	310	237	237	237	237	375
20 hp / 15 kw	MOTOR 160L									385
25 hp / 18.5 kw	MOTOR 180M									410
30 hp / 22 kw	MOTOR 180L									425

Spare Parts List - Sealed with soft seal, and pressure relief valve on cover:



No.	Part Name.	Qty.	No.	Part Name.	Qty.	No.	Part Name.	Qty.
1	Coupling Key 12x8x60 AB	1	15	Bracket	1	29	Valve	1
2	Lock Nut	1	16	Bracket & Cover Gasket	2	30	Spring	1
3	Lock Washer	1	17	Casing (w/ 90° Flanged Ports)	1	31	Washer	1
4	Spacer	1	18	Casing (w/ 90° Flanged & w/ Heating Jacket)	1	32	Bypass Cover	1
5	Adjusting Nut	2	19	Casing (w/ 180° Flanged Ports)	1	33	Cap O-Ring	1
6	Lip Seal $\phi 55 \times \phi 72 \times \phi 10$	1	20	Rotor Gear	1	34	Nut M16	1
7	Ball Bearing (3209)	1	21	Idler Gear	1	35	Adjusting Screw M16x90	1
8	Lip Seal $\phi 50 \times \phi 72 \times \phi 10$	1	22	Idler Bushing	1	36	Cap	1
9	Packing Press	1	23	Cover Pin	1	37	Greasing Fitting R3/8"	1
10	Soft Seal / Packing Gland	1 TK	24	Cover	1	38	Grub Screw M12x16	4
11	Bracket Bushing	1	25	Bypass Gasket	2	39	Nut M14	2
12	Shaft	1	26	Pressure Relief Valve - Bypass	1	40	Square Screw M14x90	2
13	Rotor Key 12x8x45 A	1	27	Hex Bolt M10x30	8	41	Bracket (w/ Heating Jacket)	1
14	Hex Bolt M16 x 40	16	28	Bypass O-Ring	1			

Spare Parts List - Sealed with soft seal, jacketed, and with blind cover:



No.	Part Name.	Qty.	No.	Part Name.	Qty.	No.	Part Name.	Qty.
1	Coupling Key 12x8x60 AB	1	13	Rotor Key 12x8x45 A	1	25	Cover	1
2	Lock Nut	1	14	Hex Bolt M16x40	16	26	Jacketed Cover	1
3	Lock Washer	1	15	Bracket	1	27	Bypass Gasket	2
4	Spacer	1	16	Bracket & Cover Gasket	2	28	Bypass Inlets Cover	2
5	Adjusting Nut	2	17	Casing (w/ 90° Flanged Ports)	1	29	Hex Bolt M10x30	8
6	Lip Seal ø55xø72x10	1	18	Casing (w/ 90° Flanged Ports & w/ Heating Jacket)	1	30	Greasing Fitting R3/8"	1
7	Ball Bearing (3209)	1	19	Casing (w/ 180° Flanged Ports)	1	31	Grub Screw M12x16	4
8	Lip Seal ø50xø72x10	1	20	Rotor Gear	1	32	Nut M14	2
9	Packing Press	1	21	Idler Gear	1	33	Square Screw M14x90	2
10	Soft Seal / Packing Gland	1 TK	22	Idler Bushing	1	34	Bracket (w/ Heating Jacket)	1
11	Bracket Bushing	1	23	Cover Pin	1			
12	Shaft	1	24	Jacketed Cover Pin	1			

Spare Parts List - Sealed with mechanical seal, and pressure relief valve on cover:



No.	Part Name.	Qty.	No.	Part Name.	Qty.	No.	Part Name.	Qty.
1	Coupling Key 12x8x60 AB	1	15	Hex Bolt M16x40	16	29	Bypass O-Ring	1
2	Lock Nut	1	16	Bracket (w/ Adjusting Nut & Mechanical Seal)	1	30	Valve	1
3	Lock Washer	1	17	Bracket & Cover Gasket	2	31	Spring	1
4	Spacer	1	18	Casing	1	32	Washer	1
5	Adjusting Nut	2	19	Casing (90° Flanged & w/ Heating Jacket)	1	33	Bypass Cover	1
6	Lip Seal ø55xø72x10	1	20	Casing (w/ 180° Flanged Ports)	1	34	Cap O-Ring	1
7	Ball Bearing (3209)	1	21	Rotor Gear	1	35	Nut M16	1
8	Lip Seal ø50xø72x10	1	22	Idler Gear	1	36	Adjusting Screw M16x90	1
9	Internal Circlip (ø90)	1	23	Idler Bushing	1	37	Cap	1
10	Lip Seal ø50xø90x10	1	24	Cover Pin	1	38	Greasing Fitting R3/8"	2
11	Bearing (3210)	1	25	Cover	1	39	Grub Screw M12x16	4
12	Mechanical Seal Ø50	1	26	Bypass Gasket	2	40	Bracket (w/ Heating Jacket)	1
13	Shaft	1	27	Pressure Relief Valve - Bypass	1			
14	Rotor Key 12x8x45 A	1	28	Hex Bolt M10x30	8			

Spare Parts List - Sealed with mechanical seal, jacketed, and with blind cover:



No.	Part Name.	Qty.	No.	Part Name.	Qty.	No.	Part Name.	Qty.
1	Coupling Key 12x8x60 AB	1	12	Mechanical Seal Ø50	1	23	Idler Bushing	1
2	Lock Nut	1	13	Shaft	1	24	Cover Pin	1
3	Lock Washer	1	14	Rotor Key 12x8x45 A	1	25	Jacketed Cover Pin	1
4	Spacer	1	15	Hex Bolt M16x40	16	26	Cover	1
5	Adjusting Nut	2	16	Bracket	1	27	Jacketed Cover	1
6	Lip Seal ø55xø72x10	1	17	Bracket & Cover Gasket	2	28	Bypass Gasket	2
7	Ball Bearing (3209)	1	18	Casing (w/ 90° Flanged Ports)	1	29	Bypass Inlets Cover	2
8	Lip Seal ø50xø72x10	1	19	Casing (w/ 90° Flanged & w/ Heating Jacket)	1	30	Hex Bolt M10x30	8
9	Internal Circlip (ø90)	1	20	Casing (w/ 180° Flanged Ports)	1	31	Greasing Fitting R3/8"	2
10	Lip Seal (ø50xø90x10)	1	21	Rotor Gear	1	32	Grub Screw M12x16	4
11	Bearing (3210)	1	22	Idler Gear	1	33	Bracket (w/ Heating Jacket)	1

Spare Parts List - Sealed with lip seal, jacketed, and with blind cover:



No.	Part Name.	Qty.	No.	Part Name.	Qty.	No.	Part Name.	Qty.
1	Coupling Key 12x8x60 AB	1	12	Shaft	1	23	Cover Pin	1
2	Lock Nut	1	13	Rotor Key 12x8x45 A	1	24	Jacketed Cover Pin	1
3	Lock Washer	1	14	Hex Bolt M16x40	16	25	Cover	1
4	Spacer	1	15	Bracket	1	26	Jacketed Cover	1
5	Adjusting Nut	2	16	Bracket & Cover Gasket	2	27	Bypass Gasket	2
6	Lip Seal ø55xø72x10	1	17	Casing (w/ 90° Flanged Ports)	1	28	Bypass Inlets Cover	2
7	Ball Bearing (3209)	1	18	Casing (w/ 90° Flanged & w/ Heating Jacket)	1	29	Hex Bolt M10x30	8
8	Lip Seal ø50xø72x10	1	19	Casing (w/ 180° Flanged Ports)	1	30	Greasing Fitting R3/8"	1
9	Internal Circlip (ø70)	1	20	Rotor Gear	1	31	Grub Screw M12x16	4
10	Lip Seal (ø50xø70x10)	4	21	Idler Gear	1	32	Bracket (w/ Heating Jacket)	1
11	Bracket Bushing	1	22	Idler Bushing	1			

Spare Parts List - Sealed with cartex mechanical seal, and pressure relief valve on cover:



No.	Part Name.	Qty.	No.	Part Name.	Qty.	No.	Part Name.	Qty.
1	Coupling Key 12x8x60 AB	1	14	Hex Bolt M16x40	16	27	Hex Bolt M10x30	8
2	Lock Nut	1	15	Bracket (w/ Cartex Mechanical Seal)	1	28	Bypass O-Ring	1
3	Lock Washer	1	16	Bracket & Cover Gasket	2	29	Valve	1
4	Spacer	2	17	Casing (w/ 90° Flanged Ports)	1	30	Spring	1
5	Pulley Cover	1	18	Casing (90° Flanged & w/ Heating Jacket)	1	31	Washer	1
6	Lip Seal ø55xø72x10	2	19		1	32	Bypass Cover	1
7	Ball Bearing (3209)	1	20	Rotor Gear	1	33	Cap O-Ring	1
8	Grub Screw M8x20	4	21	Idler Gear	1	34	Nut M16	1
9	Pulley	1	22	Idler Bushing	1	35	Adjusting Screw M16x90	1
10	Cartex Mechanical Seal Ø50	1	23	Cover Pin	1	36	Cap	1
11	Bracket Bushing	1	24	Cover	1	37	Greasing Fitting R3/8"	1
12	Shaft	1	25	Bypass Gasket	2	38	Grub Screw M14	2
13	Rotor Key 12x8x45 A	1	26	Pressure Relief Valve - Bypass	1	39	Square Screw M14x90	2

Spare Parts List - Sealed with cartex mechanical seal, jacketed and with blind cover:



No.	Part Name.	Qty.	No.	Part Name.	Qty.	No.	Part Name.	Qty.
1	Coupling Key 12x8x60 AB	1	12	Shaft	1	23	Cover Pin	1
2	Lock Nut	1	13	Rotor Key 12x8x45 A	1	24	Jacketed Cover Pin	1
3	Lock Washer	1	14	Hex Bolt M16x40	16	25	Cover	1
4	Spacer	2	15	Bracket (w/ Cartex Mechanical Seal)	1	26	Jacketed Cover	1
5	Pulley Cover	1	16	Bracket & Cover Gasket	2	27	Bypass Gasket	2
6	Lip Seal ø55xø72x10	2	17	Casing (w/ 90° Flanged Ports)	1	28	Bypass Inlets Cover	2
7	Ball Bearing (3209)	1	18	Casing (w/ 90° Flanged & w/ Heating Jacket)	1	29	Hex Bolt M10x30	8
8	Grub Screw M8x20	4	19	Casing (w/ 180° Flanged Ports)	1	30	Greasing Fitting R3/8"	1
9	Pulley	1	20	Rotor Gear	1	31	Nut M14	2
10	Cartex Mechanical Seal Ø50	1	21	Idler Gear	1	32	Square Screw M14x90	2
11	Bracket Bushing	1	22	Idler Bushing	1			



YKBF 4" Internal Eccentric Gear Pump



Performance:

Flow rate	90 m ³ /h
Pressure	1 - 14 bar
Temperature	0 - 200 °C
Speed	400 d/d
Viscosity	100 - 250000 SSU

Technical Features:

- ✓ Internal eccentric gear pump
- ✓ 4" flanged ports
- ✓ Compact design
- ✓ Reliable construction thanks to only two moving parts
- ✓ Various material options
- ✓ Available with external bypass, jacketed and blind cover
- ✓ 230v, three phase 50/60hz motors available
- ✓ Gearbox and belt pulley drive available
- ✓ Manufactured according to CE regulations

Applications:

- ✓ Fuel oil, diesel fuel and gas oil transfer
- ✓ Small scale thermal oil applications including Marlotherm, Duratherm, Paratherm, Multitherm, Mobiltherm and Dowtherm
- ✓ Lubrication applications
- ✓ Coolant transfer
- ✓ Any transfer of low to medium viscosity fluids with lubricating properties
- ✓ Not suitable for fluids containing abrasive particles

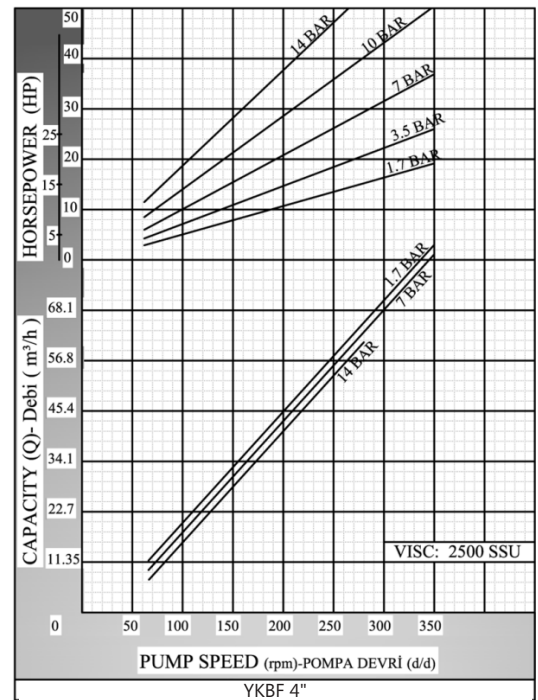
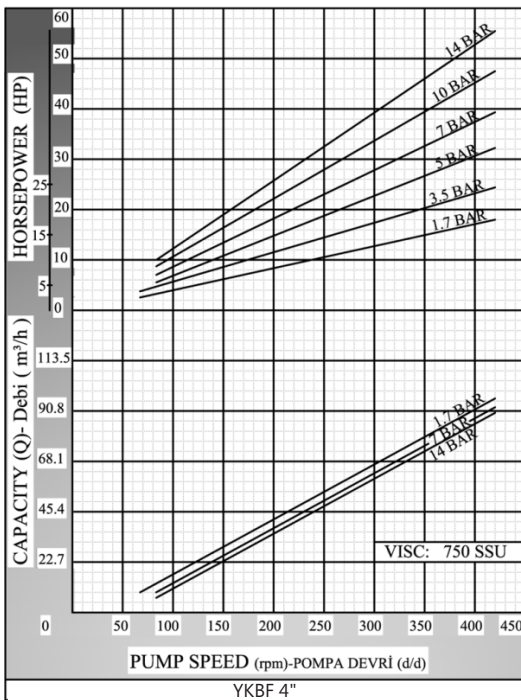
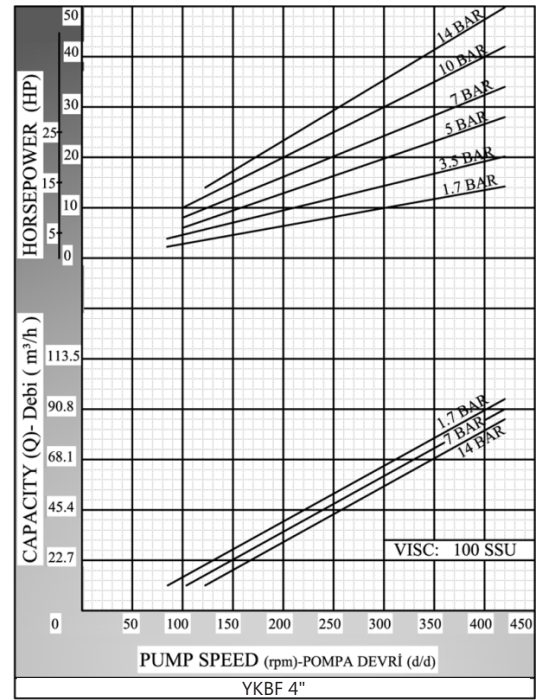
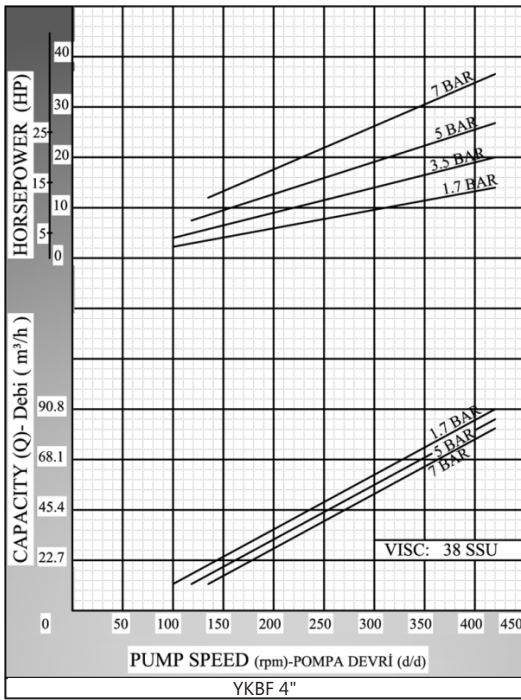
Material Options:

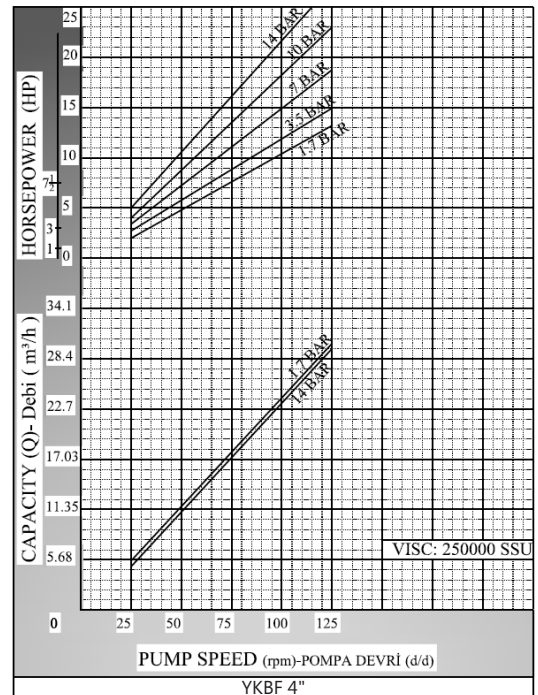
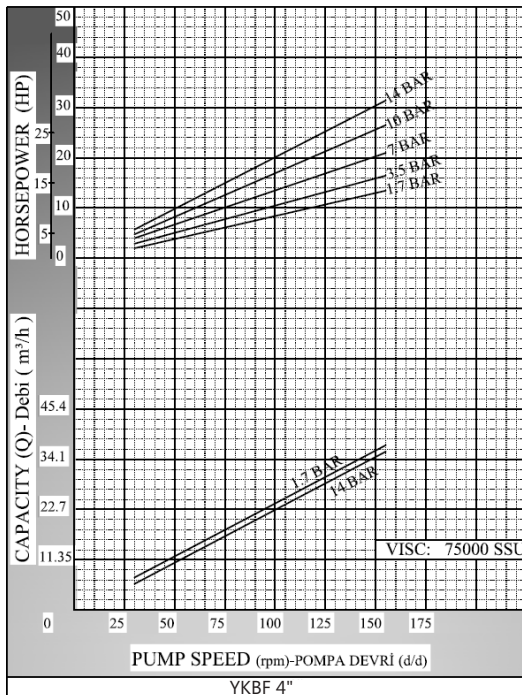
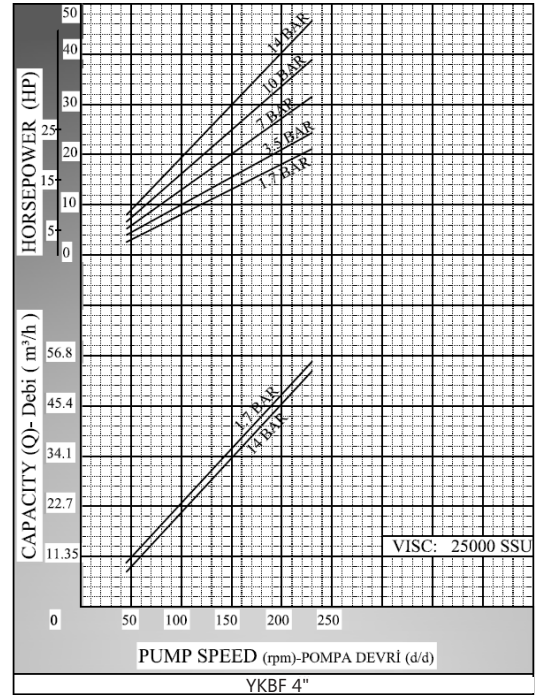
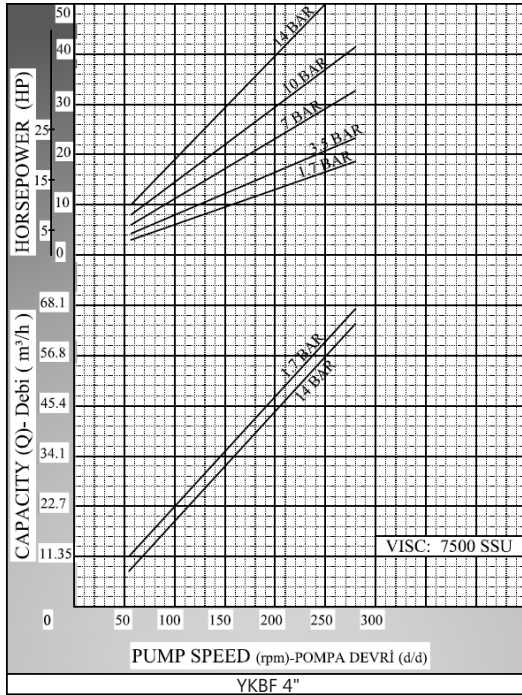
- ✓ Pump body, covers: Pig cast iron, Spheroidal cast iron, cast steel, AISI 304/316 CrNi Stainless Steel
- ✓ Gears: Spheroidal cast iron, cast steel, AISI 304/316 CrNi Stainless Steel
- ✓ Bearings: Snbz 12 bronze, carbon graphite, silicon carbide, hard metal coated steel, bearing
- ✓ Sealing: Soft seal or packing gland, Rotatherm seal, lip seal, mechanical seal, cartridge type mechanical seal

Capacity & Power Table						
Capacity (Q)	Speed (rpm)	Pressure				Viscosity
		3 Bar	5 Bar	7 Bar	10 Bar	
46	200	20 HP	25 HP	30 HP	40 HP	25000 SSU
57	250	20 HP	25 HP	30 HP	40 HP	7500 SSU
68	300	25 HP	30 HP	40 HP	50 HP	2500 SSU
80	350	25 HP	30 HP	40 HP	50 HP	750 SSU



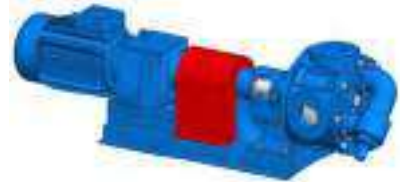
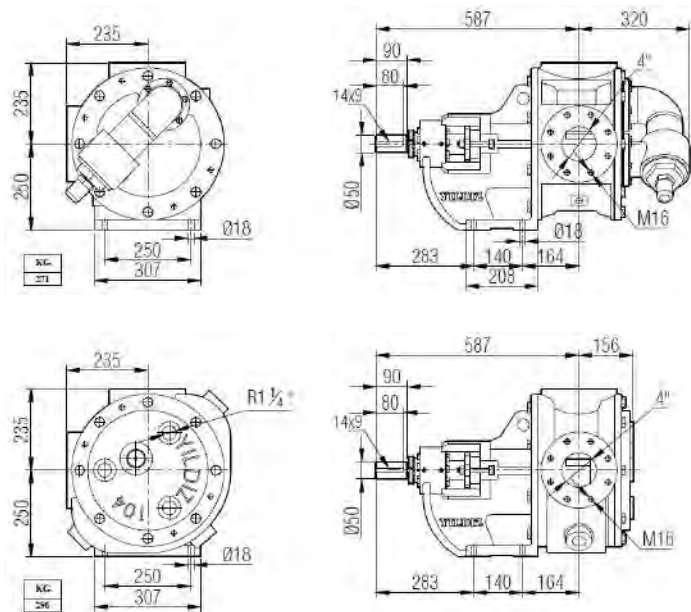
Pump Dimensions - Capacity Graphs:





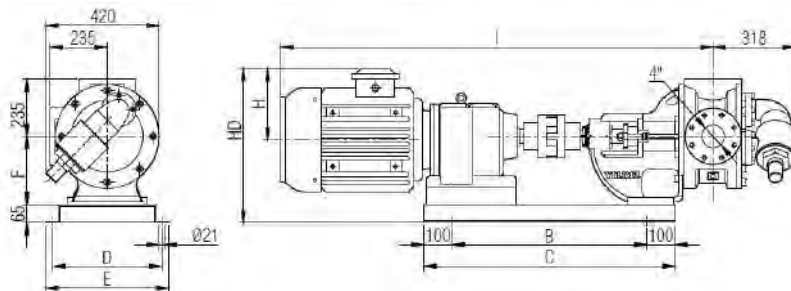
Pump Dimensions:

YKBF 4"



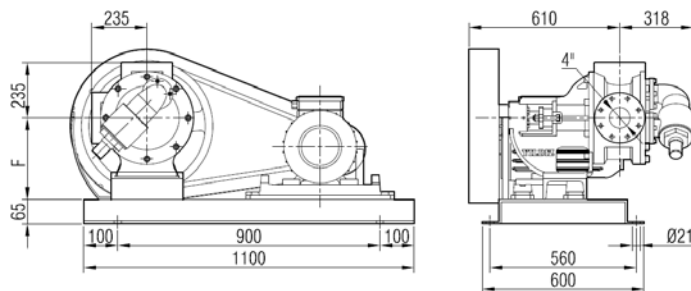
Coupling Dimensions - Gearbox drive:

YKBF 4"



Motor Power & Speed			I	HD	H	B	C	D	E	F	Kg
10 hp / 7.5 kw	93/400 d/d (rpm)	IRAM72/132M	1366	481	182	680	880	390	430	250	402
15 hp / 11 kw	187/400 d/d (rpm)	IRAM72/C132M									404
20 hp / 15 kw	130/400 d/d (rpm)	IRAM82/160L	1551	527	225	750	950	390	430	250	537
25 hp / 18.5 kw	145/400 d/d (rpm)	IRAM82/180M	1563	550	248						557
30 hp / 22 kw	237/400 d/d (rpm)	IRAM82/180L	1600	568	275	830	1030	420	460	250	582
40 hp / 30 kw	204/400 d/d (rpm)	IRAM92/200L	1725								678

Belt Pulley Coupling Pump Dimensions:



Motor Power & Speed		Pump Speeds				F ₍₁₎	F ₍₂₎	F ₍₃₎	F ₍₄₎	Kg
		N1	N2	N3	N4					
		d/d	d/d	d/d	d/d					
15 hp / 11 kw	MOTOR 160M	450	400	350	310	250	250	250	250	480
20 hp / 15 kw	MOTOR 160L									490
25 hp / 18.5 kw	MOTOR 180M									520
30 hp / 22 kw	MOTOR 180L									530

Spare Parts List - Sealed with soft seal, and pressure relief valve on cover:



No.	Part Name.	Qty.	No.	Part Name.	Qty.	No.	Part Name.	Qty.
1	Coupling Key 14x9 80 AB	1	14	Hex Bolt M16x40	16	27	Valve	1
2	Lock Nut	1	15	Bracket	1	28	Spring	1
3	Lock Washer	1	16	Bracket & Cover Gasket	2	29	Washer	1
4	Spacer	1	17	Casing (w/ 90° Flanged Ports)	1	30	Bypass Cover	1
5	Adjusting Nut	2	18	Rotor Gear	1	31	Cap O-Ring	1
6	Lip Seal ø68xø90x10	1	19	Idler Gear	1	32	Nut M16	1
7	Ball Bearing (3211)	1	20	Idler Bushing	1	33	Adjusting Screw M16x90	1
8	Lip Seal ø60xø90x10	1 TK	21	Cover Pin	1	34	Cap	1
9	Packing Press	1	22	Cover	1	35	Greasing Fitting R3/8"	1
10	Soft Seal / Packing Gland	1	23	Bypass Gasket	2	36	Grub Screw M8x20	4
11	Bracket Bushing	1	24	Pressure Relief Valve - Bypass	1	37	Nut M14	2
12	Shaft	1	25	Hex Bolt M10x30	12	38	Square Screw M14x90	2
13	Rotor Key 12x8x55 A	1	26	Bypass O-Ring	1	39	Casing (90° Flanged Ports & w/ Heating Jacket)	1

Spare Parts List - Sealed with soft seal, jacketed and with blind cover:



No.	Part Name.	Qty.	No.	Part Name.	Qty.	No.	Part Name.	Qty.
1	Coupling Key 14x9x80 AB	1	12	Shaft	1	23	Cover	1
2	Lock Nut	1	13	Rotor Key 12x8x55 A	1	24	Jacketed Cover	1
3	Lock Washer	1	14	Hex Bolt M16x40	16	25	Bypass Gasket	2
4	Spacer	1	15	Bracket	1	26	Pressure Relief Valve - Bypass	2
5	Adjusting Nut	2	16	Bracket & Cover Gasket	2	27	Hex Bolt M10x30	12
6	Lip Seal ø68xø90x10	1	17	Casing (w/ 90° Flanged Ports)	1	28	Greasing Fitting R3/8"	1
7	Ball Bearing (3211)	1	18	Rotor Gear	1	29	Grub Screw M8x20	4
8	Lip Seal ø60xø90x10	1	19	Idler Gear	1	30	Nut M14	2
9	Packing Press	1	20	Idler Bushing	1	31	Square Screw M14x90	2
10	Soft Seal / Packing Gland	1 TK	21	Cover Pin	1	32	Casing (90° Flanged Ports & w/ Heating Jacket)	1
11	Bracket Bushing	1	22	Cover Pin	1			

Spare Parts List - Sealed with mechanical seal, and pressure relief valve on cover:



No.	Part Name.	Qty.	No.	Part Name.	Qty.	No.	Part Name.	Qty.
1	Coupling Key 14x9x80 AB	1	14	Rotor Key 12x8x55 A	1	27	Bypass O-Ring	1
2	Lock Nut	1	15	Hex Bolt M16x40	16	28	Valve	1
3	Lock Washer	1	16	Bracket	1	29	Spring	1
4	Spacer	1	17	Bracket & Cover Gasket	2	30	Washer	1
5	Adjusting Nut	2	18	Casing (w/ 90° Flanged Ports)	1	31	Bypass Cover	1
6	Lip Seal $\phi 68 \times \phi 90 \times 10$	1	19	Rotor Gear	1	32	Cap O-Ring	1
7	Ball Bearing (3211)	1	20	Idler Gear	1	33	Nut M16	1
8	Lip Seal $\phi 60 \times \phi 90 \times 10$	1	21	Idler Bushing	1	34	Adjusting Screw M16x90	1
9	Internal Circlip ($\phi 110$)	2	22	Cover Pin	1	35	Cap	1
10	Lip Seal $\phi 60 \times \phi 110 \times 12$	1	23	Cover	1	36	Greasing Fitting R3/8"	2
11	Ball Bearing (3212)	1	24	Bypass Gasket	2	37	Grub Screw M12x16	4
12	Mechanical Seal $\phi 60$	1	25	Pressure Relief Valve - Bypass	1	38	Casing (90° Flanged Ports & w/ Heating Jacket)	1
13	Shaft	1	26	Hex Bolt M10x30	12			

Spare Parts List - Sealed with mechanical seal, jacketed, and with blind cover:



No.	Part Name.	Qty.	No.	Part Name.	Qty.	No.	Part Name.	Qty.
1	Coupling Key 14x9x80 AB	1	12	Mechanical Seal $\phi 60$	1	23	Jacketed Cover Pin	1
2	Lock Nut	1	13	Shaft	1	24	Cover	1
3	Lock Washer	1	14	Rotor Key 12x8x55 A	1	25	Jacketed Cover	1
4	Spacer	1	15	Hex Bolt M16x40	16	26	Bypass Gasket	2
5	Adjusting Nut	2	16	Bracket	1	27	Pressure Relief Valve - Bypass	2
6	Lip Seal $\phi 68 \times \phi 90 \times 10$	1	17	Bracket & Cover Gasket	2	28	Hex Bolt M10x30	12
7	Ball Bearing (3211)	1	18	Casing (w/ 90° Flanged Ports)	1	29	Greasing Fitting R3/8"	2
8	Lip Seal $\phi 60 \times \phi 90 \times 10$	1	19	Rotor Gear	1	30	Grub Screw M8x20	4
9	Internal Circlip ($\phi 110$)	2	20	Idler Gear	1	31	Casing (90° Flanged Ports & w/ Heating Jacket)	1
10	Lip Seal $\phi 60 \times \phi 110 \times 12$	1	21	Idler Bushing	1			
11	Ball Bearing (3212)	1	22	Cover Pin	1			

Spare Parts List - Sealed with lip seal, jacketed, and with blind cover:



No.	Part Name.	Qty.	No.	Part Name.	Qty.	No.	Part Name.	Qty.
1	Coupling Key 14x9x80 AB	1	11	Bracket Bushing	1	21	Cover Pin	1
2	Lock Nut	1	12	Shaft	1	22	Jacketed Cover Pin	1
3	Lock Washer	1	13	Rotor Key 12x8x55 A	1	23	Cover	1
4	Spacer	1	14	Hex Bolt M16x40	16	24	Jacketed Cover	1
5	Adjusting Nut	2	15	Bracket	1	25	Bypass Gasket	2
6	Lip Seal $\phi 68 \times \phi 90 \times 10$	1	16	Bracket & Cover Gasket	2	26	Pressure Relief Valve - Bypass	2
7	Ball Bearing (3211)	1	17	Casing (w/ 90° Flanged Ports)	1	27	Hex Bolt M10x30	12
8	Lip Seal $\phi 60 \times \phi 90 \times 10$	1	18	Rotor Gear	1	28	Greasing Fitting R3/8"	1
9	Internal Circlip ($\phi 80$)	1	19	Idler Gear	1	29	Grub Screw M8x20	4
10	Lip Seal ($\phi 60 \times \phi 80 \times 10$)	4	20	Idler Bushing	1	30	Casing (90° Flanged Ports & w/ Heating Jacket)	1

Spare Parts List - Sealed with cartex mechanical seal, and pressure relief valve on cover:



No.	Part Name.	Qty.	No.	Part Name.	Qty.	No.	Part Name.	Qty.
1	Coupling Key 14x9x80 AB	1	14	Rotor Key 12x8x55 A	1	27	Bypass O-Ring	1
2	Lock Nut	1	15	Hex Bolt M16x40	16	28	Valve	1
3	Lock Washer	1	16	Bracket (w/ Cartex Mechanical Seal)	1	29	Spring	1
4	Spacer (Cartex)	1	17	Bracket & Cover Gasket	2	30	Washer	1
5	Pulley Cover	1	18	Casing (w/ 90° Flanged Ports)	1	31	Bypass Cover	1
6	Lip Seal $\phi 68 \times \phi 90 \times 10$	1	19	Rotor Gear	1	32	Cap O-Ring	1
7	Ball Bearing (3311)	1	20	Idler Gear	1	33	Nut M16	1
8	Lip Seal $\phi 60 \times \phi 90 \times 10$	1	21	Idler Bushing	1	34	Adjusting Screw M16x90	1
9	Grub Screw M8x20	4	22	Cover Pin	1	35	Cap	1
10	Pulley	1	23	Cover	1	36	Greasing Fitting R3/8"	1
11	Cartex Mechanical Seal $\phi 60$	1	24	Bypass Gasket	2	37	Nut M14	2
12	Bracket Bushing	1	25	Pressure Relief Valve - Bypass	1	38	Square Screw M14x70	2
13	Shaft	1	26	Hex Bolt M10x30	12	39	Casing (90° Flanged Ports & w/ Heating Jacket)	1

Spare Parts List - Sealed with cartex mechanical seal, jacketed, and with blind cover:



No.	Part Name.	Qty.	No.	Part Name.	Qty.	No.	Part Name.	Qty.
1	Coupling Key 12x9x80 AB	1	12	Bracket Bushing	1	23	Jacketed Cover Pin	1
2	Lock Nut	1	13	Shaft	1	24	Cover	1
3	Lock Washer	1	14	Rotor Key 12x8x55 A	1	25	Jacketed Cover	1
4	Spacer (Cartex)	1	15	Hex Bolt M16x40	16	26	Bypass Gasket	2
5	Pulley Cover	1	16	Bracket (w/ Cartex Mechanical Seal)	1	27	Pressure Relief Valve - Bypass	2
6	Lip Seal $\phi 68 \times \phi 90 \times 10$	1	17	Bracket & Cover Gasket	2	28	Hex Bolt M10x30	12
7	Ball Bearing (3311)	1	18	Casing (w/ 90° Flanged Ports)	1	29	Greasing Fitting R3/8"	1
8	Lip Seal $\phi 60 \times \phi 90 \times 10$	1	19	Rotor Gear	1	30	Nut M14	2
9	Grub Screw M8x20	4	20	Idler Gear	1	31	Square Screw M14x70	2
10	Pulley	1	21	Idler Bushing	1	32	Casing (90° Flanged Ports & w/ Heating Jacket)	1
11	Cartex Mechanical Seal $\phi 60$	1	22	Cover Pin	1			

Spare Parts List - Sealed with chesteron lip seal, and pressure relief valve on cover:



No.	Part Name.	Qty.	No.	Part Name.	Qty.	No.	Part Name.	Qty.
1	Coupling Key 14x9x80 AB	1	14	Rotor Key 12x8x55 A	1	27	Bypass O-Ring	1
2	Lock Nut	1	15	Hex Bolt M16x40	16	28	Valve	1
3	Lock Washer	1	16	Bracket	1	29	Spring	1
4	Spacer	1	17	Bracket & Cover Gasket	2	30	Washer	1
5	Adjusting Nut	2	18	Casing (w/ 90° Flanged Ports)	1	31	Bypass Cover	1
6	Lip Seal $\phi 68 \times \phi 90 \times 10$	1	19	Rotor Gear	1	32	Cap O-Ring	1
7	Ball Bearing (3211)	1	20	Idler Gear	1	33	Nut M16	1
8	Lip Seal $\phi 60 \times \phi 90 \times 10$	1	21	Idler Bushing	1	34	Adjusting Screw M16x90	1
9	Internal Circlip ($\phi 110$)	2	22	Cover Pin	1	35	Cap	1
10	Lip Seal $\phi 60 \times \phi 110 \times 12$	1	23	Cover	1	36	Greasing Fitting R3/8"	2
11	Ball Bearing (3212)	1	24	Bypass Gasket	2	37	Grub Screw M12x16	4
12	Chesterton Lip Seal $\phi 35 \times \phi 53 \times 10$	2	25	Pressure Relief Valve - Bypass	1	38	Internal Circlip ($\phi 80$)	1
13	Shaft	1	26	Hex Bolt M10x30	12	39	Casing (90° Flanged Ports & w/ Heating Jacket)	1