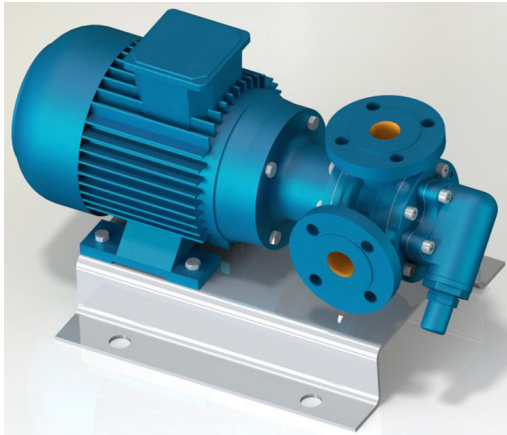




## YMB 1" Internal Eccentric Gear Pump



### Performance:

Flow rate	3 m <sup>3</sup> /h
Pressure	1 - 10 bar
Temperature	0 - 70 °C
Speed	1400 d/d
Viscosity	100 - 2500 SSU

### Technical Features:

- ✓ Internal eccentric gear pump
- ✓ 1" flanged threaded connections
- ✓ Designed for low pressure applications
- ✓ Compact design
- ✓ Reliable construction thanks to only two moving parts
- ✓ Various material options
- ✓ Available with external bypass, jacketed cover and blind covered
- ✓ 230v, three phase 50/60hz motors available
- ✓ Manufactured according to CE regulations

### Applications:

- ✓ Fuel oil, diesel fuel and gas oil transfer
- ✓ Small scale thermal oil applications including Marlotherm, Duratherm, Paratherm, Multitherm, Mobiltherm and Dowtherm
- ✓ Lubrication applications
- ✓ Coolant transfer
- ✓ Any transfer of low to medium viscosity fluids with lubricating properties
- ✓ Not suitable for fluids containing abrasive particles

### Material Options:

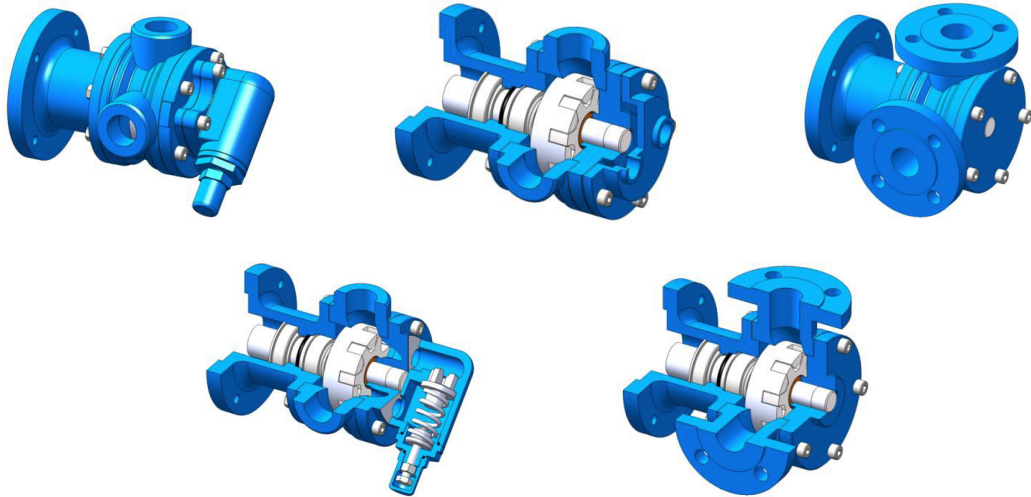
- ✓ Pump body & covers: Cast iron, steel cast, stainless AISI 304/316 cast
- ✓ Gears: Cast iron, steel cast, stainless AISI 304 / 316 cast, Spheroidal cast iron
- ✓ Bearings: Snbz 12 bronze, carbon graphite, silicon carbide, hard metal coated steel
- ✓ Sealing: Lip seal

Capacity & Power Table						
Capacity (Q)	Speed (rpm)	Pressure				Viscosity
		2.5 Bar	5 Bar	7.5 Bar	10 Bar	
1.8	900	0.75 HP	1 HP	1.5 HP	2 HP	750 SSU
3	1400	1 HP	1.5 HP	2 HP	3 HP	100 SSU

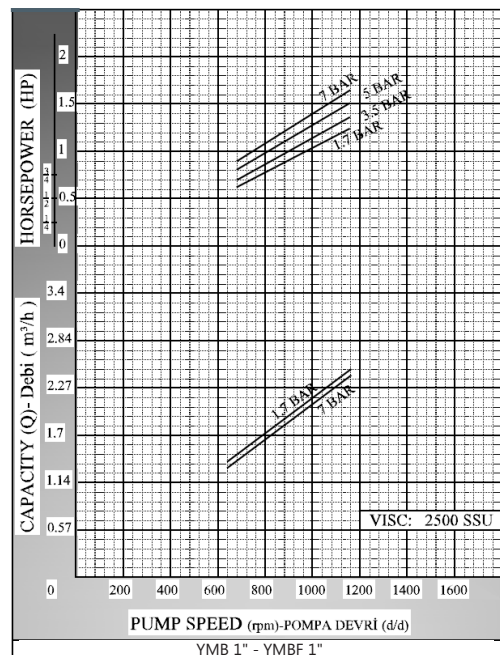
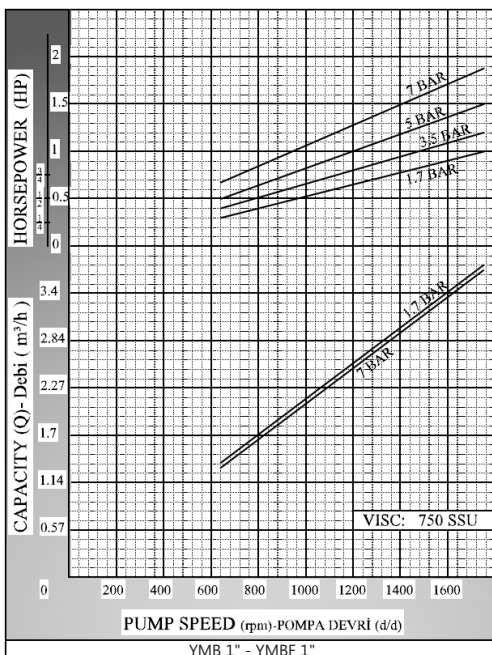
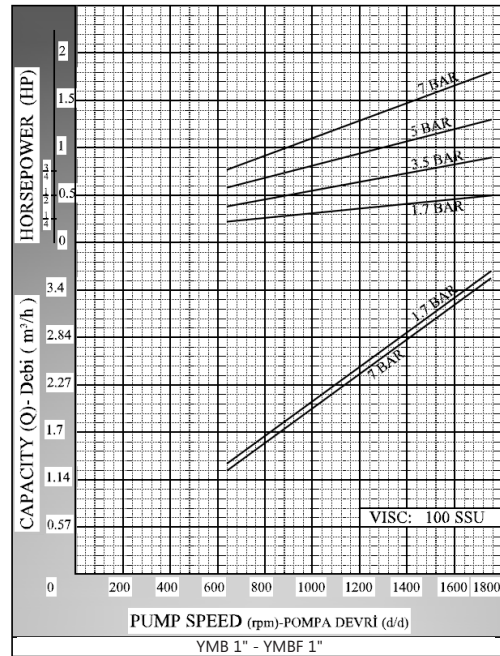
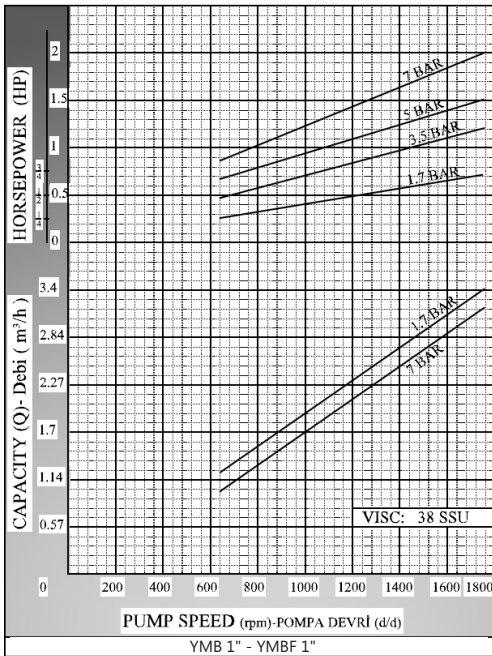
Motor Powers	
1 HP	1400 d/d (rpm)
0.75 HP	900 d/d (rpm)
Motor Body	
80	

Motor Powers	
1 HP	900 d/d (rpm)
1.5 HP	900 d/d (rpm)
1.5 HP	1400 d/d (rpm)
2 HP	1400 d/d (rpm)
Motor Body	
90	

Motor Powers	
1.5 HP	750 d/d (rpm)
2 HP	900 d/d (rpm)
3 HP	1400 d/d (rpm)
Motor Body	
100	



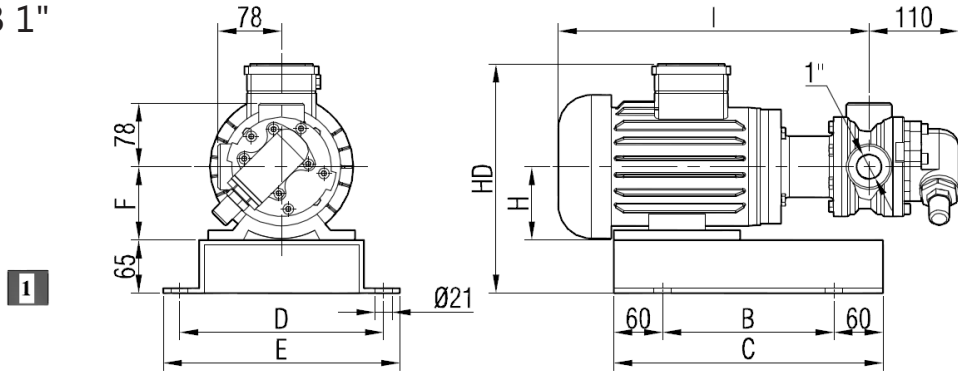
## Performance Curves:



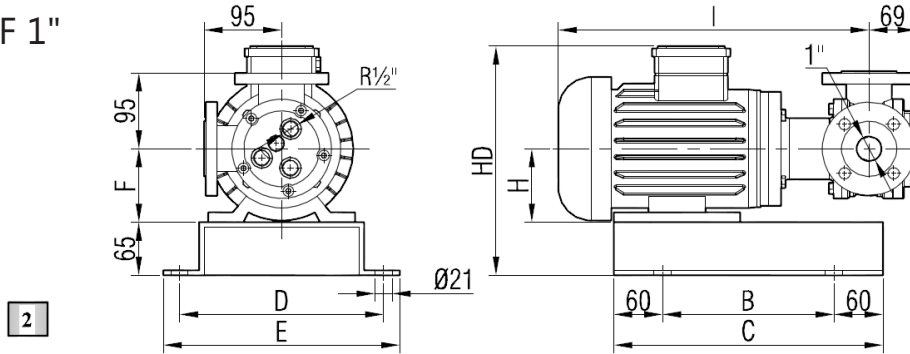


## Pump Dimensions:

### YMB 1"

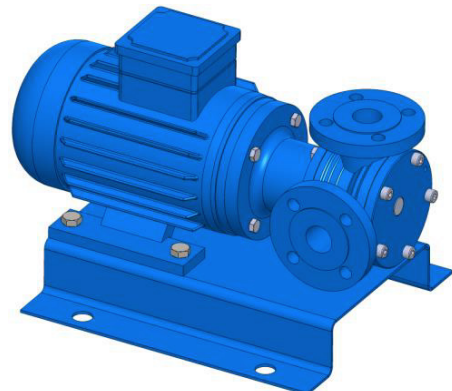
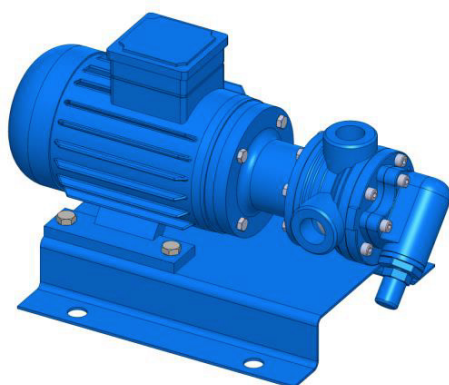


### YMBF 1"



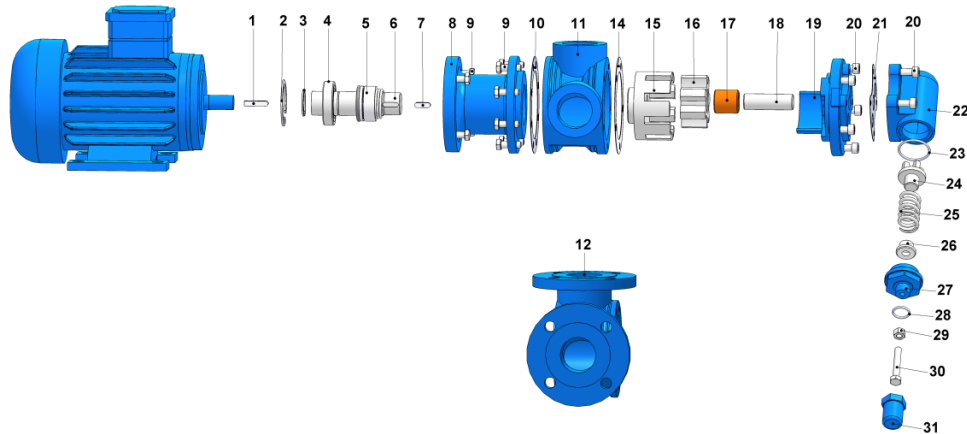
EXPLANATION	1	2
	Pump with bypass	Pump with jacket

Motor Power & Speed		I	HD	H	B	C	D	E	F	Kg
0.75 hp / 0.55 kw	900 d/d (rpm)	MOTOR 80	361	263	80				80	28
0.75 hp / 0.55 kw	1400 d/d (rpm)									26
1 hp / 0.75 kw	1400 d/d (rpm)									27
1 hp / 0.75 kw	900 d/d (rpm)	MOTOR 90S	380	90	210	330	250	290	90	30
1.5 hp / 1.1 kw	1400 d/d (rpm)									30
1.5 hp / 1.1 kw	900 d/d (rpm)	MOTOR 90L	400	281	90	210	330	250	290	32
2 hp / 1.5 kw	1400 d/d (rpm)									32
1.5 hp / 1.1 kw	750 d/d (rpm)	MOTOR 100L	470	300	100				100	38
2 hp / 1.5 kw	900 d/d (rpm)									38
3 hp / 2.2 kw	1400 d/d (rpm)									36



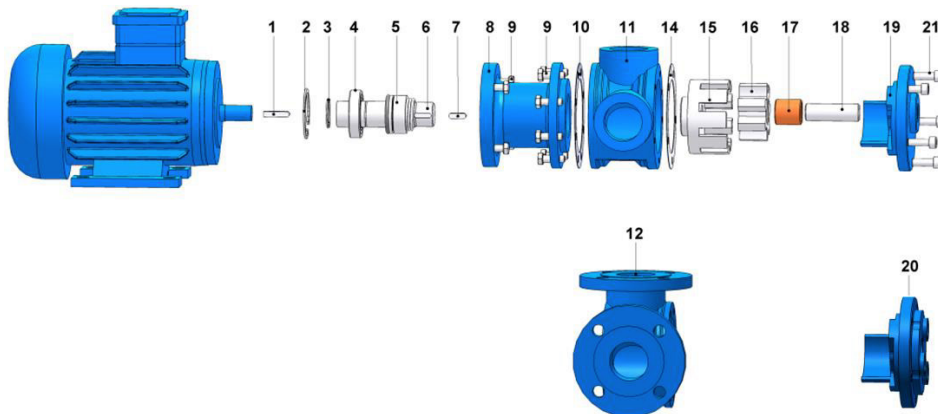


## Spare Parts List - Sealed with mechanical seal and pressure relief valve on cover:



No.	Part Name.	Qty.	No.	Part Name.	Qty.
1	Motor Key 6x6x30 AB	1	17	Idler Bushing	1
2	Internal Circlip (ø55)	1	18	Cover Pin	1
3	External Circlip (ø30)	1	19	Cover (w/ Bypass Inlets)	1
4	Ball Bearing (6006-2RS)	1	20	Inbus Bolts M8x25	9
5	Mechanical Seal Ø30	1	21	Bypass Gasket	1
6	Shaft	1	22	Pressure Relief Valve - Bypass	1
7	Rotor Key 6x6x20 A	1	23	Bypass O-Ring	1
8	Mounting Flange	1	24	Valve	1
9	Hex Bolt M8x25	12	25	Spring	1
10	Bracket Gasket	1	26	Washer	1
11	Casing (w/ 90° Threaded Ports)	1	27	Bypass Cover	1
12	Casing (w/ 90° Flanged Ports)	1	28	Cap O-Ring	1
13	-----		29	Nut M8	1
14	Cover Gasket	1	30	Adjusting Screw M8x55	1
15	Rotor Gear	1	31	Cap	1
16	Idler Gear	1			

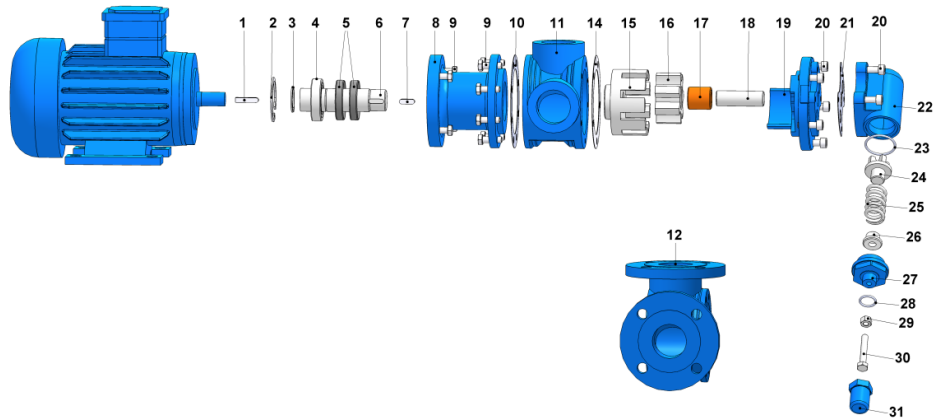
## Spare Parts List - Sealed with mechanical seal, jacketed, and with blind cover:



No.	Part Name.	Qty.	No.	Part Name.	Qty.
1	Motor Key 6x6x30 AB	1	13	-----	
2	Internal Circlip (ø55)	1	14	Head Gasket	1
3	External Circlip (ø30)	1	15	Rotor Gear	1
4	Ball Bearing (6006-2RS)	1	16	Idler Gear	1
5	Mechanical Seal Ø30	1	17	Idler Bushing	1
6	Shaft	1	18	Cover Pin	1
7	Rotor Key 6x6x20 A	1	19	Blind Cover	1
8	Mounting Flange	1	20	Cover (w/ Heating Jacket)	1
9	Hex Bolt M8x25	12	21	Inbus Bolt M8x25	5
10	Bracket Gasket	1		Inbus Bolt M8x30 For Cover w/ Heating Jacket	5
11	Casing (w/ 90° Threaded Ports)	1			
12	Casing (w/ 90° Flanged Ports)	1			

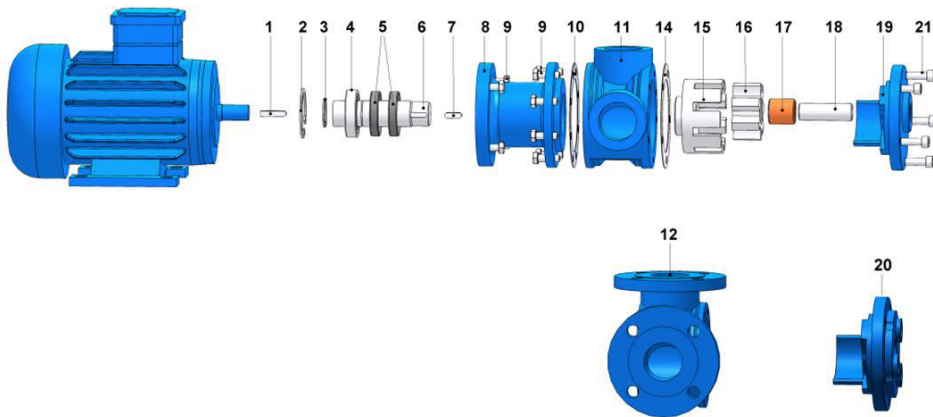


## Spare Parts List - Sealed with lip seal and pressure relief valve on cover:



No.	Part Name.	Qty.	No.	Part Name.	Qty.
1	Motor Key 6x6x30 AB	1	17	Idler Bushing	1
2	Internal Circlip (ø55)	1	18	Cover Pin	1
3	External Circlip (ø30)	1	19	Cover (w/ Bypass Inlets)	1
4	Ball Bearing (6006-2RS)	1	20	Hex Socket M8x25	9
5	Lip Seal ø30xø52x10	2	21	Bypass Gasket	1
6	Shaft	1	22	Pressure Relief Valve - Bypass	1
7	Rotor Key 6x6x20 A	1	23	Bypass O-Ring	1
8	Mounting Flange	1	24	Valve	1
9	Hex Bolt M8x25	12	25	Spring	1
10	Bracket Gasket	1	26	Washer	1
11	Casing (w/ 90° Threaded Ports)	1	27	Bypass Cover	1
12	Casing (w/ 90° Flanged Ports)	1	28	Cap O-Ring	1
13	-----		29	Nut M8	1
14	Cover Gasket	1	30	Adjusting Screw M8x55	1
15	Rotor Gear	1	31	Cap	1
16	Idler Gear	1			

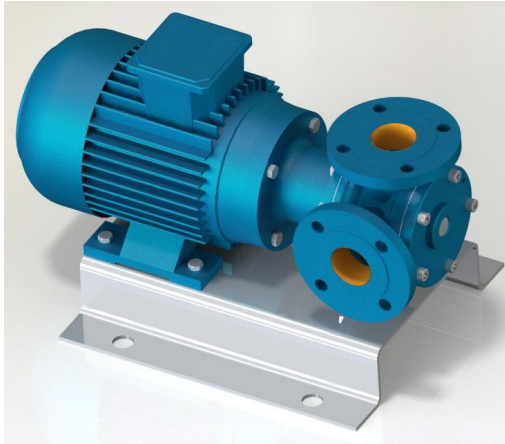
## Spare Parts List - Sealed with lip seal, jacketed, and with blind cover:



No.	Part Name.	Qty.	No.	Part Name.	Qty.
1	Motor Key 6x6x30 AB	1	13	-----	
2	Internal Circlip (ø55)	1	14	Cover Gasket	1
3	External Circlip (ø30)	1	15	Rotor Gear	1
4	Ball Bearing (6006-2RS)	1	16	Idler Gear	1
5	Lip Seal ø30xø52x10	2	17	Idler Bushing	1
6	Shaft	1	18	Cover Pin	1
7	Rotor Key 6x6x20 A	1	19	Blind Cover	1
8	Mounting Flange	1	20	Cover (w/ Heating Jacket)	1
9	Hex Bolt M8x25	12	21	Hex Socket M8x25	5
10	Bracket Gasket	1		Hex Socket M8x30 For Cover w/ Heating Jacket	5
11	Casing (w/ 90° Threaded Ports)	1			
12	Casing (w/ 90° Flanged Ports)	1			



## YMB 1½" Internal Eccentric Gear Pump



### Performance:

Flow rate	5.7 m³/h
Pressure	1 - 10 bar
Temperature	0 - 70 °C
Speed	1400 d/d
Viscosity	100 - 7500 SSU

### Technical Features:

- ✓ Internal eccentric gear pump
- ✓ 1½" flanged threaded connections
- ✓ Designed for low pressure applications
- ✓ Compact design
- ✓ Reliable construction thanks to only two moving parts
- ✓ Various material options
- ✓ Available with external bypass, jacketed cover and blind covered
- ✓ 230v, three phase 50/60hz motors available
- ✓ Manufactured according to CE regulations

### Applications:

- ✓ Fuel oil, diesel fuel and gas oil transfer
- ✓ Small scale thermal oil applications including Marlotherm, Duratherm, Paratherm, Multitherm, Mobiltherm and Dowtherm
- ✓ Lubrication applications
- ✓ Coolant transfer
- ✓ Any transfer of low to medium viscosity fluids with lubricating properties
- ✓ Not suitable for fluids containing abrasive particles

### Material Options:

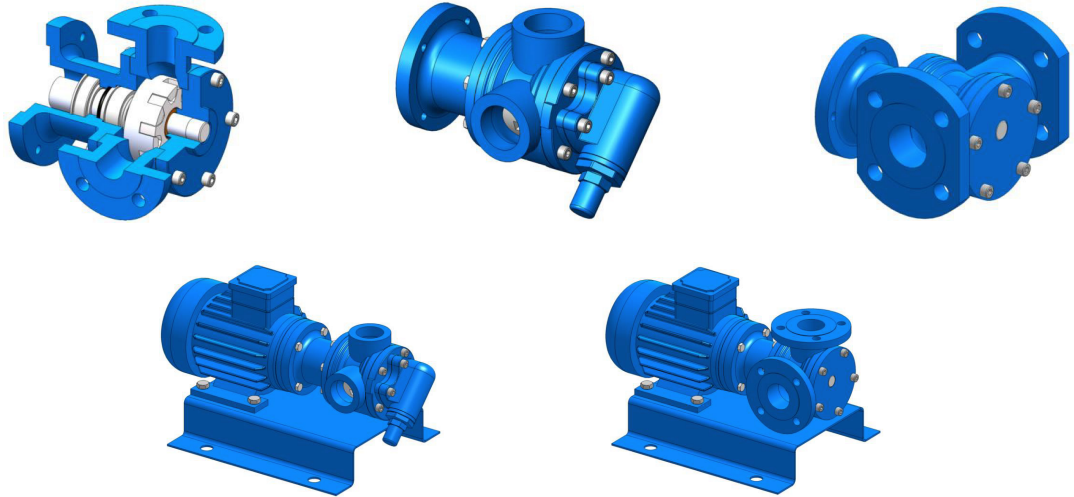
- ✓ Pump body & covers: Cast iron, steel cast, stainless AISI 304/316 cast
- ✓ Gears: Cast iron, steel cast, stainless AISI 304 / 316 cast, Spheroidal cast iron
- ✓ Bearings: Snbz 12 bronze, carbon graphite, silicon carbide, hard metal coated steel
- ✓ Sealing: Lip seal

Capacity & Power Table						
Capacity (Q)	Speed (rpm)	Pressure				Viscosity
		2.5 Bar	5 Bar	7.5 Bar	10 Bar	
4	900	1.5 HP	2 HP	3 HP	4 HP	750 SSU
5.7	1400	1.5 HP	2 HP	3 HP	4 HP	100 SSU

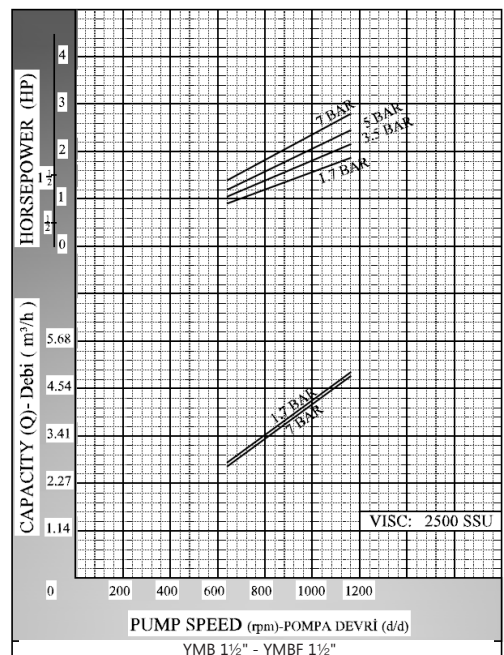
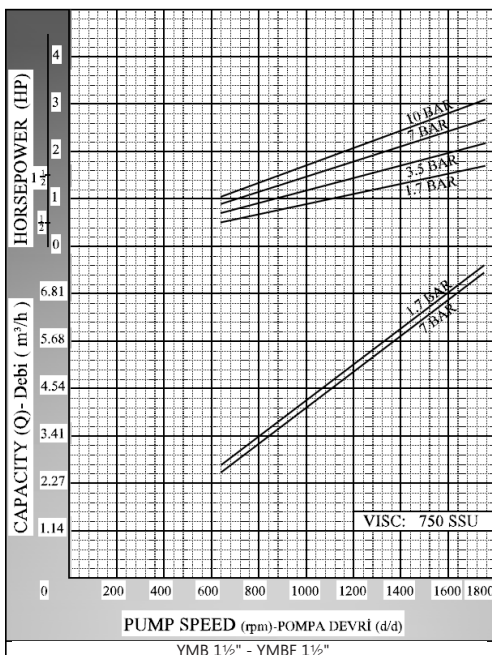
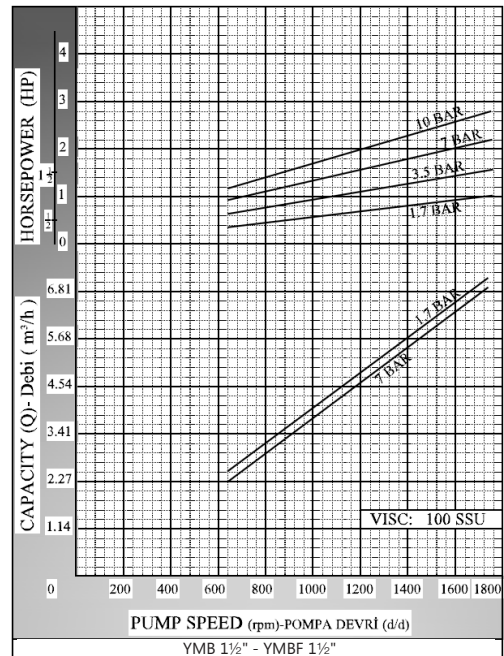
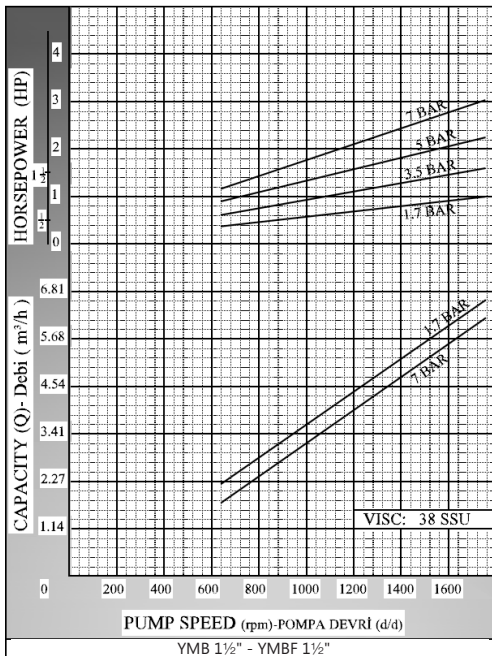
Motor Powers	
1.5 HP	900 d/d (rpm)
1.5 HP	1400 d/d (rpm)
2 HP	1400 d/d (rpm)
Motor Body	
90	

Motor Powers	
1.5 HP	750 d/d (rpm)
2 HP	900 d/d (rpm)
3 HP	1400 d/d (rpm)
4 HP	1400 d/d (rpm)
Motor Body	
100	

Motor Powers	
5.5 HP	1400 d/d (rpm)
Motor Body	
112	



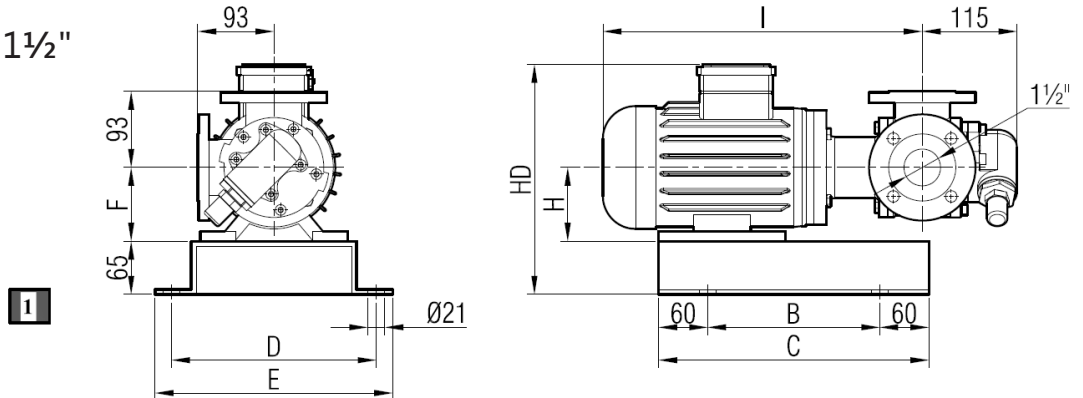
## Performance Curves:



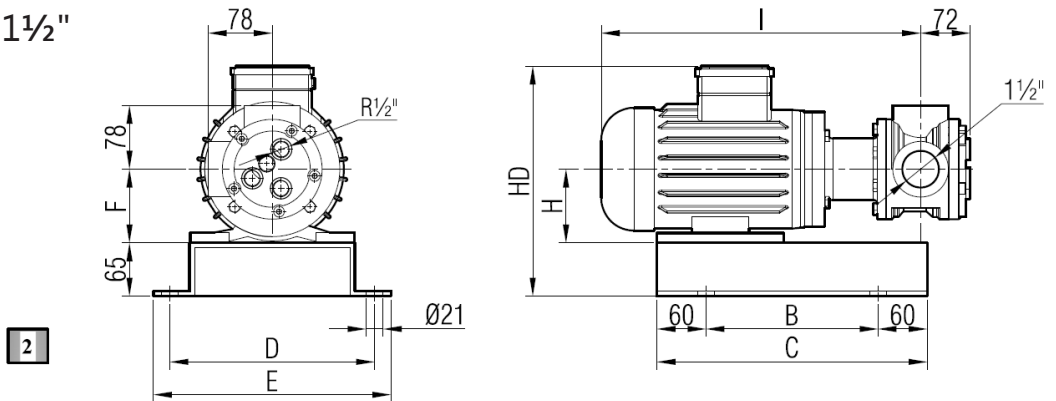


## Pump Dimensions:

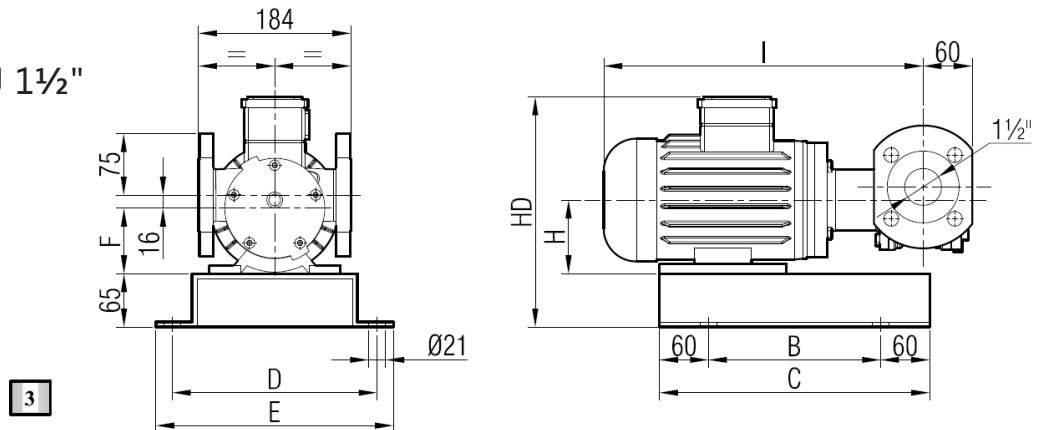
YMBF 1½"



YMB 1½"



GASGJ 1½"



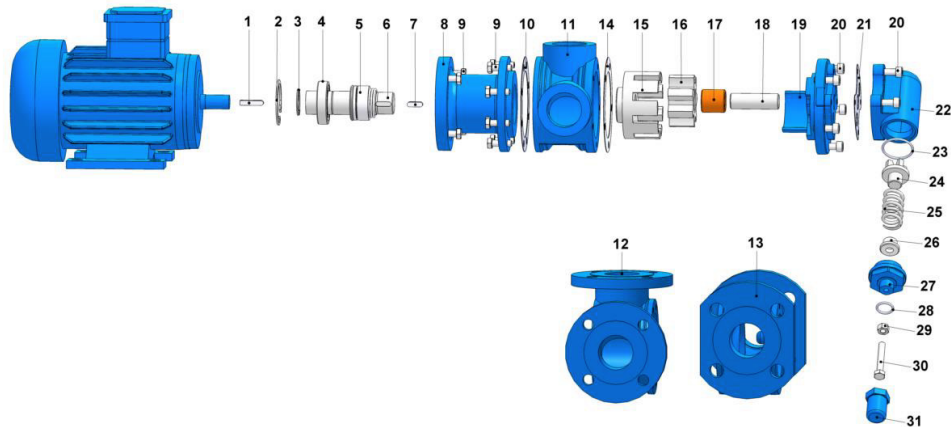
EXPLANATION	1	2	3
		Pump with bypass	Pump with jacket

Motor Power & Speed		I	HD	H	B	C	D	E	F	Kg	
1.5 hp / 1.1 kw	1400 d/d (rpm)	MOTOR 90S	390	281	90	210	330	250	290	90	32
1.5 hp / 1.1 kw	900 d/d (rpm)	MOTOR 90L	440								35
2 hp / 1.5 kw	1400 d/d (rpm)	MOTOR 100L	480	300	100	210	330	250	290	100	36
1.5 hp / 1.1 kw	750 d/d (rpm)										43
2 hp / 1.5 kw	900 d/d (rpm)										44
3 hp / 2.2 kw	1400 d/d (rpm)										43
4 hp / 3 kw	1400 d/d (rpm)										47
5.5 hp / 4 kw	1400 d/d (rpm)	MOTOR 112M	494	323	112	230	350	310	350	112	55



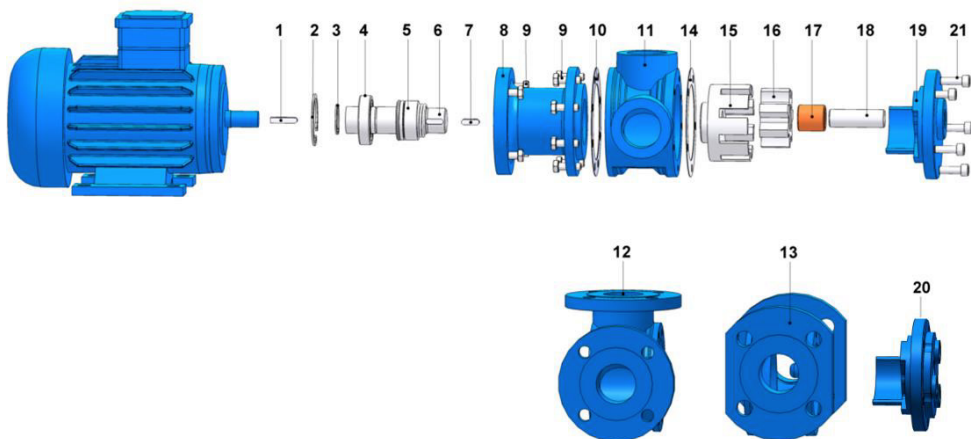


## Spare Parts List - Sealed with mechanical seal and pressure relief valve on cover:



No.	Part Name.	Qty.	No.	Part Name.	Qty.
1	Motor Key 6x6x30 AB	1	17	Idler Bushing	1
2	Internal Circlip (ø55)	1	18	Cover Pin	1
3	External Circlip (ø30)	1	19	Cover (w/ Bypass Inlets)	1
4	Ball Bearing (6006-2RS)	1	20	Inbus Bolts M8x25	9
5	Mechanical Seal Ø30	1	21	Bypass Gasket	1
6	Shaft	1	22	Pressure Relief Valve - Bypass	1
7	Rotor Key 6x6x20 A	1	23	Bypass O-Ring	1
8	Mounting Flange	1	24	Valve	1
9	Hex Bolt M8x25	12	25	Spring	1
10	Bracket Gasket	1	26	Washer	1
11	Casing (w/ 90° Threaded Ports)	1	27	Bypass Cover	1
12	Casing (w/ 90° Flanged Ports)	1	28	Cap O-Ring	1
13	Casing (w/ 180° Flanged Ports)	1	29	Nut M8	1
14	Cover Gasket	1	30	Adjusting Screw M8x55	1
15	Rotor Gear	1	31	Cap	1
16	Idler Gear	1			

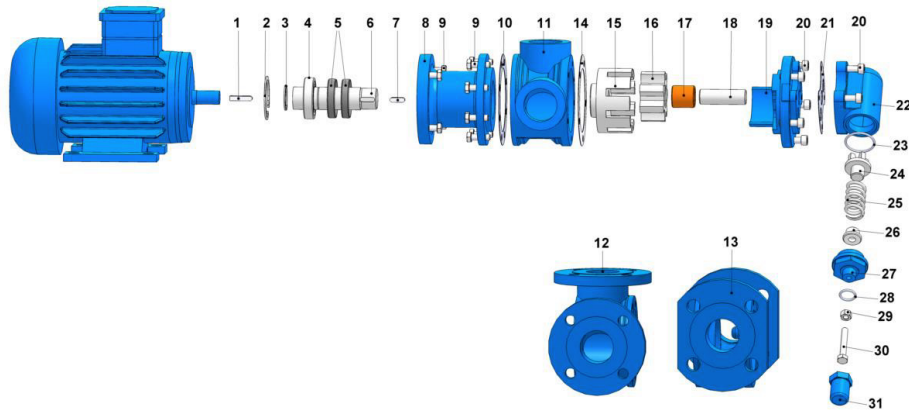
## Spare Parts List - Sealed with mechanical seal, jacketed, and with blind cover:



No.	Part Name.	Qty.	No.	Part Name.	Qty.
1	Motor Key 6x6x30 AB	1	13	Casing (w/ 180° Flanged Ports)	1
2	Internal Circlip (ø55)	1	14	Head Gasket	1
3	External Circlip (ø30)	1	15	Rotor Gear	1
4	Ball Bearing (6006-2RS)	1	16	Idler Gear	1
5	Mechanical Seal Ø30	1	17	Idler Bushing	1
6	Shaft	1	18	Cover Pin	1
7	Rotor Key 6x6x20 A	1	19	Blind Cover	1
8	Mounting Flange	1	20	Cover (w/ Heating Jacket)	1
9	Hex Bolt M8x25	12	21	Inbus Bolt M8x25	5
10	Bracket Gasket	1		Inbus Bolt M8x30 For Cover	5
11	Casing (w/ 90° Threaded Ports)	1		w/ Heating Jacket	
12	Casing (w/ 90° Flanged Ports)	1			

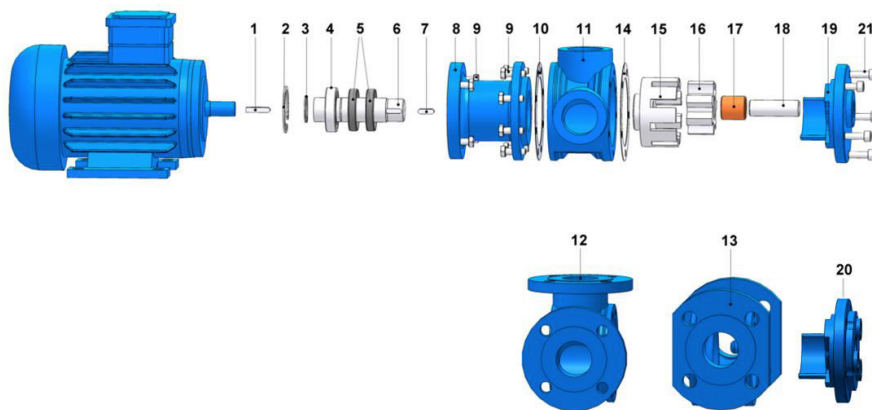


## Spare Parts List - Sealed with lip seal and pressure relief valve on cover:



No.	Part Name.	Qty.	No.	Part Name.	Qty.
1	Motor Key 6x6x30 AB	1	17	Idler Bushing	1
2	Internal Circlip (ø55)	1	18	Cover Pin	1
3	External Circlip (ø30)	1	19	Cover (w/ Bypass Inlets)	1
4	Ball Bearing (6006-2RS)	1	20	Hex Socket M8x25	9
5	Lip Seal ø30xø52x10	2	21	Bypass Gasket	1
6	Shaft	1	22	Pressure Relief Valve - Bypass	1
7	Rotor Key 6x6x20 A	1	23	Bypass O-Ring	1
8	Mounting Flange	1	24	Valve	1
9	Hex Bolt M8x25	12	25	Spring	1
10	Bracket Gasket	1	26	Washer	1
11	Casing (w/ 90° Threaded Ports)	1	27	Bypass Cover	1
12	Casing (w/ 90° Flanged Ports)	1	28	Cap O-Ring	1
13	Casing (w/ 180° Flanged Ports)	1	29	Nut M8	1
14	Cover Gasket	1	30	Adjusting Screw M8x55	1
15	Rotor Gear	1	31	Cap	1
16	Idler Gear	1			

## Spare Parts List - Sealed with lip seal, jacketed, and with blind cover:



No.	Part Name.	Qty.	No.	Part Name.	Qty.
1	Motor Key 6x6x30 AB	1	13	Casing (w/ 180° Flanged Ports)	1
2	Internal Circlip (ø55)	1	14	Cover Gasket	1
3	External Circlip (ø30)	1	15	Rotor Gear	1
4	Ball Bearing (6006-2RS)	1	16	Idler Gear	1
5	Lip Seal ø30xø52x10	2	17	Idler Bushing	1
6	Shaft	1	18	Cover Pin	1
7	Rotor Key 6x6x20 A	1	19	Blind Cover	1
8	Mounting Flange	1	20	Cover (w/ Heating Jacket)	1
9	Hex Bolt M8x25	12	21	Hex Socket M8x25	5
10	Bracket Gasket	1		Hex Socket M8x30 For Cover w/ Heating Jacket	5
11	Casing (w/ 90° Threaded Ports)	1			
12	Casing (w/ 90° Flanged Ports)	1			



## YMBF 2" Internal Eccentric Gear Pump



### Performance:

Flow rate	14 m <sup>3</sup> /h
Pressure	1 - 5 bar
Temperature	0 - 70 °C
Speed	500 d/d
Viscosity	100 - 25000 SSU

### Technical Features:

- ✓ Internal eccentric gear pump
- ✓ 2" flanged threaded connections
- ✓ Designed for low pressure applications
- ✓ Compact design
- ✓ Reliable construction thanks to only two moving parts
- ✓ Various material options
- ✓ Available with external bypass, jacketed cover and blind covered
- ✓ 230v, three phase 50/60hz motors available
- ✓ Manufactured according to CE regulations

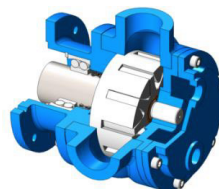
### Applications:

- ✓ Fuel oil, diesel fuel and gas oil transfer
- ✓ Small scale thermal oil applications including Marlotherm, Duratherm, Paratherm, Multitherm, Mobiltherm and Dowtherm
- ✓ Lubrication applications
- ✓ Coolant transfer
- ✓ Any transfer of low to medium viscosity fluids with lubricating properties
- ✓ Not suitable for fluids containing abrasive particles

### Material Options:

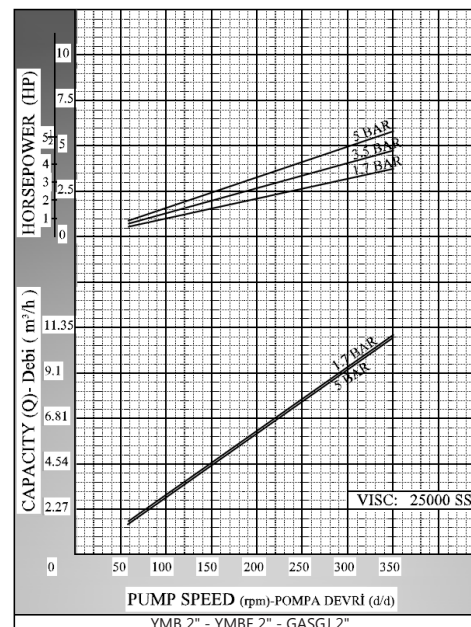
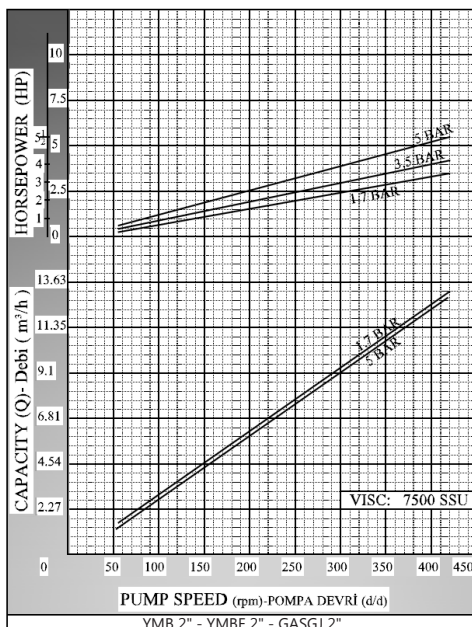
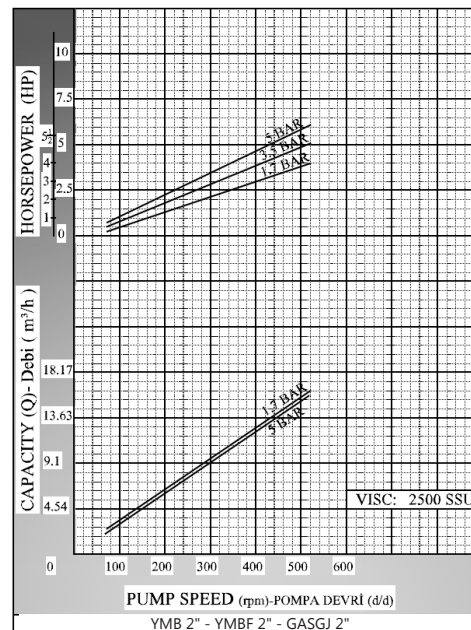
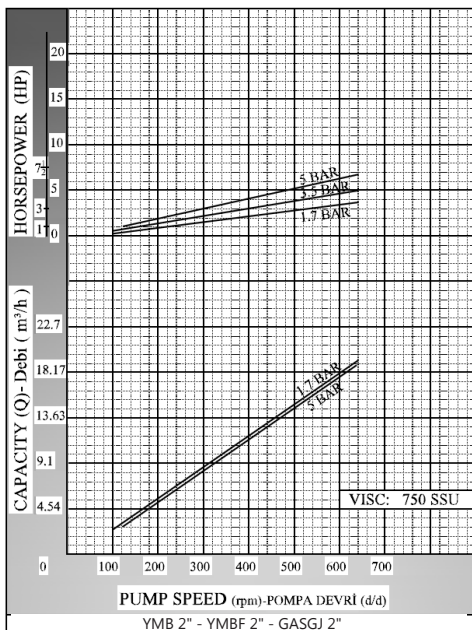
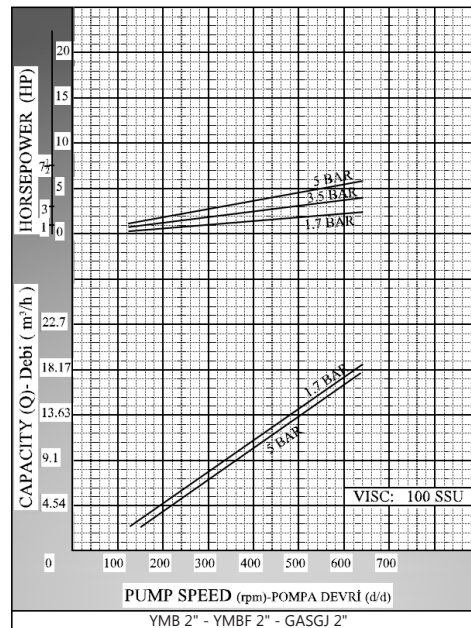
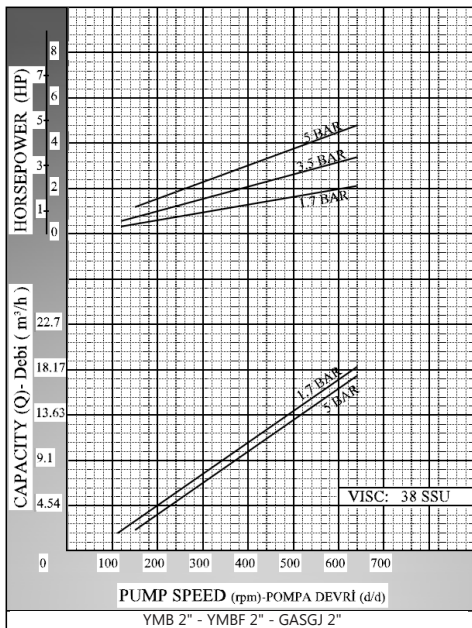
- ✓ Pump body & covers: Cast iron, steel cast, stainless AISI 304/316 cast
- ✓ Gears: Cast iron, steel cast, stainless AISI 304 / 316 cast, Spheroidal cast iron
- ✓ Bearings: Snbz 12 bronze, carbon graphite, silicon carbide, hard metal coated steel
- ✓ Sealing: Lip seal

Capacity & Power Table					
Capacity (Q)	Speed (rpm)	Pressure			Viscosity
		2 Bar	3 Bar	5 Bar	
8	280	3 HP	4 HP	5.5 HP	25000 SSU
10	340	3 HP	4 HP	5.5 HP	7500 SSU
12	400	3 HP	4 HP	5.5 HP	2500 SSU
13.5	450	3 HP	4 HP	5.5 HP	750 SSU





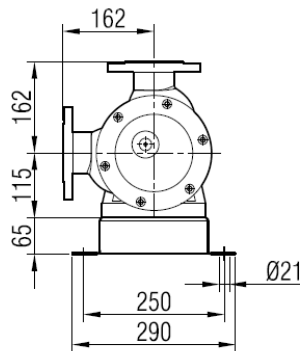
## Performance Curves:



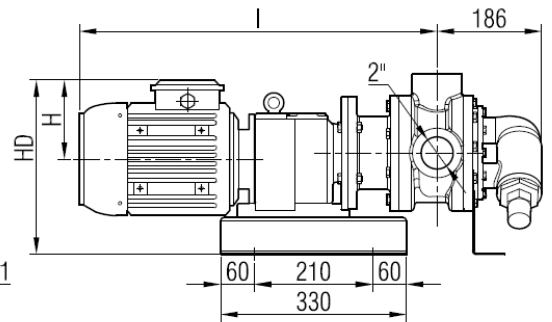
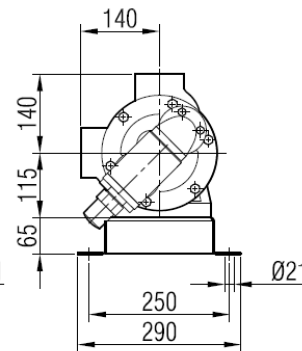


## Pump Dimensions:

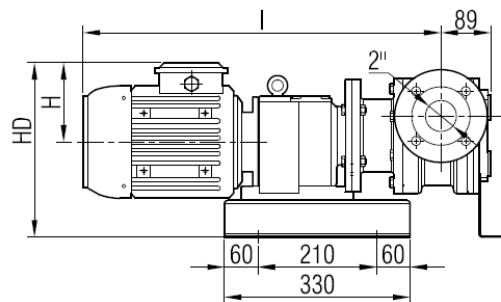
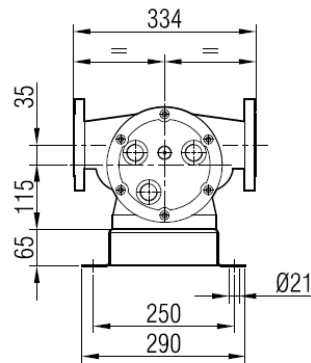
YMBF 2"



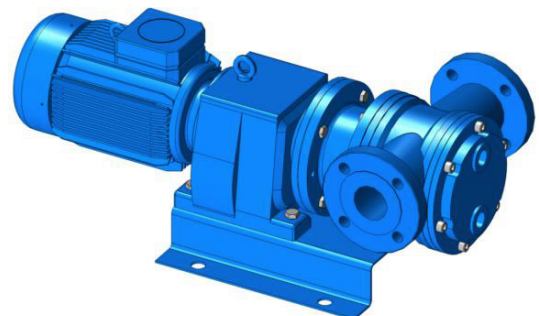
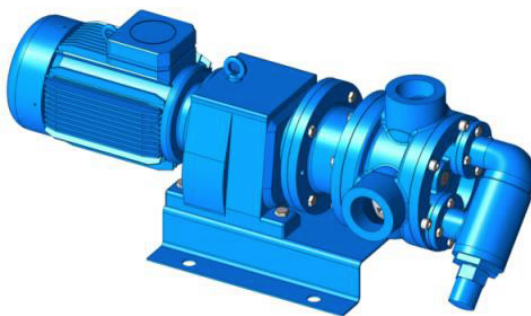
YMB 2"



GASGJ 2"

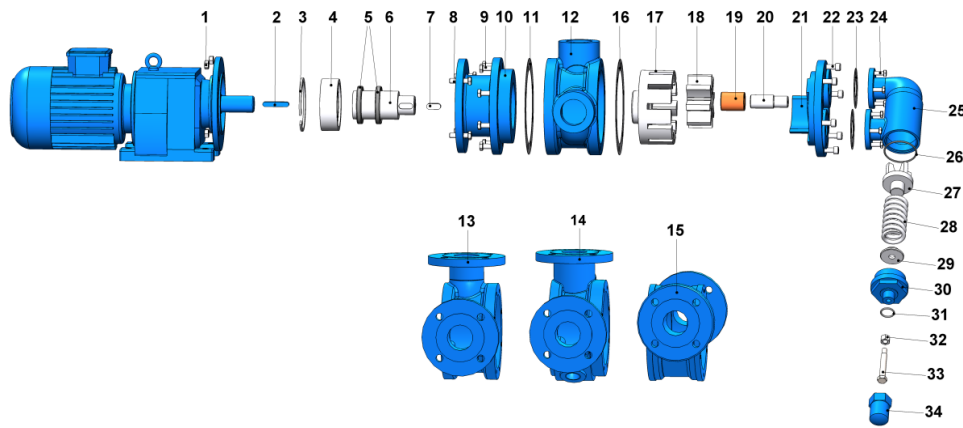


Motor Power & Speed		I	HD	H	Kg	
1.5 hp / 1.1 kw		605	301	132	91	
30/104 d/d (rpm)	IRAFM62/90S					
2 hp / 1.5 kw		630			93	
30/200 d/d (rpm)	IRAFM62/90L					
3-4 hp / 2.2-3 kw		672	310	141	97	105
65/450 d/d (rpm)	IRAFM62/100L					
5.5 hp / 4 kw		693	318	149	107	
87/450 d/d (rpm)	IRAFM62/112M					



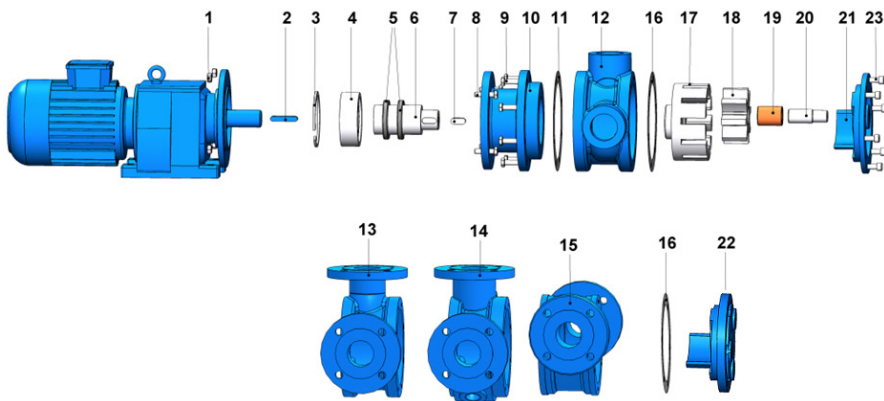


## Spare Parts List - Sealed with lip seal and bypassed with pressure relief valve:



No.	Part Name.	Qty.	No.	Part Name.	Qty.
1	Nut M10	4	18	Idler Gear	1
2	Gear Motor Key 10x8x56 A	1	19	Idler Bushing	1
3	Internal Circlip (ø110)	1	20	Cover Pin	1
4	Ball Bearing (3212-2RS)	1	21	Cover (w/Bypass Inlets)	1
5	Lip Seal 60x80x10	2	22	Inbus Bolt M10x30	6
6	Shaft	1	23	Bypass Gasket	2
7	Rotor Key 12x8x30 A	1	24	Hex Screw M8x25	8
8	Hex Screw M10x40	4	25	Pressure Relief Valve	1
9	Hex Screw M10x30	8	26	Bypass O-Ring	1
10	Mounting Flange	1	27	Valve	1
11	Bracket Gasket	1	28	Spring	1
12	Casing (90° Threaded Ports)	1	29	Washer	1
13	Casing (90° Flanged Ports)	1	30	Bypass Cover	1
14	Casing (Jacketed & w/90° Flanged Ports)	1	31	Cap O-Ring	1
15	Casing (w/ 180° Flanged Ports)	1	32	Nut M12	1
16	Cover Gasket	1	33	Adjusting Screw M12x80	1
17	Rotor Gear	1	34	Cap	1

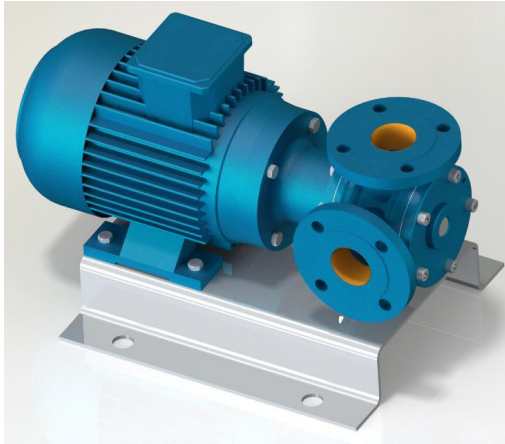
## Spare Parts List - Sealed with lip seal, jacketed, and with blind cover:



No.	Part Name.	Qty.	No.	Part Name.	Qty.
1	Nut M10	4	13	Casing (90° Flanged Ports)	1
2	Gear Motor Key 10x8x56 A	1	14	Casing (Jacketed & w/90° Flanged Ports)	1
3	Internal Circlip (ø110)	1	15	Casing (w/ 180° Flanged Ports)	1
4	Ball Bearing (3212-2RS)	1	16	Cover Gasket	2
5	Lip Seal 60x80x10	2	17	Rotor Gear	1
6	Shaft	1	18	Idler Gear	1
7	Rotor Key 12x8x30 A	1	19	Idler Bushing	1
8	Hex Screw M10x40	4	20	Jacketed & Blind Cover Pin	1
9	Hex Screw M10x30	8	21	Blind Cover	1
10	Mounting Flange	1	22	Cover (w/ Heating Jacket)	1
11	Bracket Gasket	1	23	Inbus Bolt M10x35	6
12	Casing (90° Threaded Ports)	1			



## YMBF 2½" Internal Eccentric Gear Pump



### Performance:

Flow rate	23 m³/h
Pressure	1 - 5 bar
Temperature	0 - 70 °C
Speed	450 d/d
Viscosity	100 - 25000 SSU

### Technical Features:

- ✓ Internal eccentric gear pump
- ✓ 2½" flanged threaded connections
- ✓ Designed for low pressure applications
- ✓ Compact design
- ✓ Reliable construction thanks to only two moving parts
- ✓ Various material options
- ✓ Available with external bypass, jacketed cover and blind covered
- ✓ 230v, three phase 50/60hz motors available
- ✓ Manufactured according to CE regulations

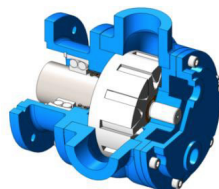
### Applications:

- ✓ Fuel oil, diesel fuel and gas oil transfer
- ✓ Small scale thermal oil applications including Marlotherm, Duratherm, Paratherm, Multitherm, Mobiltherm and Dowtherm
- ✓ Lubrication applications
- ✓ Coolant transfer
- ✓ Any transfer of low to medium viscosity fluids with lubricating properties
- ✓ Not suitable for fluids containing abrasive particles

### Material Options:

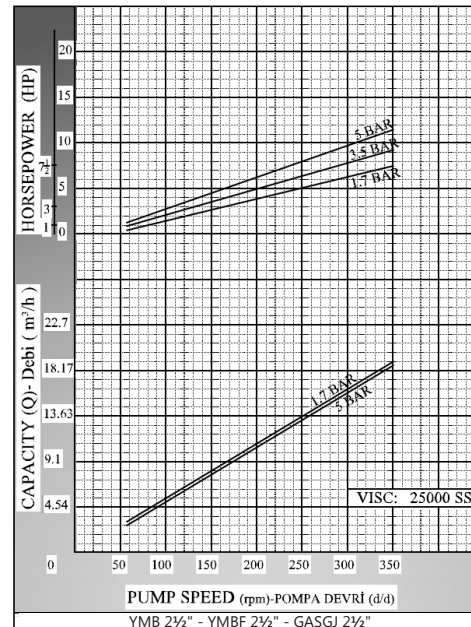
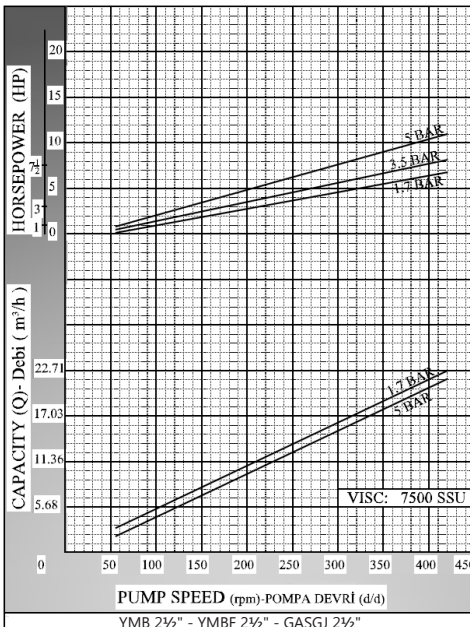
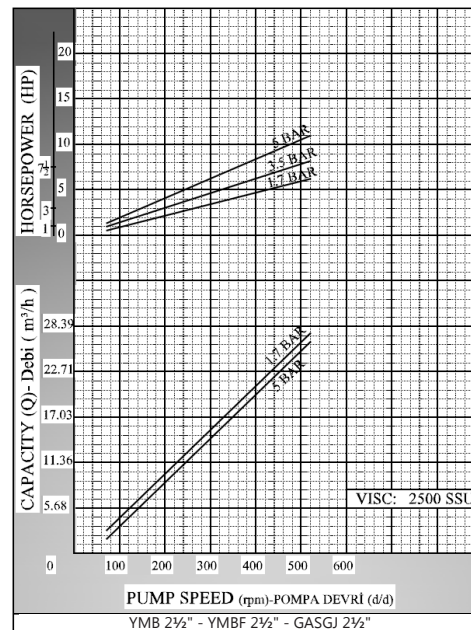
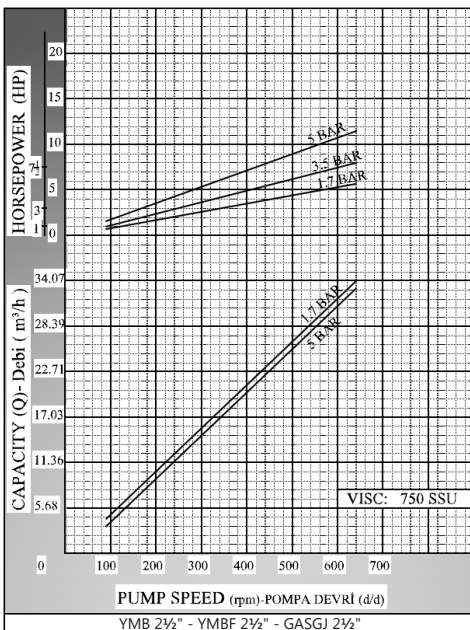
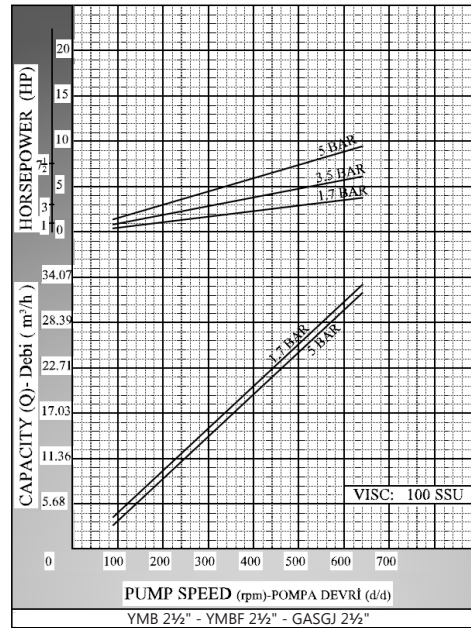
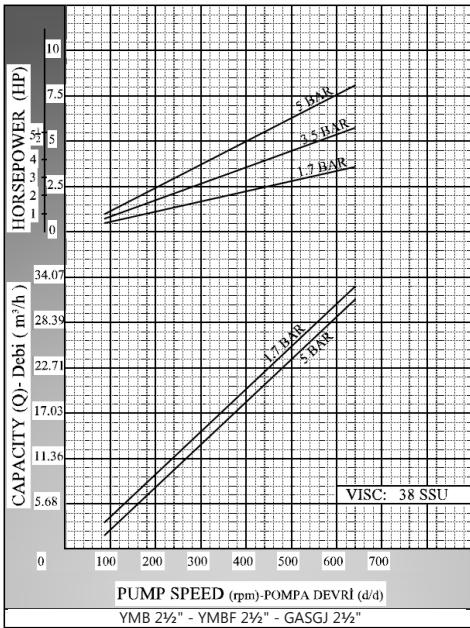
- ✓ Pump body & covers: Cast iron, steel cast, stainless AISI 304/316 cast
- ✓ Gears: Cast iron, steel cast, stainless AISI 304 / 316 cast, Spheroidal cast iron
- ✓ Bearings: Snbz 12 bronze, carbon graphite, silicon carbide, hard metal coated steel
- ✓ Sealing: Lip seal

Capacity & Power Table					
Capacity (Q)	Speed (rpm)	Pressure			Viscosity
		2 Bar	3 Bar	5 Bar	
10.5	200	5.5 HP	5.5 HP	7.5 HP	25000 SSU
13	250	5.5 HP	5.5 HP	7.5 HP	7500 SSU
18	350	5.5 HP	7.5 HP	7.5 HP	2500 SSU
23	450	5.5 HP	7.5 HP	10 HP	750 SSU





## Performance Curves:

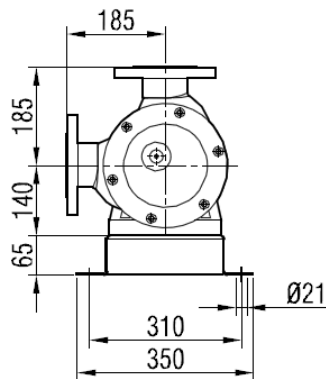




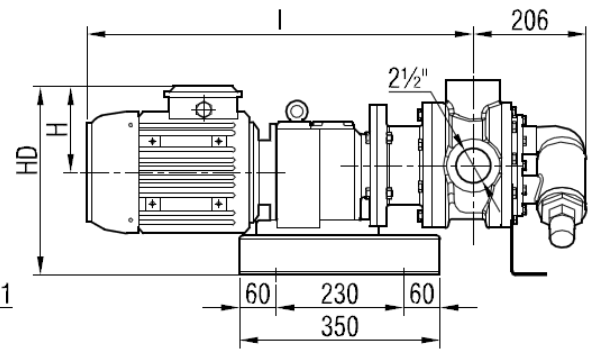
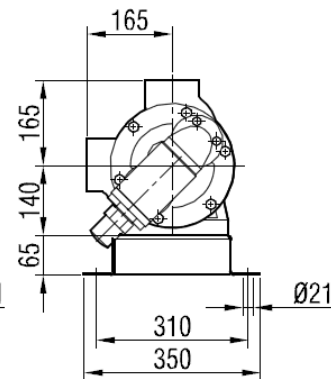


Pump Dimensions:

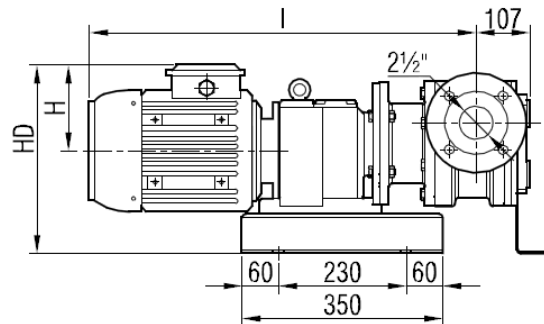
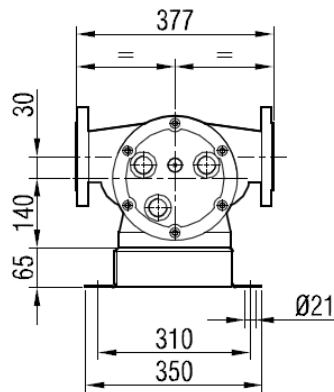
YMBF 2½"



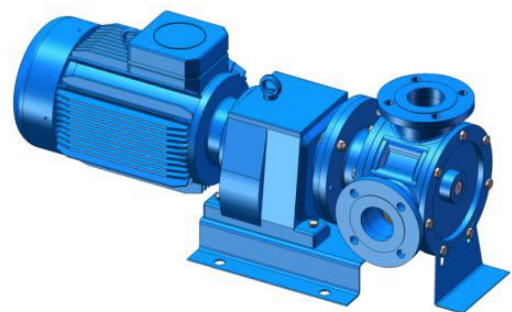
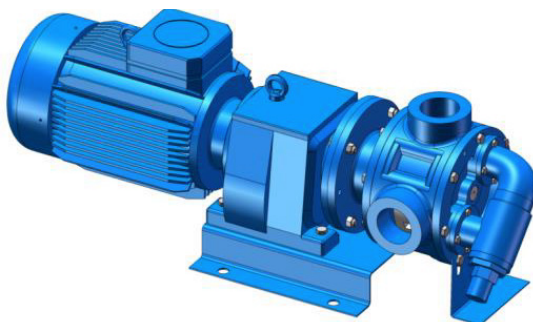
YMB 2½"



GASGJ 2½"

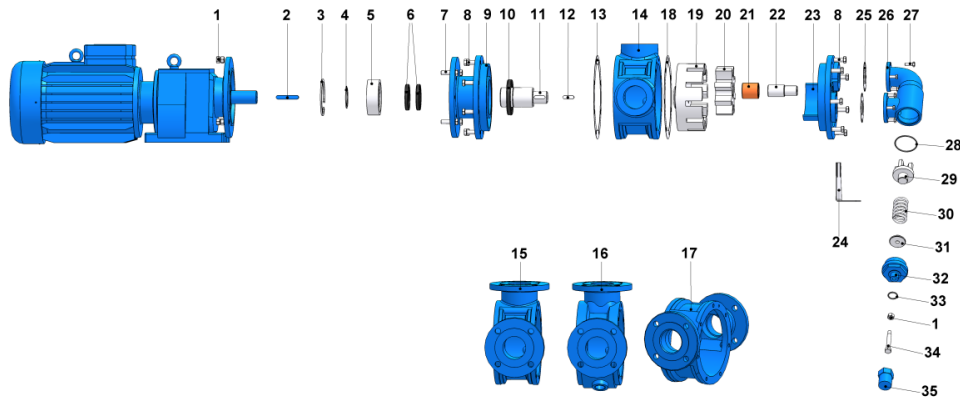


Motor Power & Speed		I	HD	H	Kg	
3-4 hp / 2.2-3 kw		676	335	141	116	124
65/450 d/d (rpm)	IRAFM62/100L					
5.5 hp / 4 kw		697	343	149	126	
87/450 d/d (rpm)	IRAFM62/112M					
7.5 hp / 5.5 kw		775	371	182	149	
70/400 d/d (rpm)	IRAFM72/132S					
10 hp / 7.5 kw		821			160	
120/400 d/d (rpm)	IRAFM72/132M					



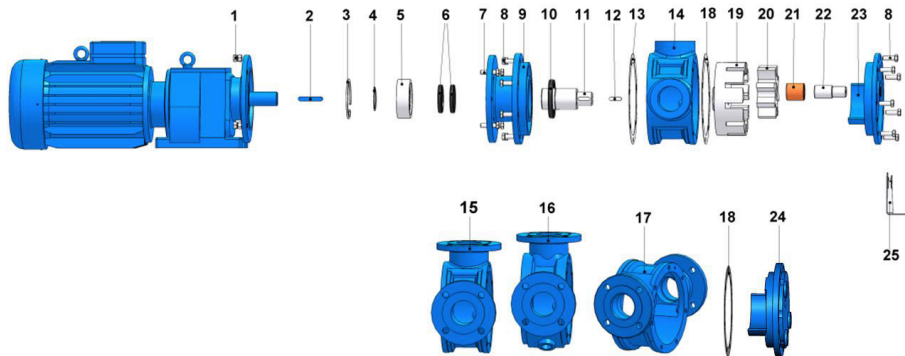


## Spare Parts List - Sealed with lip seal and pressure relief valve on cover:



No.	Part Name.	Qty.	No.	Part Name.	Qty.
1	Nut M12	4	19	Rotor Gear	1
2	Gear Motor Key 12x8x70 A	1	20	Idler Gear	1
3	Internal Circlip (ø100)	1	21	Idler Bushing	1
4	External Circlip (ø60)	1	22	Cover Pin	1
5	Ball Bearing (3212-2RS)	1	23	Cover (w/Bypass Inlets)	1
6	Lip Seal ø60xø80x10	2	24	Pump Support	1
7	Screw M12x45	4	25	Bypass Gasket	2
8	Screw M12x35	14	26	Pressure Relief Valve	1
9	Mounting Flange	1	27	Screw M8x25	8
10	Lip Seal ø70xø110x13	1	28	Bypass O-Ring	1
11	Shaft	1	29	Valve	1
12	Rotor Key 10x8x35 A	1	30	Spring	1
13	Casing Gasket	1	31	Washer	1
14	Casing (w/90° Threaded Ports)	1	32	Bypass Cover	1
15	Casing (w/ 90° Flanged Ports)	1	33	Cap O-Ring	1
16	Casing (90° Flanged Ports & w/ Heating Jacket)	1	34	Adjusting Screw M12x80	1
17	Casing (w/ 180° Flanged Ports)	1	35	Cap	1
18	Cover Gasket	1			

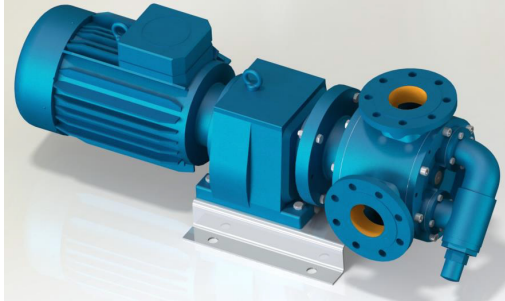
## Spare Parts List - Sealed with lip seal, jacketed, and with blind cover:



No.	Part Name.	Qty.	No.	Part Name.	Qty.
1	Nut M12	4	14	Casing (w/ 90° Threaded Ports)	1
2	Gear Motor Key 12x8x70 A	1	15	Casing (w/ 90° Flanged Ports)	1
3	Internal Circlip (ø110)	1	16	Casing (90° Flanged w/ Heating Jackets)	1
4	External Circlip (ø60)	1	17	Casing (w/ 180° Flanged Ports)	1
5	Ball Bearing (3212-2RS)	1	18	Cover Gasket	2
6	Lip Seal ø60xø80x10	2	19	Rotor Gear	1
7	Screw M12x45	4	20	Idler Gear	1
8	Screw M12x35 For Blind Cover	15	21	Idler Bushing	1
	Screw M12x40 For Cover (w/Heating Jacket)	7	22	Cover Pin	1
9	Mounting Flange	1	23	Blind Cover	1
10	Lip Seal ø70xø110x13	1	24	Cover (w/ Heating Jacket)	1
11	Shaft	1	25	Pump Support	1
12	Rotor Key 10x8x35 A	1			
13	Casing Gasket	1			



# YMBF 3" Internal Eccentric Gear Pump



### Performance:

Flow rate	32 m <sup>3</sup> /h
Pressure	1 - 5 bar
Temperature	0 - 70 °C
Speed	400 d/d
Viscosity	100 - 25000 SSU

### Technical Features:

- ✓ Internal eccentric gear pump
- ✓ 3" flanged threaded connections
- ✓ Designed for low pressure applications
- ✓ Compact design
- ✓ Reliable construction thanks to only two moving parts
- ✓ Various material options
- ✓ Available with external bypass, jacketed cover and blind covered
- ✓ 230v, three phase 50/60hz motors available
- ✓ Manufactured according to CE regulations

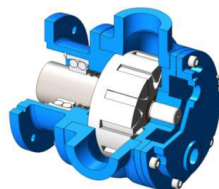
### Applications:

- ✓ Fuel oil, diesel fuel and gas oil transfer
- ✓ Small scale thermal oil applications including Marlotherm, Duratherm, Paratherm, Multitherm, Mobiltherm and Dowtherm
- ✓ Lubrication applications
- ✓ Coolant transfer
- ✓ Any transfer of low to medium viscosity fluids with lubricating properties
- ✓ Not suitable for fluids containing abrasive particles

### Material Options:

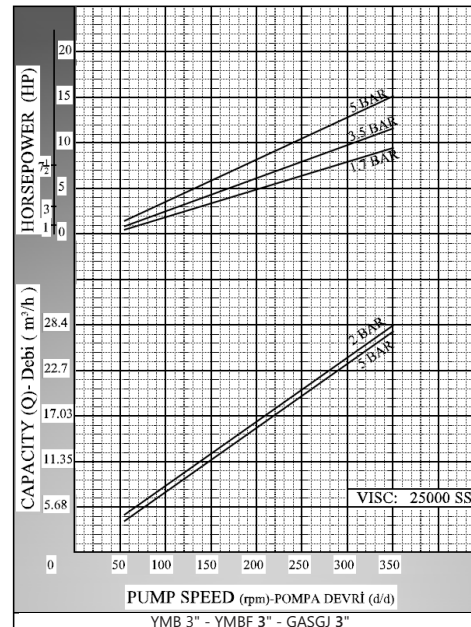
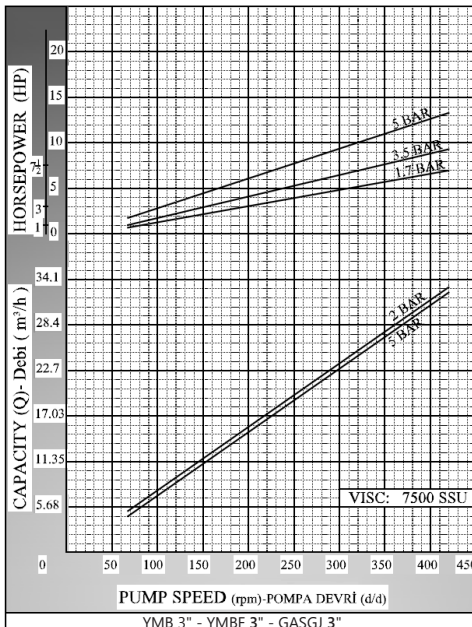
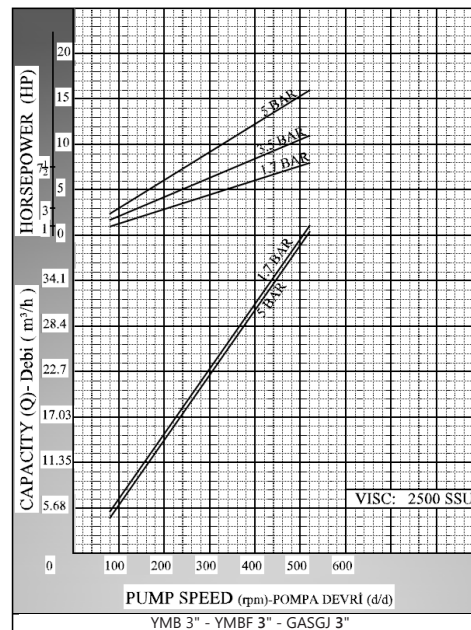
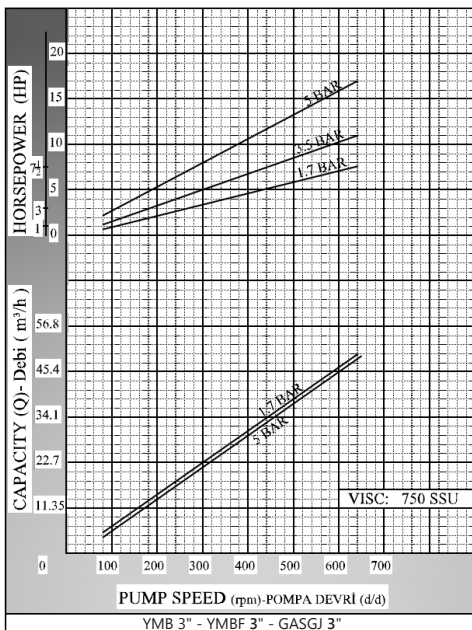
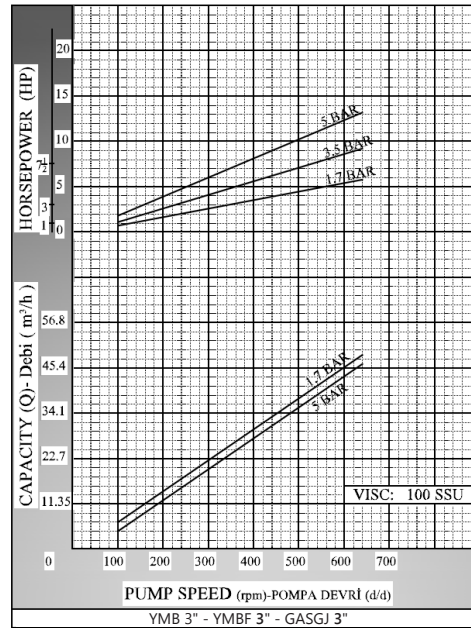
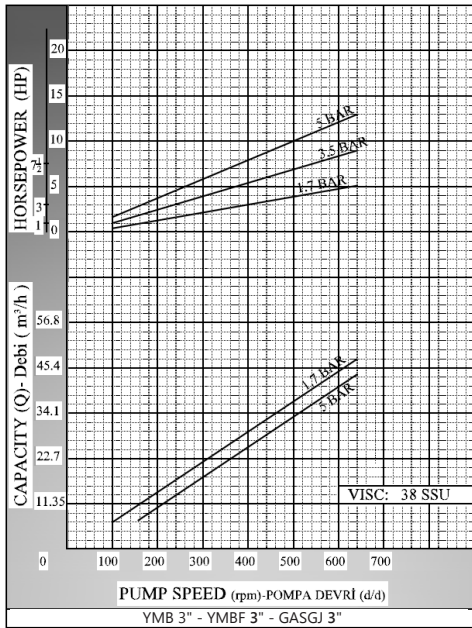
- ✓ Pump body & covers: Cast iron, steel cast, stainless AISI 304/316 cast
- ✓ Gears: Cast iron, steel cast, stainless AISI 304 / 316 cast, Spheroidal cast iron
- ✓ Bearings: Snbz 12 bronze, carbon graphite, silicon carbide, hard metal coated steel
- ✓ Sealing: Lip seal

Capacity & Power Table					
Capacity (Q)	Speed (rpm)	Pressure			Viscosity
		2 Bar	3 Bar	5 Bar	
16	200	7.5 HP	10 HP	10 HP	75000 SSU
22	280	7.5 HP	10 HP	15 HP	25000 SSU
27	350	7.5 HP	10 HP	15 HP	7500 SSU
32	400	7.5 HP	10 HP	15 HP	2500 SSU





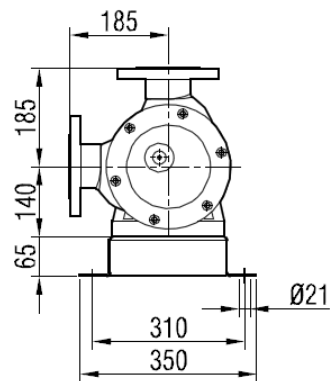
## Performance Curves:



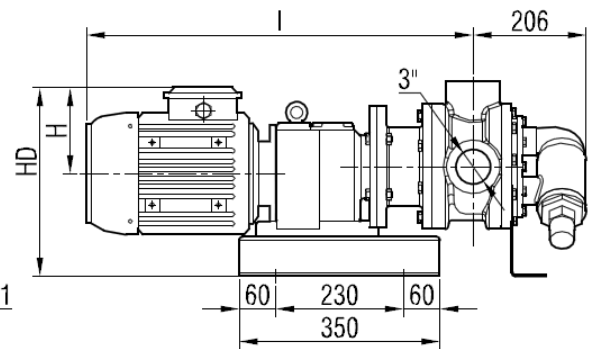
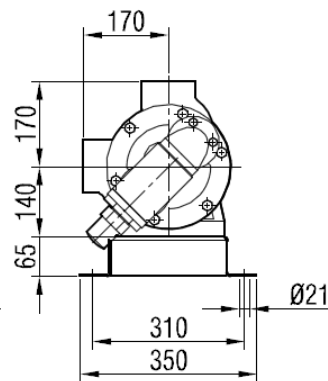


## Pump Dimensions:

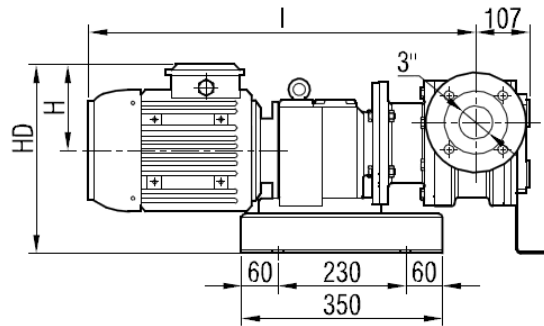
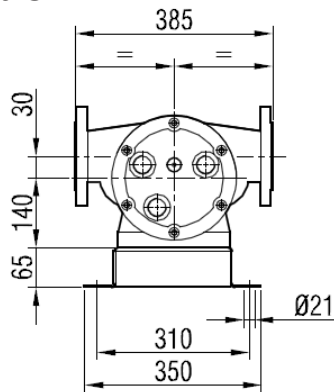
### YMBF 3"



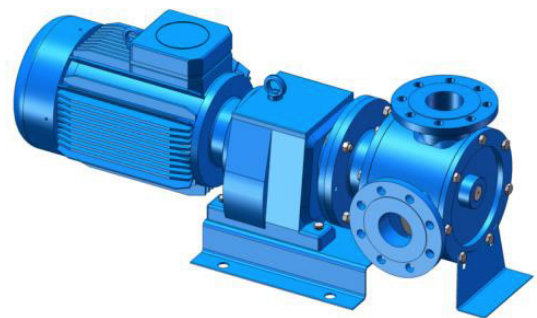
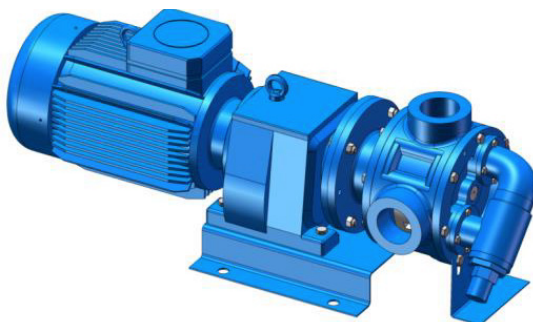
### YMB 3"



### GASGJ 3"

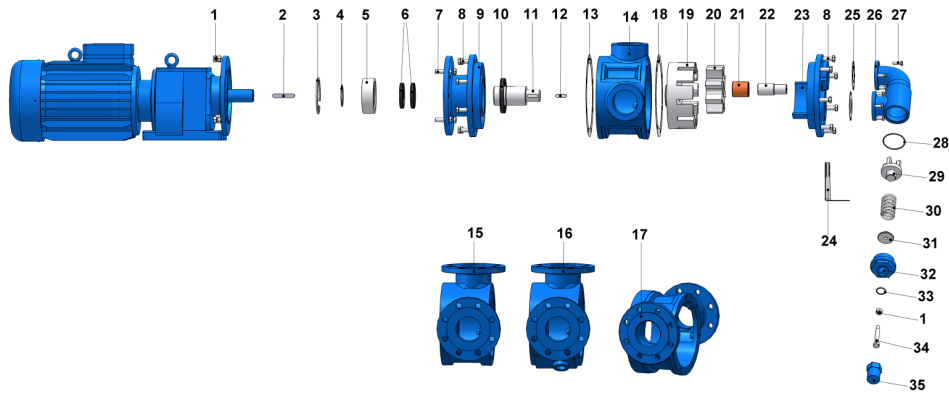


Motor Power & Speed		I	HD	H	Kg	
3-4 hp / 2.2-3 kw		701	335	141	123	131
65/450 d/d (rpm)	IRAFM62/100L					
5.5 hp / 4 kw		722	343	149	133	
87/450 d/d (rpm)	IRAFM62/112M					
7.5 hp / 5.5 kw		800	371	182	156	
70/400 d/d (rpm)	IRAFM72/132S					
10 hp / 7.5 kw		846			167	
120/400 d/d (rpm)	IRAFM72/132M					



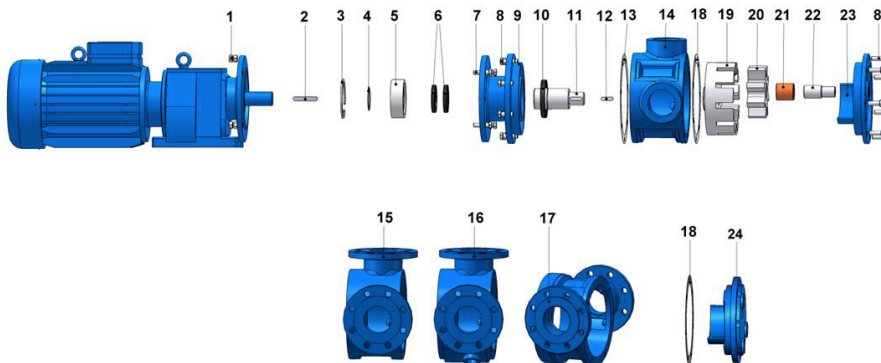


## Spare Parts List - Sealed with lip seal and pressure relief valve on cover:



No.	Part Name.	Qty.	No.	Part Name.	Qty.
1	Nut M12	4	19	Rotor Gear	1
2	Gear Motor Key 12x8x70 A	1	20	Idler Gear	1
3	Internal Circlip (ø100)	1	21	Idler Bushing	1
4	External Circlip (ø60)	1	22	Cover Pin	1
5	Ball Bearing (3212-2RS)	1	23	Cover (w/Bypass Inlets)	1
6	Lip Seal ø60xø80x10	2	24	Pump Support	1
7	Screw M12x45	4	25	Bypass Gasket	2
8	Screw M12x35	14	26	Pressure Relief Valve	1
9	Mounting Flange	1	27	Screw M8x25	8
10	Lip Seal ø70xø110x13	1	28	Bypass O-Ring	1
11	Shaft	1	29	Valve	1
12	Rotor Key 10x8x35 A	1	30	Spring	1
13	Casing Gasket	1	31	Washer	1
14	Casing (w/90° Threaded Ports)	1	32	Bypass Cover	1
15	Casing (w/ 90° Flanged Ports)	1	33	Cap O-Ring	1
16	Casing (90° Flanged Ports & w/ Heating Jacket)	1	34	Adjusting Screw M12x80	1
17	Casing (w/ 180° Flanged Ports)	1	35	Cap	1
18	Cover Gasket	1			

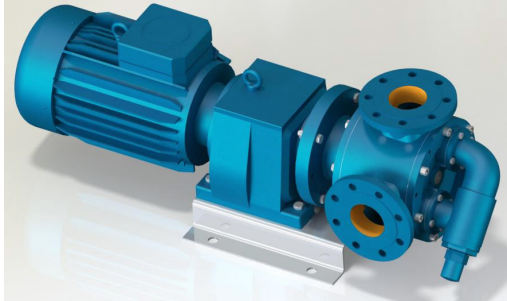
## Spare Parts List - Sealed with lip seal, jacketed, and with blind cover:



No.	Part Name.	Qty.	No.	Part Name.	Qty.
1	Nut M12	4	14	Casing (w/ 90° Threaded Ports)	1
2	Gear Motor Key 12x8x70 A	1	15	Casing (w/ 90° Flanged Ports)	1
3	Internal Circlip (ø110)	1	16	Casing (90° Flanged w/ Heating Jackets)	1
4	External Circlip (ø60)	1	17	Casing (w/ 180° Flanged Ports)	1
5	Ball Bearing (3212-2RS)	1	18	Cover Gasket	2
6	Lip Seal ø60xø80x10	2	19	Rotor Gear	1
7	Screw M12x45	4	20	Idler Gear	1
8	Screw M12x35 For Blind Cover	15	21	Idler Bushing	1
	Screw M12x40 For Cover (w/Heating Jacket)	7	22	Cover Pin	1
9	Mounting Flange	1	23	Blind Cover	1
10	Lip Seal ø70xø110x13	1	24	Cover (w/ Heating Jacket)	1
11	Shaft	1	25	Pump Support	1
12	Rotor Key 10x8x35 A	1			
13	Casing Gasket	1			



## YMBU 1½" Internal Eccentric Gear Pump



### Performance:

Flow rate	6.7 m <sup>3</sup> /h
Pressure	1 - 7 bar
Temperature	0 - 70 °C
Speed	1400 d/d
Viscosity	100 - 7500 SSU

### Technical Features:

- ✓ Internal eccentric gear pump
- ✓ 1½" flanged threaded connections
- ✓ Designed for low pressure applications
- ✓ Compact design
- ✓ Reliable construction thanks to only two moving parts
- ✓ Various material options
- ✓ Available with external bypass, jacketed cover and blind covered
- ✓ 230v, three phase 50/60hz motors available
- ✓ Manufactured according to CE regulations

### Applications:

- ✓ Fuel oil, diesel fuel and gas oil transfer
- ✓ Small scale thermal oil applications including Marlotherm, Duratherm, Paratherm, Multitherm, Mobiltherm and Dowtherm
- ✓ Lubrication applications
- ✓ Coolant transfer
- ✓ Any transfer of low to medium viscosity fluids with lubricating properties
- ✓ Not suitable for fluids containing abrasive particles

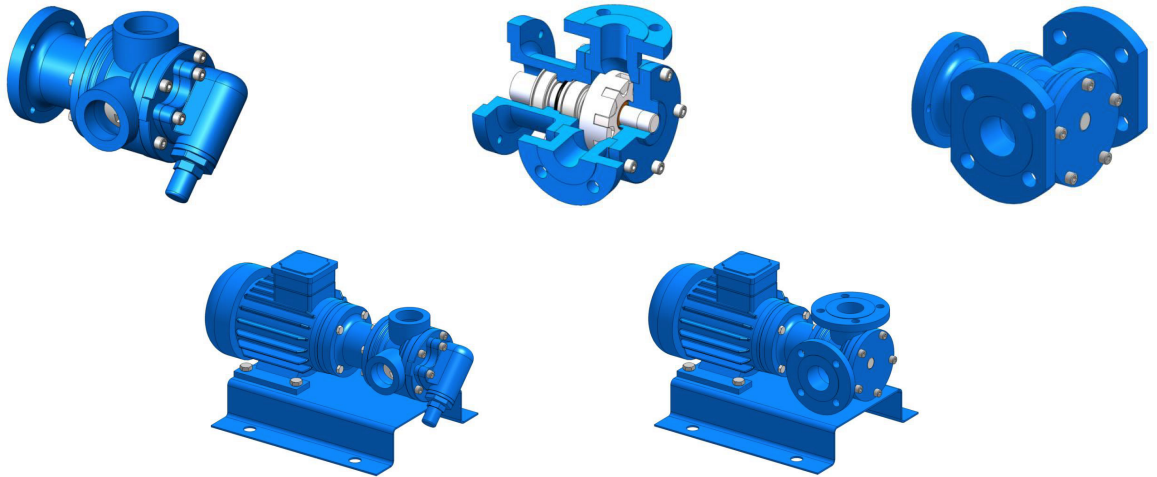
### Material Options:

- ✓ Pump body & covers: Cast iron, steel cast, stainless AISI 304/316 cast
- ✓ Gears: Cast iron, steel cast, stainless AISI 304 / 316 cast, Spheroidal cast iron
- ✓ Bearings: Snbz 12 bronze, carbon graphite, silicon carbide, hard metal coated steel
- ✓ Sealing: Lip seal

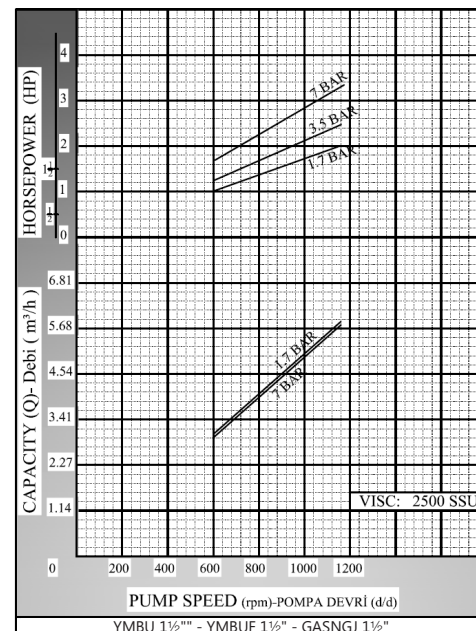
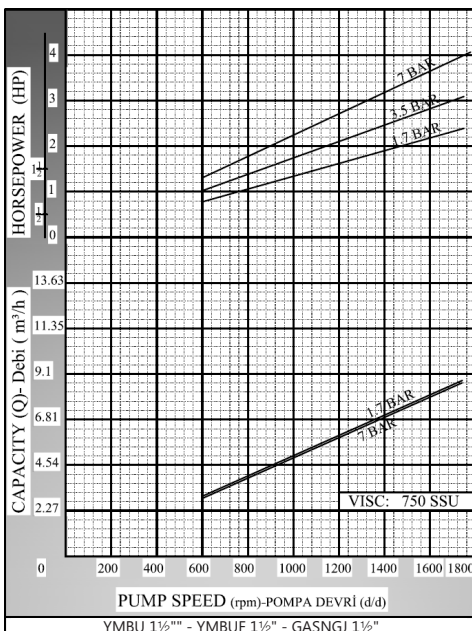
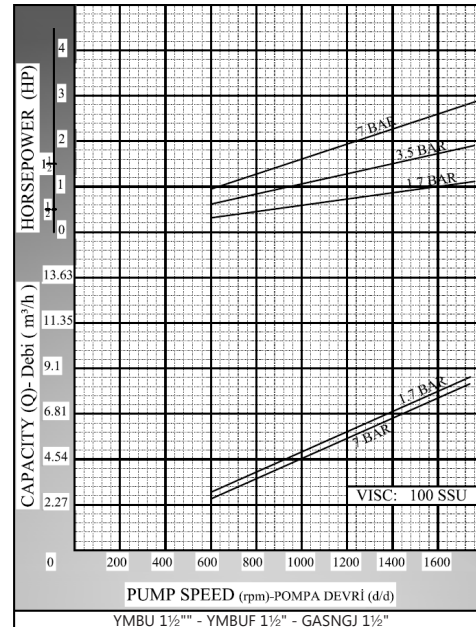
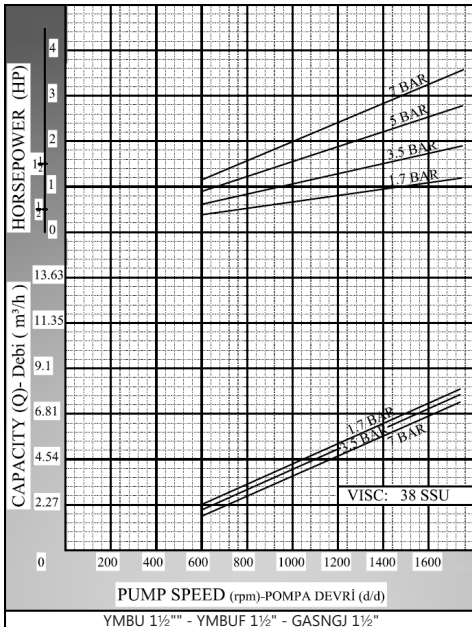
Capacity & Power Table						
Capacity (Q)	Speed (rpm)	Pressure				Viscosity
		2.5 Bar	5 Bar	7.5 Bar	10 Bar	
4.7	900	1.5 HP	2 HP	3 HP	4 HP	750 SSU
6.7	1400	1.5 HP	2 HP	3 HP	4 HP	100 SSU

Motor Powers	
1.5 HP	900 d/d (rpm)
1.5 HP	1400 d/d (rpm)
2 HP	1400 d/d (rpm)
Motor Body	
90	

Motor Powers	
2 HP	900 d/d (rpm)
3 HP	1400 d/d (rpm)
4 HP	1400 d/d (rpm)
Motor Body	
100	



## Performance Curves:

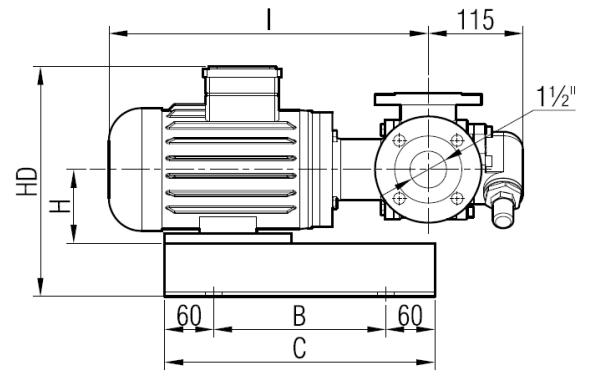
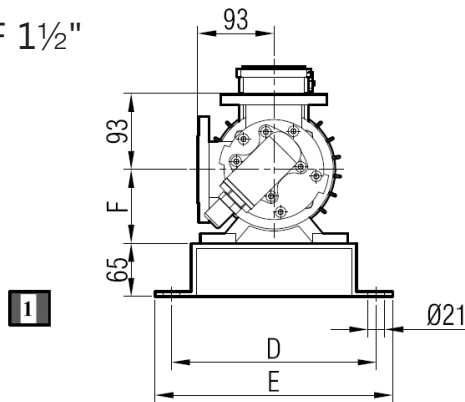




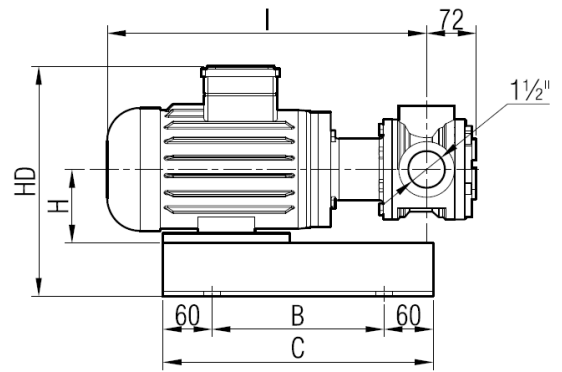
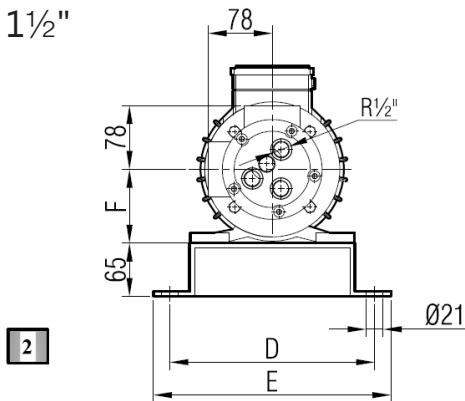


## Pump Dimensions:

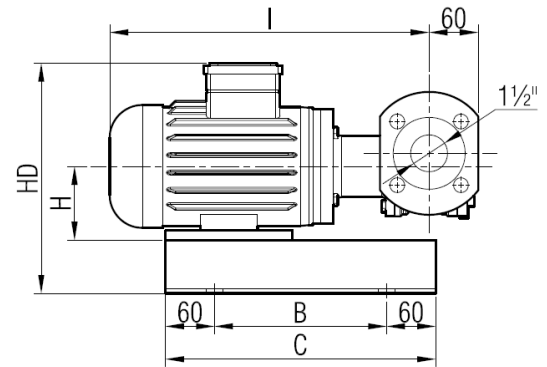
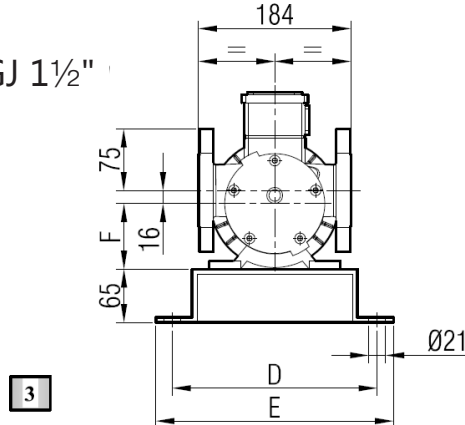
YMBUF 1½"



YMBU 1½"



GASNGJ 1½"

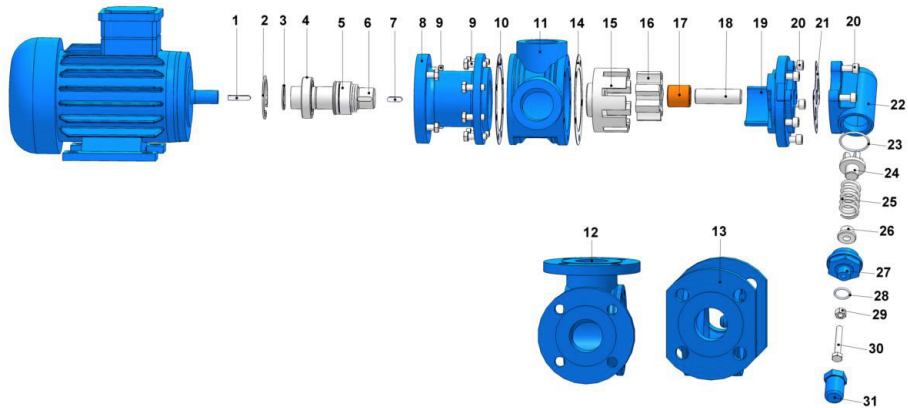


Motor Power & Speed			I	HD	H	B	C	D	E	F	Kg
1.5 hp / 1.1 kw	1400 d/d (rpm)	MOTOR 90S	390	281	90	210	330	250	290	90	32
1.5 hp / 1.1 kw	900 d/d (rpm)	MOTOR 90L	440								35
2 hp / 1.5 kw	1400 d/d (rpm)	MOTOR 100L	480	300	100	230	350	310	350	112	36
1.5 hp / 1.1 kw	750 d/d (rpm)										43
2 hp / 1.5 kw	900 d/d (rpm)										44
3 hp / 2.2 kw	1400 d/d (rpm)										43
4 hp / 3 kw	1400 d/d (rpm)										47
5.5 hp / 4 kw	1400 d/d (rpm)	MOTOR 112M	494	323	112	230	350	310	350	112	55

Explanation	1	2	3
		Pump with bypass	Pump with jacket

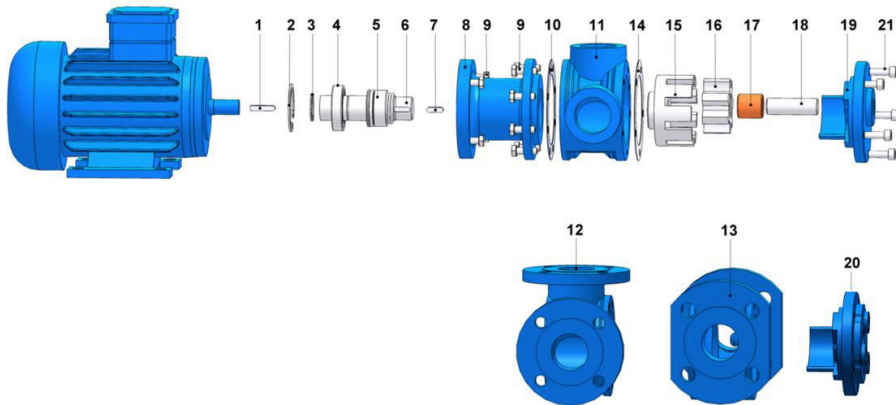


## Spare Parts List - Sealed with mechanical seal and pressure relief valve on cover:



No.	Part Name.	Qty.	No.	Part Name.	Qty.
1	Motor Key 6x6x30 AB	1	17	Idler Bushing	1
2	Internal Circlip (ø55)	1	18	Cover Pin	1
3	External Circlip (ø30)	1	19	Cover (w/Bypass Inlets)	1
4	Ball Bearing (6006-2RS)	1	20	Inbus Bolts M8x25	9
5	Mechanical Seal Ø30	1	21	Bypass Gasket	1
6	Shaft	1	22	Pressure Relief Valve - Bypass	1
7	Rotor Key 6x6x20 A	1	23	Bypass O-Ring	1
8	Mounting Flange	1	24	Valve	1
9	Hex Bolt M8x25	12	25	Spring	1
10	Bracket Gasket	1	26	Washer	1
11	Casing (w/90° Threaded Ports)	1	27	Bypass Cover	1
12	Casing (w/ 90° Flanged Ports)	1	28	Cap O-Ring	1
13	Casing (w/ 180° Flanged Ports)	1	29	Nut M8	1
14	Cover Gasket	1	30	Adjusting Screw M8x55	1
15	Rotor Gear	1	31	Cap	1
16	Idler Gear	1			

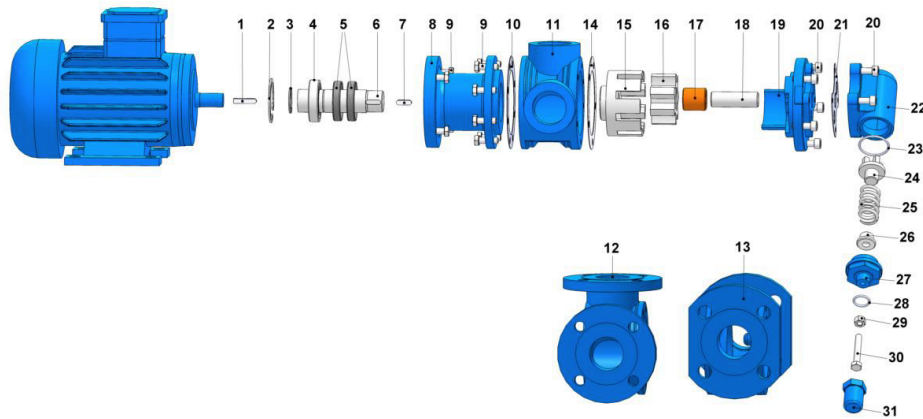
## Spare Parts List - Sealed with mechanical seal, jacketed, and with blind cover:



No.	Part Name.	Qty.	No.	Part Name.	Qty.
1	Motor Key 6x6x30 AB	1	13	Casing (w/ 180° Flanged Ports)	1
2	Internal Circlip (ø55)	1	14	Head Gasket	1
3	External Circlip (ø30)	1	15	Rotor Gear	1
4	Ball Bearing (6006-2RS)	1	16	Idler Gear	1
5	Mechanical Seal Ø30	1	17	Idler Bushing	1
6	Shaft	1	18	Cover Pin	1
7	Rotor Key 6x6x20 A	1	19	Blind Cover	1
8	Mounting Flange	1	20	Cover (w/ Heating Jacket)	1
9	Hex Bolt M8x25	12	21	Inbus Bolt M8x25	5
10	Bracket Gasket	1		Inbus Bolt M8x30 For Cover	5
11	Casing (w/90° Threaded Ports)	1		w/ Heating Jacket	
12	Casing (w/ 90° Flanged Ports)	1			

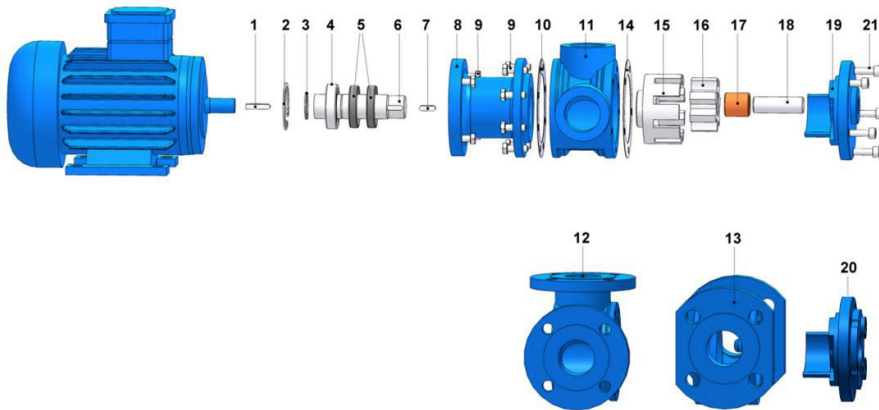


## Spare Parts List - Sealed with lip seal and pressure relief valve on cover:



No.	Part Name.	Qty.	No.	Part Name.	Qty.
1	Motor Key 6x6x30 AB	1	17	Idler Bushing	1
2	Internal Circlip (ø55)	1	18	Cover Pin	1
3	External Circlip (ø30)	1	19	Cover (w/Bypass Inlets)	1
4	Ball Bearing (6006-2RS)	1	20	Hex Socket M8x25	9
5	Lip Seal ø30xø52x10	2	21	Bypass Gasket	1
6	Shaft	1	22	Pressure Relief Valve - Bypass	1
7	Rotor Key 6x6x20 A	1	23	Bypass O-Ring	1
8	Mounting Flange	1	24	Valve	1
9	Hex Bolt M8x25	12	25	Spring	1
10	Bracket Gasket	1	26	Washer	1
11	Casing (w/90° Threaded Ports)	1	27	Bypass Cover	1
12	Casing (w/ 90° Flanged Ports)	1	28	Cap O-Ring	1
13	Casing (w/ 180° Flanged Ports)	1	29	Nut M8	1
14	Cover Gasket	1	30	Adjusting Screw M8x55	1
15	Rotor Gear	1	31	Cap	1
16	Idler Gear	1			

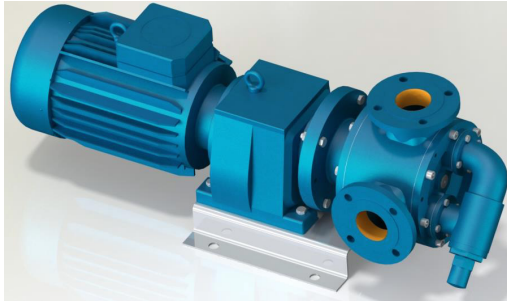
## Spare Parts List - Sealed with lip seal, jacketed, and with blind cover:



No.	Part Name.	Qty.	No.	Part Name.	Qty.
1	Motor Key 6x6x30 AB	1	13	Casing (w/ 180° Flanged Ports)	1
2	Internal Circlip (ø55)	1	14	Cover Gasket	1
3	External Circlip (ø30)	1	15	Rotor Gear	1
4	Ball Bearing (6006-2RS)	1	16	Idler Gear	1
5	Lip Seal ø30xø52x10	2	17	Idler Bushing	1
6	Shaft	1	18	Cover Pin	1
7	Rotor Key 6x6x20 A	1	19	Blind Cover	1
8	Mounting Flange	1	20	Cover (w/ Heating Jacket)	1
9	Hex Bolt M8x25	12	21	Hex Socket M8x25	5
10	Bracket Gasket	1		Hex Socket M8x30 For Cover	5
11	Casing (w/90° Threaded Ports)	1		w/ Heating Jacket	
12	Casing (w/ 90° Flanged Ports)	1			



# YMBUF 2½" Internal Eccentric Gear Pump



### Performance:

Flow rate	32 m³/h
Pressure	1 - 5 bar
Temperature	0 - 70 °C
Speed	400 d/d
Viscosity	100 - 25000 SSU

### Technical Features:

- ✓ Internal eccentric gear pump
- ✓ 2½" flanged threaded connections
- ✓ Designed for low pressure applications
- ✓ Compact design
- ✓ Reliable construction thanks to only two moving parts
- ✓ Various material options
- ✓ Available with external bypass, jacketed cover and blind covered
- ✓ 230v, three phase 50/60hz motors available
- ✓ Manufactured according to CE regulations

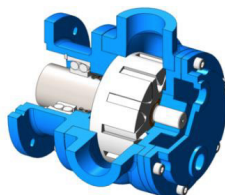
### Applications:

- ✓ Fuel oil, diesel fuel and gas oil transfer
- ✓ Small scale thermal oil applications including Marlotherm, Duratherm, Paratherm, Multitherm, Mobiltherm and Dowtherm
- ✓ Lubrication applications
- ✓ Coolant transfer
- ✓ Any transfer of low to medium viscosity fluids with lubricating properties
- ✓ Not suitable for fluids containing abrasive particles

### Material Options:

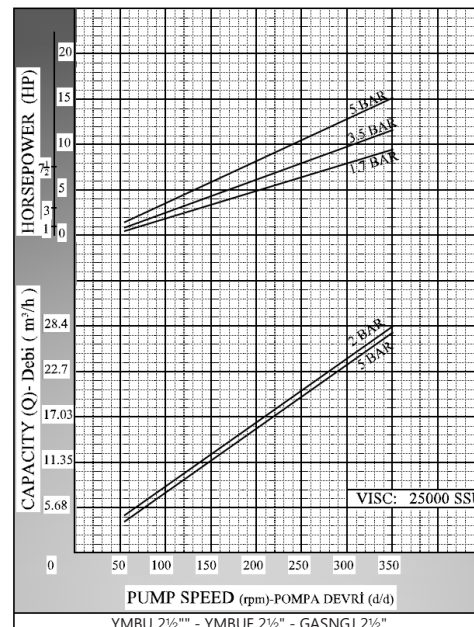
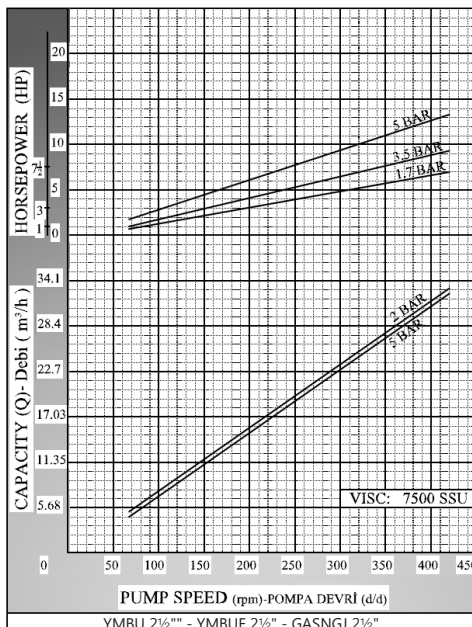
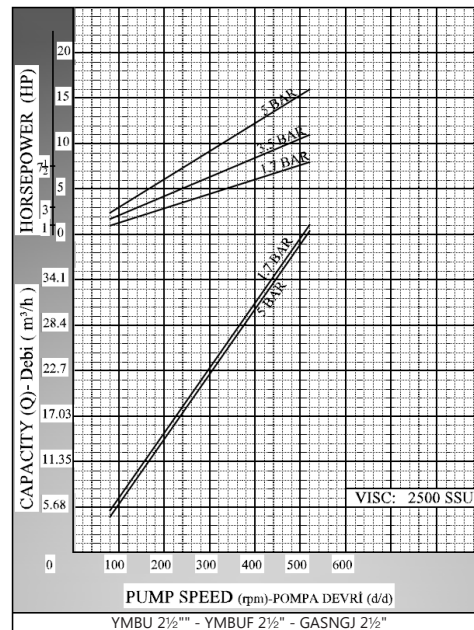
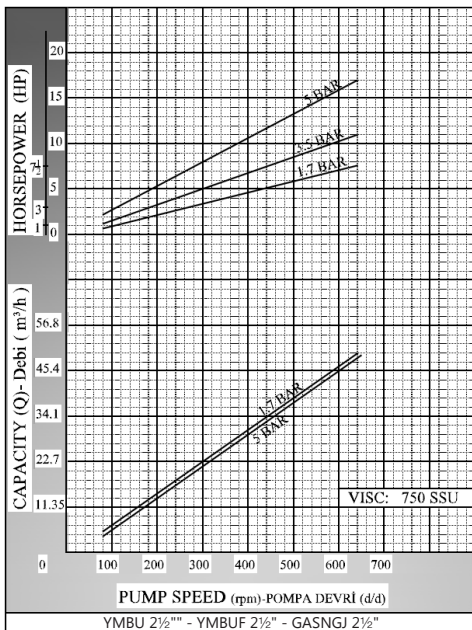
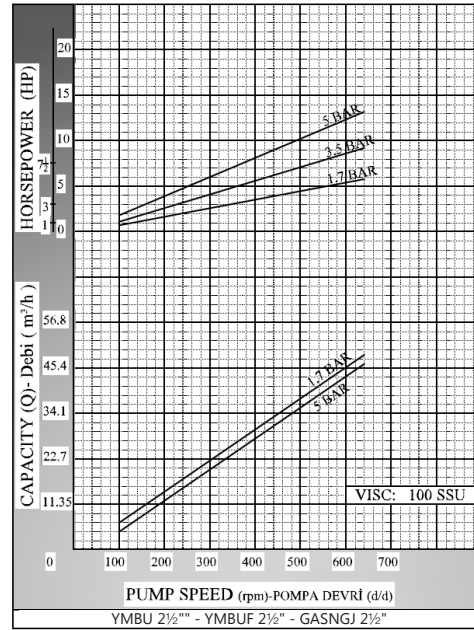
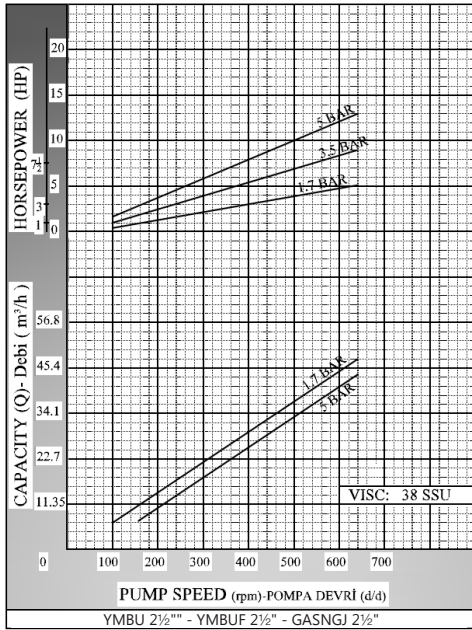
- ✓ Pump body & covers: Cast iron, steel cast, stainless AISI 304/316 cast
- ✓ Gears: Cast iron, steel cast, stainless AISI 304 / 316 cast, Spheroidal cast iron
- ✓ Bearings: Snbz 12 bronze, carbon graphite, silicon carbide, hard metal coated steel
- ✓ Sealing: Lip seal

Capacity & Power Table					
Capacity (Q)	Speed (rpm)	Pressure			Viscosity
		2 Bar	3 Bar	5 Bar	
16	200	7.5 HP	10 HP	10 HP	75000 SSU
22	280	7.5 HP	10 HP	15 HP	25000 SSU
27	350	7.5 HP	10 HP	15 HP	7500 SSU
32	400	7.5 HP	10 HP	15 HP	2500 SSU





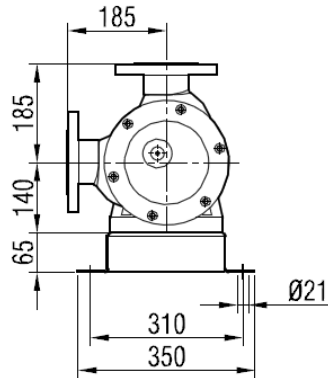
## Performance Curves:



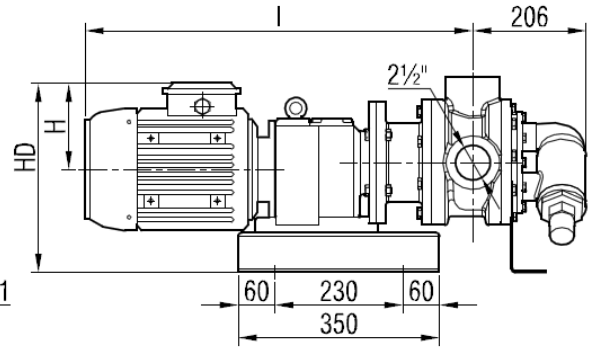
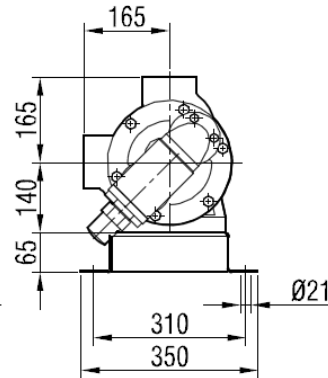


## Pump Dimensions:

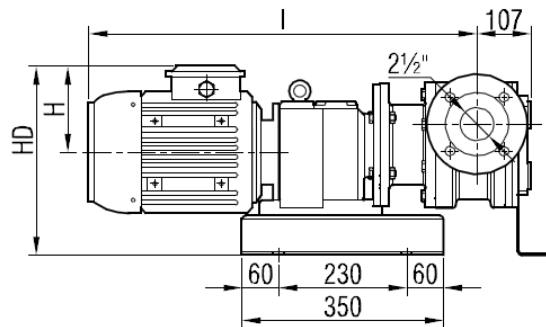
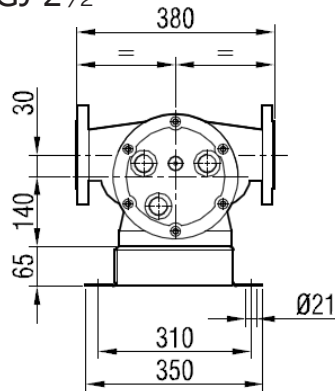
### YMBUF 2½"



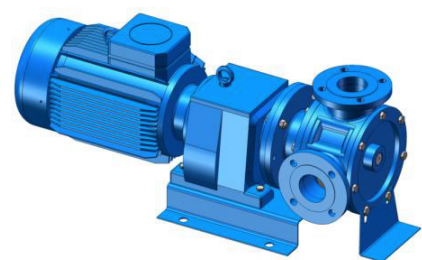
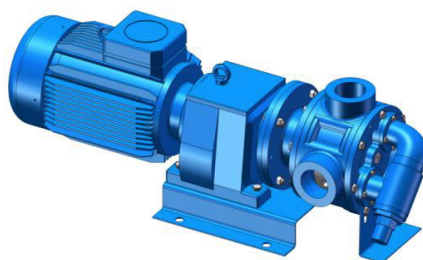
### YMBU 2½"



### GASNGJ 2½"

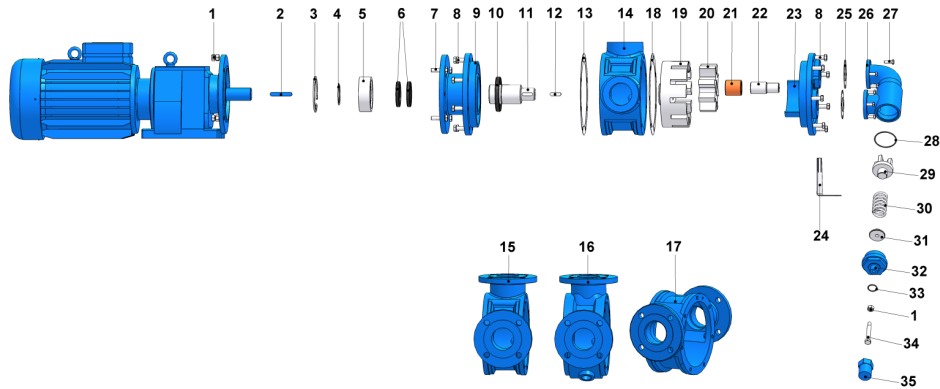


Motor Power & Speed		I	HD	H	Kg	
3-4 hp / 2.2-3 kw		701	335	141	123	131
65/450 d/d (rpm)	IRAFM62/100L					
5.5 hp / 4 kw		722	343	149	133	
87/450 d/d (rpm)	IRAFM62/112M					
7.5 hp / 5.5 kw		800	371	182	156	
70/400 d/d (rpm)	IRAFM72/132S					
10 hp / 7.5 kw		846	371	182	167	
120/400 d/d (rpm)	IRAFM72/132M					



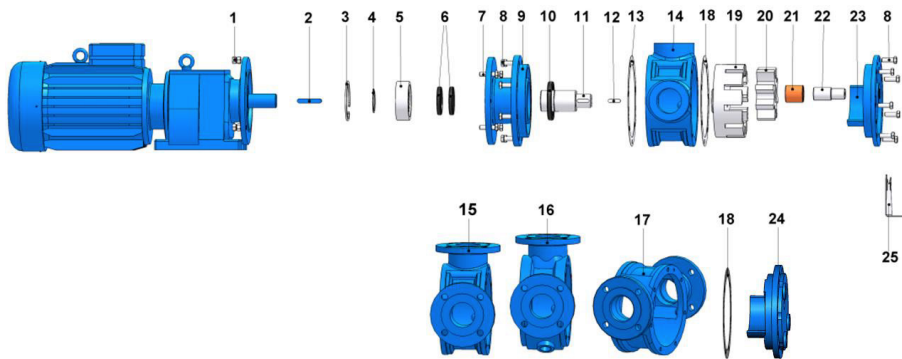


## Spare Parts List - Sealed with lip seal and pressure relief valve on cover:



No.	Part Name.	Qty.	No.	Part Name.	Qty.
1	Nut M12	4	19	Rotor Gear	1
2	Gear Motor Key 12x8x70 A	1	20	Idler Gear	1
3	Internal Circlip (ø110)	1	21	Idler Bushing	1
4	External Circlip (ø60)	1	22	Cover Pin	1
5	Ball Bearing (3212-2RS)	1	23	Cover (w/ Bypass Inlets)	1
6	Lip Seal ø60xø80x10	2	24	Pump Support	1
7	Screw M12x45	4	25	Bypass Gasket	2
8	Screw M12x35	14	26	Pressure Relief Valve	1
9	Mounting Flange	1	27	Screw M8x25	8
10	Lip Seal ø70xø110x13	1	28	Bypass O-Ring	1
11	Shaft	1	29	Valve	1
12	Rotor Key 10x8x35 A	1	30	Spring	1
13	Casing Gasket	1	31	Washer	1
14	Casing (w/ 90° Threaded Ports)	1	32	Bypass Cover	1
15	Casing (w/ 90° Flanged Ports)	1	33	Cap O-Ring	1
16	Casing (90° Flanged Ports & w/ Heating Jacket)	1	34	Adjusting Screw M12x80	1
17	Casing (180° Flanged Ports)	1	35	Cap	1
18	Cover Gasket	1			

## Spare Parts List - Sealed with lip seal, jacketed, and with blind cover:



No.	Part Name.	Qty.	No.	Part Name.	Qty.
1	Nut M12	4	14	Casing (w/ 90° Threaded Ports)	1
2	Gear Motor Key 12x8x70 A	1	15	Casing (w/ 90° Flanged Ports)	1
3	Internal Circlip (ø110)	1	16	Casing (90° Flanged Ports & w/ Heating Jacket)	1
4	External Circlip (ø60)	1	17	Casing (180° Flanged Ports)	1
5	Ball Bearing (3212-2RS)	1	18	Cover Gasket	2
6	Lip Seal ø60xø80x10	2	19	Rotor Gear	1
7	Screw M12x45	4	20	Idler Gear	1
8	Screw M12x35 For Blind Cover	15	21	Idler Bushing	1
	Screw M12x40 For Cover (w/ Heating Jacket)	7	22	Cover Pin	1
9	Mounting Flange	1	23	Blind Cover	1
10	Lip Seal ø70xø110x13	1	24	Cover (w/ Heating Jacket)	1
11	Shaft	1	25	Pump Support	1
12	Rotor Key 10x8x35 A	1			
13	Casing Gasket	1			