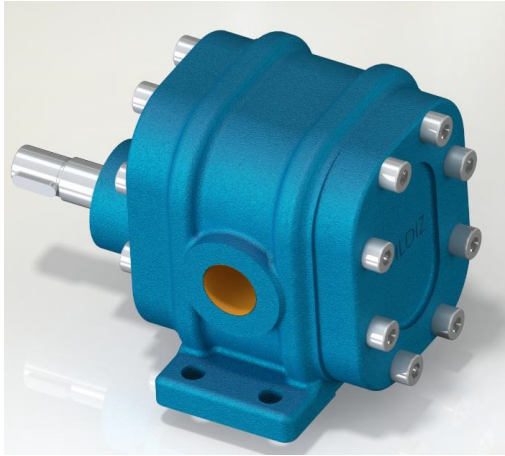




YMD 3/4" High Pressure Modular Gear Pump



Performance:

Flowrate	1.4 m ³ /h
Pressure	1 - 30 bar
Temperature	0 - 100 °C
Speed	1 - 1500 d/d
Viscosity	100 - 2500 SSU

Technical Features:

- ✓ High pressure modular gear pump
- ✓ 3/4" threaded ports
- ✓ Designed for applications that require low flow and high pressures
- ✓ Compact design
- ✓ Reliable construction
- ✓ Various sealing options
- ✓ Various material options
- ✓ 230v, three phase 50/60hz motors available
- ✓ Manufactured according to CE regulations

Applications:

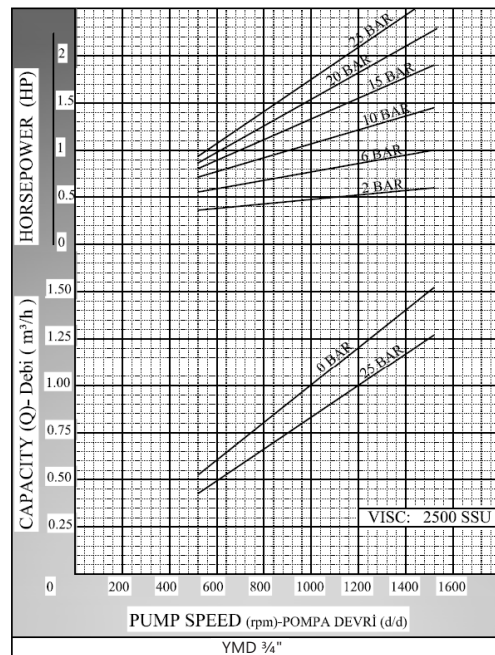
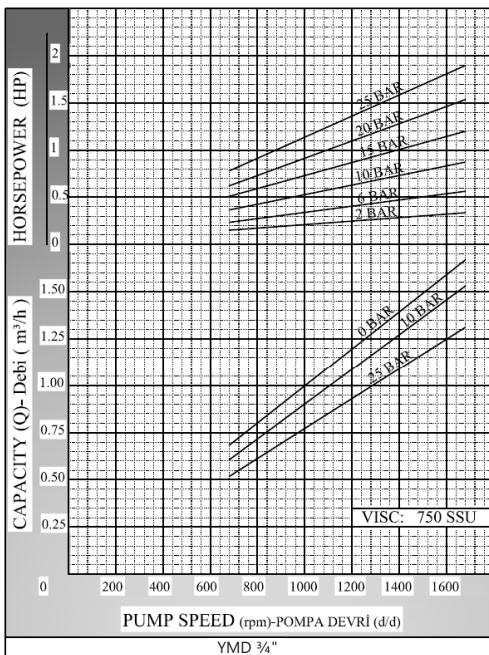
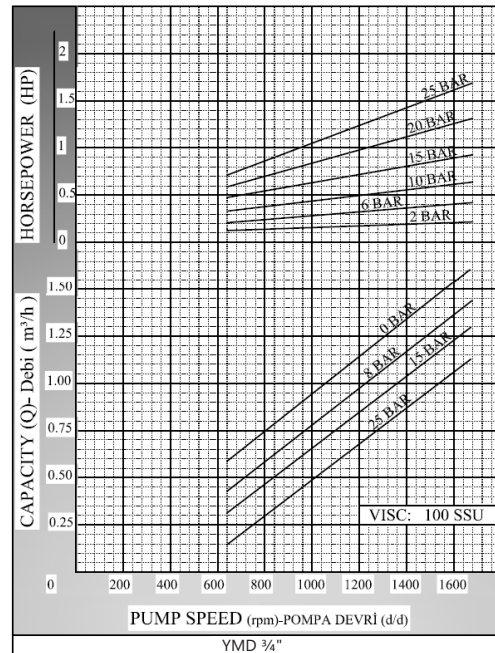
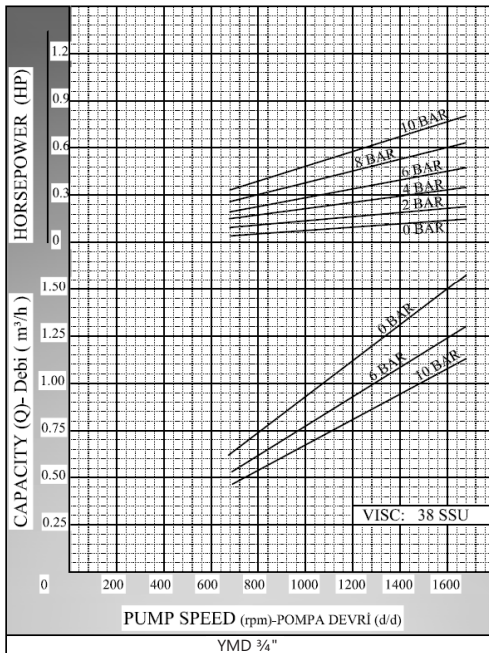
- ✓ Fuel oil, diesel fuel and gas oil transfer
- ✓ Small scale thermal oil applications including Marlotherm, Duratherm, Paratherm, Multitherm, Mobiltherm and Dowtherm
- ✓ Lubrication applications
- ✓ Coolant transfer
- ✓ Any transfer of low to medium viscosity fluids with lubricating properties
- ✓ Not suitable for fluids containing abrasive particles

Material Options:

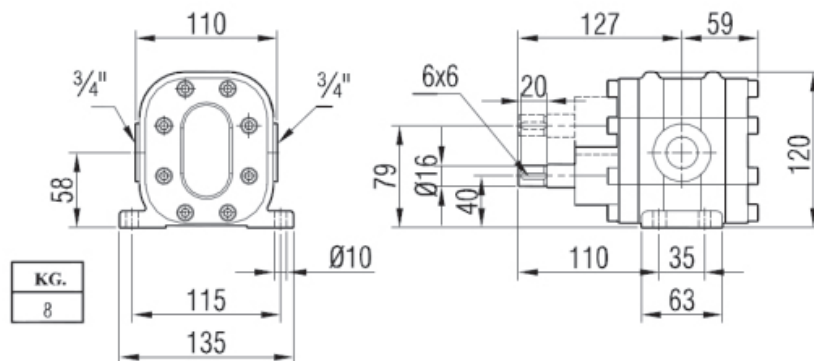
- ✓ Pump body & covers: Cast iron, steel cast, stainless AISI 304/316 cast
- ✓ Gears: Steel, stainless steel AISI 304 / 316
- ✓ Bearings: Snbz 12 bronze, bearing, carbon graphite, Ina bushing bearing
- ✓ Sealing: Soft seal, mechanical seal, lip seal



Performance Curves:

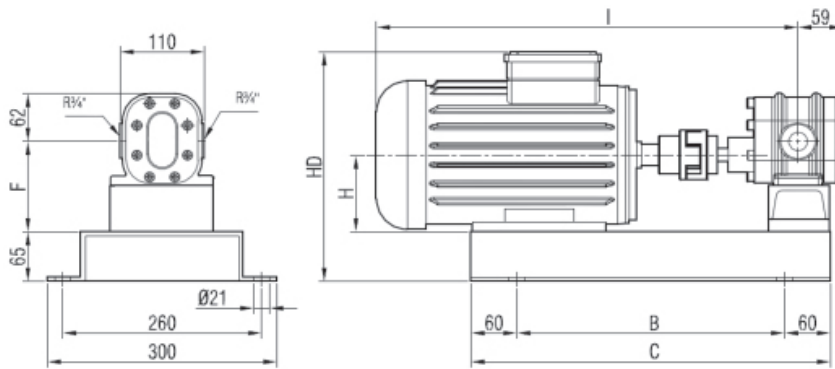


Pump Dimensions:



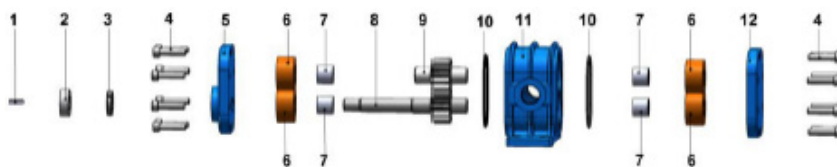


Coupling Dimensions:



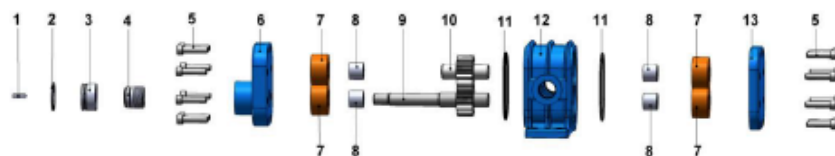
Motor Power & Speed			I	HD	H	B	C	D	E	F	G	Kg	
0.5 hp / 0.37 kw	900 d/d (rpm)	MOTOR 80	423	266	80	300				98		27	
0.75-1 hp / 0.55-0.75 kw	1400 d/d (rpm)											27	28
0.5 hp / 0.37 kw	750 d/d (rpm)	MOTOR 90S	452	281	90						60	31	
1 hp / 0.75 kw	900 d/d (rpm)												
1.5 hp / 1.1 kw	1400 d/d (rpm)	MOTOR 90L	504			350	470	260	300	108		33	
1 hp / 0.55 kw	750 d/d (rpm)												
1.5 hp / 1.1 kw	900 d/d (rpm)	MOTOR 100L	551	300	100							34	
2 hp / 1.5 kw	1400 d/d (rpm)												
1-1.5 hp / 0.75-1.1 kw	750 d/d (rpm)	MOTOR 100L	551	300	100							39 40	
2 hp / 1.5 kw	900 d/d (rpm)											40	
3-4 hp / 2.2-3 kw	1400 d/d (rpm)											38 42	

Spare Parts List - Lip Seal:



No.	Part Name.	Qty.
1	Coupling Key 6x6x20 A	1
2	Seal Cover	1
3	Lip Seal $\phi 18 \times \phi 32 \times 6$	2
4	Imbus Bolt M8x25	8
5	Front Cover	1
6	Bushing	4
7	Ina Bearing	4
8	Driving Shaft	1
9	Driven Shaft	1
10	Casing O-Ring	2
11	Casing	1
12	Back Cover	1

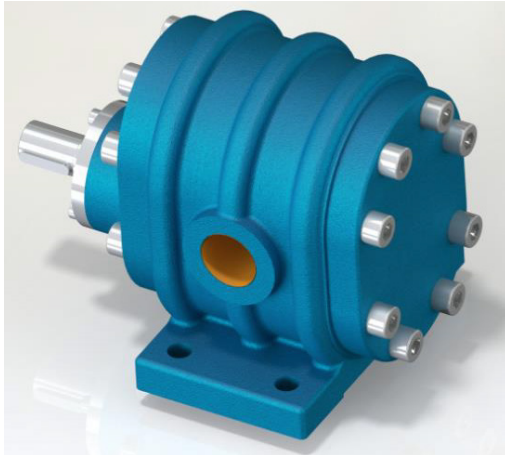
Spare Parts List - Mechanical Seal:



No.	Part Name.	Qty.
1	Coupling Key 6x6x20 A	1
2	Internal Circlip ($\phi 37$)	1
3	Mechanical Seal Sleeve	1
4	Mechanical Seal $\phi 18$	1
5	Imbus Bolt M8x25	16
6	Front Cover	1
7	Bushing	4
8	Ina Bearing	4
9	Driving Shaft	1
10	Driven Shaft	1
11	Casing O-Ring $\phi 74 \times \phi 3$	2
12	Casing	1
13	Back Cover	1



YMD 1" High Pressure Modular Gear Pump



Performance:

Flow rate	2.5 m ³ /h
Pressure	1 - 30 bar
Temperature	0 - 100 °C
Speed	1 - 1500 d/d
Viscosity	100 - 2500 SSU

Technical Features:

- ✓ High pressure modular gear pump
- ✓ 1" threaded ports
- ✓ Designed for applications that require low flow and high pressures
- ✓ Compact design
- ✓ Reliable construction
- ✓ Various sealing options
- ✓ Various material options
- ✓ Available with jacketed cover
- ✓ 230v, three phase 50/60hz motors available
- ✓ Manufactured according to CE regulations

Applications:

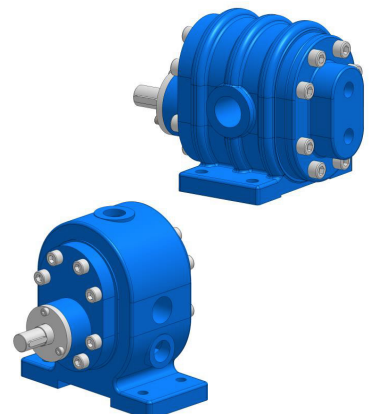
- ✓ Fuel oil, diesel fuel and gas oil transfer
- ✓ Small scale thermal oil applications including Marlotherm, Duratherm, Paratherm, Multitherm, Mobiltherm and Dowtherm
- ✓ Lubrication applications
- ✓ Coolant transfer
- ✓ Any transfer of low to medium viscosity fluids with lubricating properties
- ✓ Not suitable for fluids containing abrasive particles

Material Options:

- ✓ Pump body & covers: Cast iron, steel cast, stainless AISI 304/316 cast
- ✓ Gears: Steel, stainless steel AISI 304 / 316
- ✓ Bearings: Snbz 12 bronze, bearing, carbon graphite, Ina bushing bearing
- ✓ Sealing: Soft seal, mechanical seal, lip seal

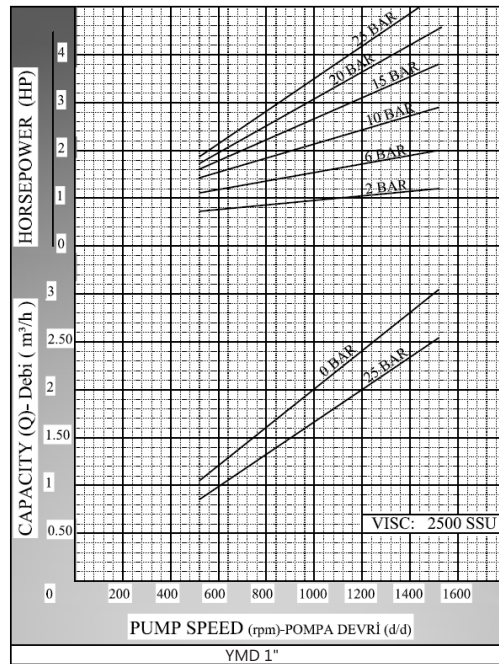
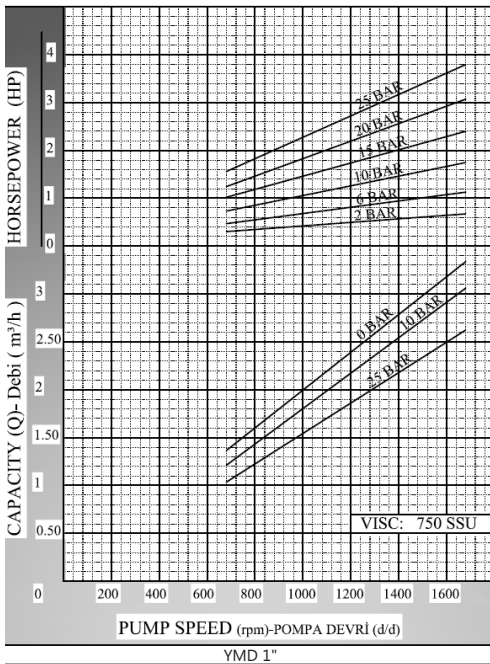
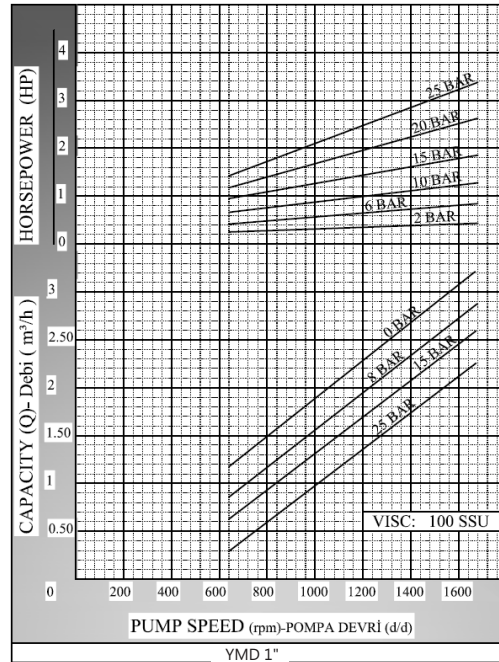
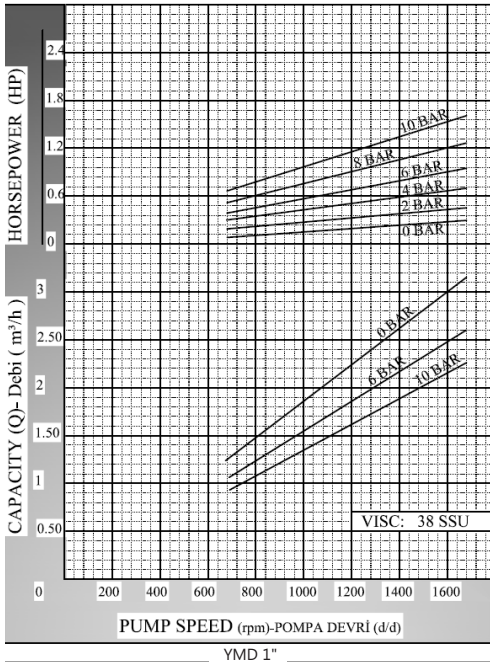
Capacity & Power Table					
Capacity (Q)	Speed (rpm)	Pressure			Viscosity
		0 Bar	3.5 Bar	7 Bar	
1.3	750	1 HP	1.5 HP	2 HP	2500 SSU
1.6	900	0.75 HP	1 HP	1.5 HP	750 SSU
2.2	1400	0.75 HP	1 HP	1.5 HP	100 SSU

Motor Powers		Motor Powers		Motor Powers		Motor Powers	
0.75 HP	900 d/d (rpm)	1 HP	900 d/d (rpm)	1 HP	900 d/d (rpm)	2 HP	750 d/d (rpm)
0.75 HP	1400 d/d (rpm)	1.5 HP	900 d/d (rpm)	1.5 HP	900 d/d (rpm)	Motor Body	
1 HP	1400 d/d (rpm)	1.5 HP	1400 d/d (rpm)	Motor Body		112	
Motor Body		Motor Body		100			
80		90					

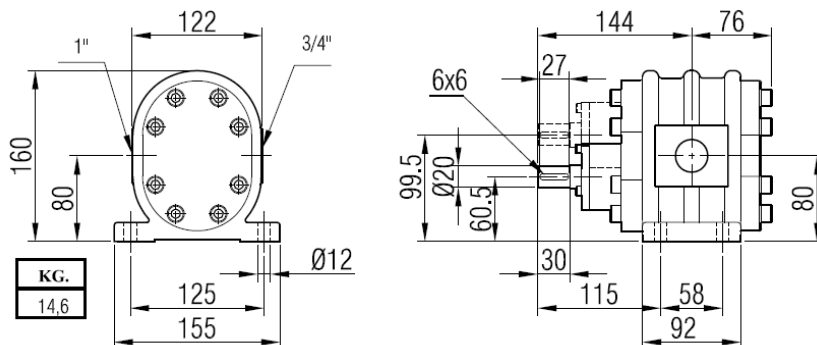




Performance Curves:

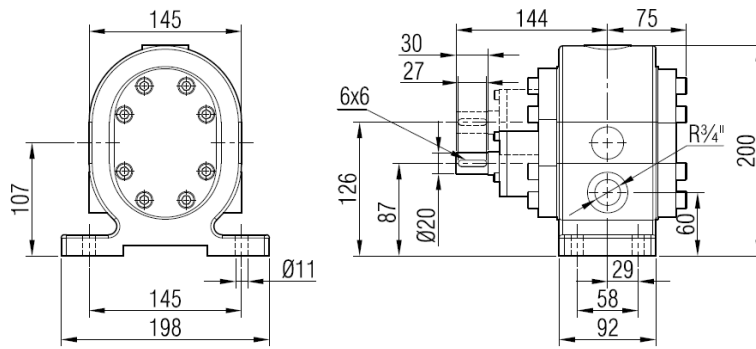


Pump Dimensions:

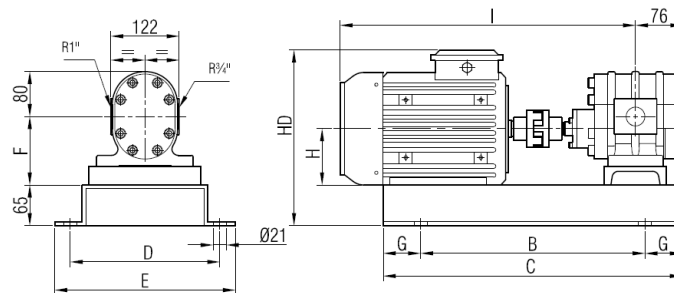




With jacketed casing:

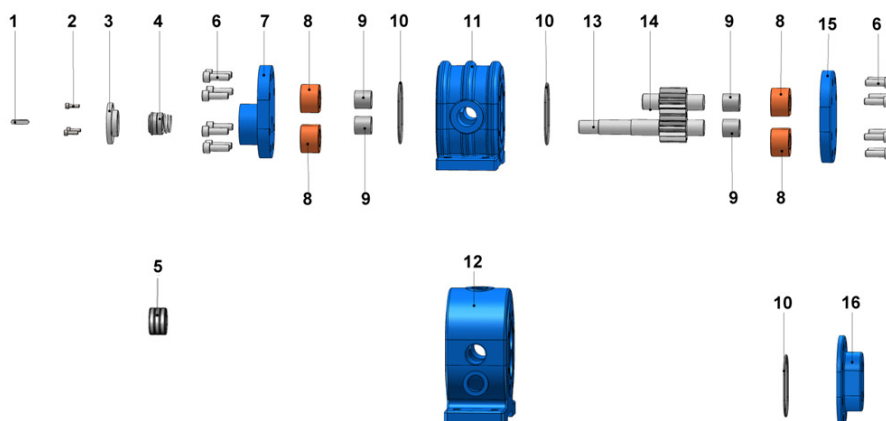


Coupling Dimensions:



Motor Power & Speed		I	HD	H	B	C	D	E	F	G	Kg	
1.5 hp / 1.1 kw	1400 d/d (rpm)	MOTOR 90S	472	281	90	380	500	260	300	109	60	38
1.5 hp / 1.1 kw	900 d/d (rpm)	MOTOR 90L	524									40
2 hp / 1.5 kw	1400 d/d (rpm)	MOTOR 100L	570	300	100	430	550			119		47
2 hp / 1.5 kw	900 d/d (rpm)											45
3 - 4 hp / 2.2 - 3 kw	1400 d/d (rpm)											
2 hp / 1.5 kw	750 d/d (rpm)	MOTOR 112M	585	323	112							62
3 hp / 2.2 kw	900 d/d (rpm)											72
5.5 hp / 4 kw	1400 d/d (rpm)	MOTOR 132S	626		420	620	310	350	151	100		73
3 hp / 2.2 kw	750 d/d (rpm)											77
4 hp / 3 kw	900 d/d (rpm)	MOTOR 132M	671	365	132							80
7.5 hp / 5.5 kw	1400 d/d (rpm)											84
4 hp / 3 kw	750 d/d (rpm)											87
5.5 hp / 4 kw	900 d/d (rpm)											
10 hp / 7.5 kw	1400 d/d (rpm)											

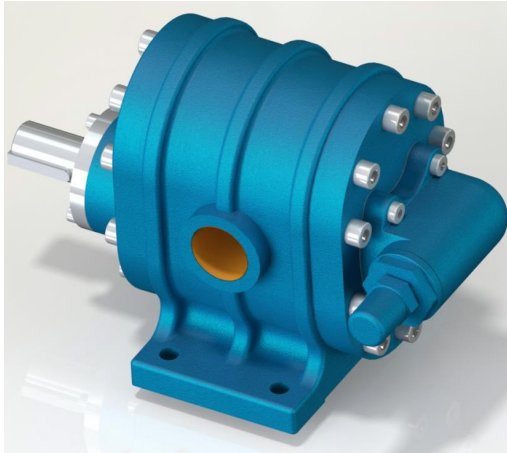
Spare Parts List - Lip Seal:



No.	Part Name.	Qty.
1	Coupling Key 6x6x27 A	1
2	Hex Socket M5x16	3
3	Seal Cover	1
4	Mechanical Seal Ø22	1
5	Lip Seal ø22xø40x8	3
6	Hex Socket M10x30	16
7	Front Cover	1
8	Bushing	4
9	Inna Bushing	4
10	Casing O-Ring Ø75xØ3	2
11	Casing	1
12	Jacketed Casing	1
13	Driving Shaft	1
14	Driven Shaft	1
15	Back Cover	1
16	Cover (w/ Heating Jacket)	1



YMD 1½" High Pressure Modular Gear Pump



Performance:

Flow rate	7.7 m³/h
Pressure	1 - 30 bar
Temperature	0 - 100 °C
Speed	1 - 1500 d/d
Viscosity	100 - 2500 SSU

Technical Features:

- ✓ High pressure modular gear pump
- ✓ 1½" threaded ports
- ✓ Designed for applications that require low flow and high pressures
- ✓ Compact design
- ✓ Reliable construction
- ✓ Various sealing options
- ✓ Various material options
- ✓ Available with jacket cover and pressure relief valve
- ✓ 230v, three phase 50/60hz motors available
- ✓ Manufactured according to CE regulations

Applications:

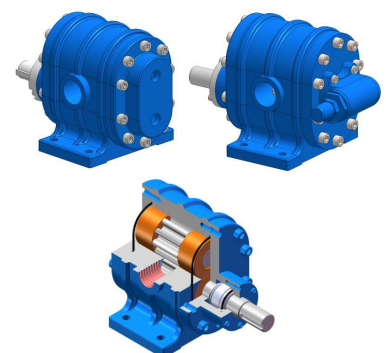
- ✓ Fuel oil, diesel fuel and gas oil transfer
- ✓ Small scale thermal oil applications including Marlotherm, Duratherm, Paratherm, Multitherm, Mobiltherm and Dowtherm
- ✓ Lubrication applications
- ✓ Coolant transfer
- ✓ Any transfer of low to medium viscosity fluids with lubricating properties
- ✓ Not suitable for fluids containing abrasive particles

Material Options:

- ✓ Pump body & covers: Cast iron, steel cast, stainless AISI 304/316 cast
- ✓ Gears: Steel, stainless steel AISI 304 / 316
- ✓ Bearings: Snbz 12 bronze, bearing, carbon graphite, Ina bushing bearing
- ✓ Sealing: Soft seal, mechanical seal, lip seal

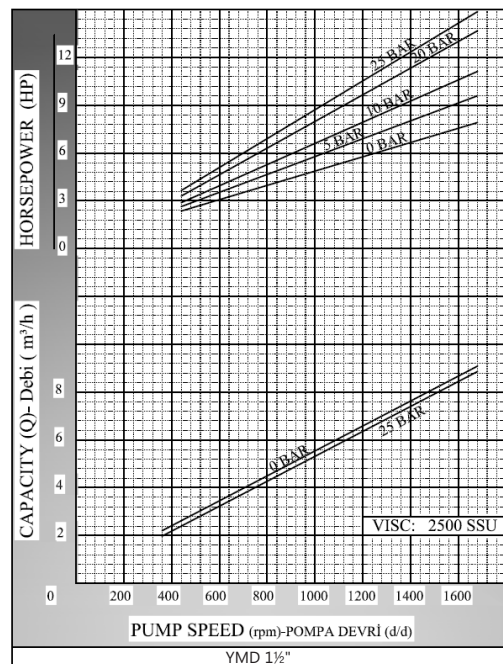
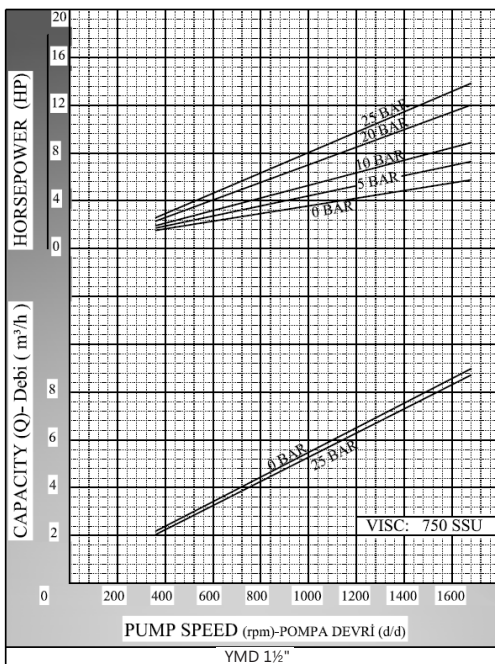
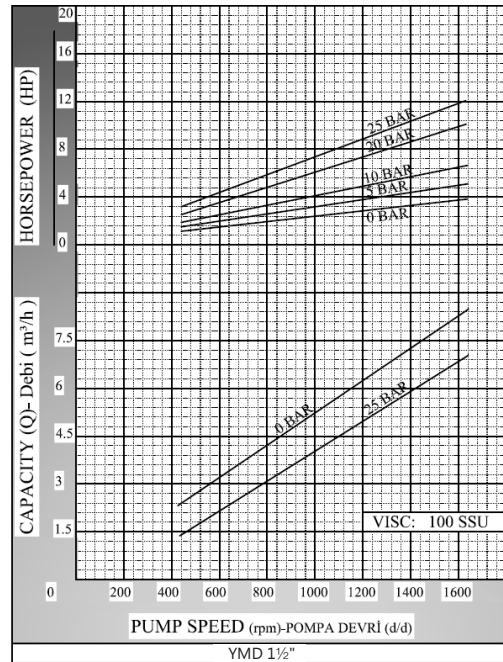
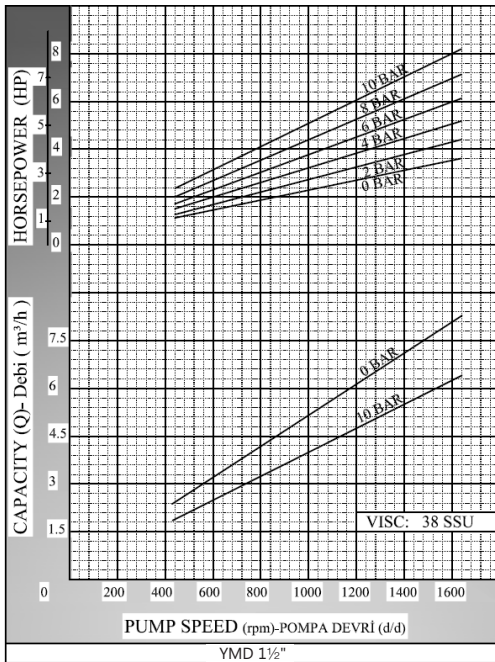
Capacity & Power Table					
Capacity (Q)	Speed (rpm)	Pressure			Viscosity
		0 Bar	3.5 Bar	7 Bar	
2.7	500	3 HP	4 HP	4 HP	2500 SSU
3.8	750	4 HP	4 HP	5.5 HP	2500 SSU
4.8	900	4 HP	4 HP	5.5 HP	750 SSU
6	1400	4 HP	5.5 HP	5.5 HP	100 SSU

Motor Powers		Motor Powers		Motor Powers		Motor Powers	
4 HP	1400 d/d (rpm)	5.5 HP	1400 d/d (rpm)	4 HP	750 d/d (rpm)	5.5 HP	750 d/d (rpm)
Motor Body		Motor Body		Motor Body		Motor Body	
100		112		5.5 HP 900 d/d (rpm)		160	
Motor Body							
				132			

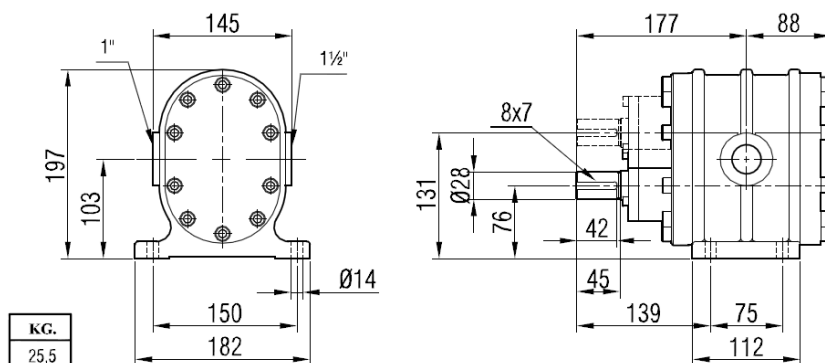




Performance Curves:



Pump Dimensions:

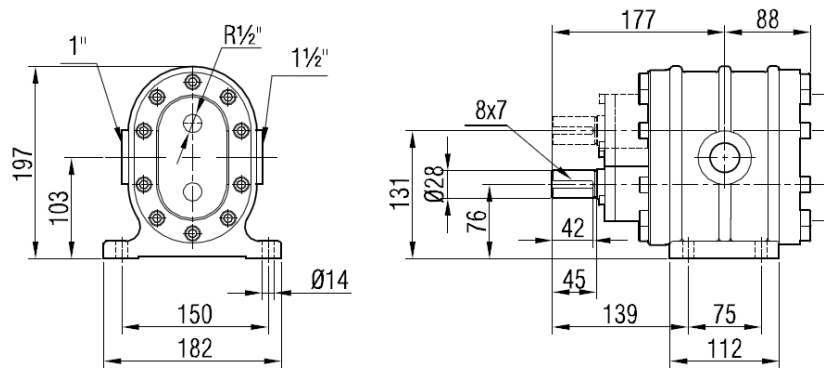


KG.
25.5

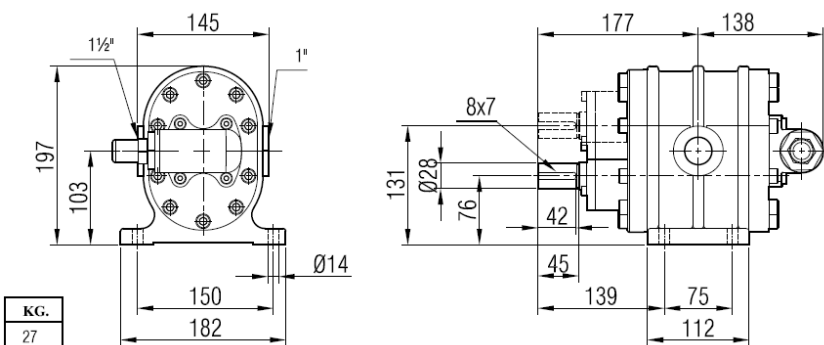
For high pressure up to 30 bar.
 Standard Inlet 1 1/4" – Outlet 1"
 Optional Inlet 1 1/2" – Outlet 1"
 For low pressure up to 10 bar.
 Standard Inlet 1 1/4" – Outlet 1 1/4"
 Optional Inlet 1 1/2" – Outlet 1 1/2"



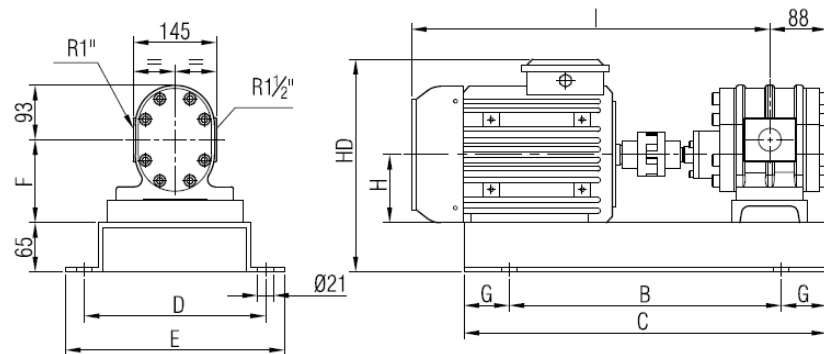
With jacketed cover:



Pressure relief valve on cover:



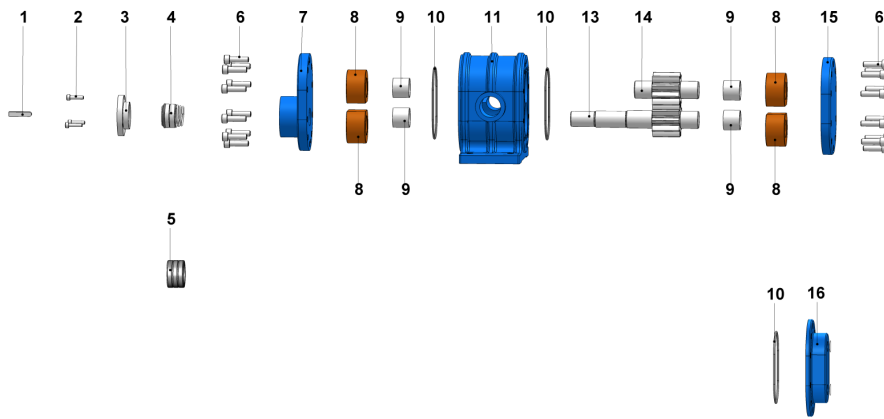
Coupling Dimensions:



Motor Power & Speed			I	HD	H	B	C	D	E	F	G	Kg
2 hp / 1.5 kw	1400 d/d (rpm)	MOTOR 90L	554	281	90	430	550	260	300	117	60	53
2 hp / 1.5 kw	900 d/d (rpm)	MOTOR 100L	604	300	100	420	620	310	350	128	100	65
3 - 4 hp / 2.2 - 3 kw	1400 d/d (rpm)											63
2 hp / 1.5 kw	750 d/d (rpm)	MOTOR 112M	619	323	112	420	620	310	350	140	100	73
3 hp / 2.2 kw	900 d/d (rpm)											74
5.5 hp / 4 kw	1400 d/d (rpm)	MOTOR 132S	658	365	132	500	700	310	350	159	100	82
3 hp / 2.2 kw	750 d/d (rpm)											83
4 hp / 3 kw	900 d/d (rpm)	MOTOR 132M	704	365	132	500	700	310	350	159	100	87
7.5 hp / 5.5 kw	1400 d/d (rpm)											90
4 hp / 3 kw	750 d/d (rpm)	MOTOR 160M	804	450	160	580	780	380	420	187	100	94
5.5 hp / 4 kw	900 d/d (rpm)											97
10 hp / 7.5 kw	1400 d/d (rpm)	MOTOR 160M	804	450	160	580	780	380	420	187	100	128
5.5 hp / 4 kw	750 d/d (rpm)											139
10 hp / 7.5 kw	900 d/d (rpm)	MOTOR 160M	804	450	160	580	780	380	420	187	100	145
15 hp / 11 kw	1400 d/d (rpm)											145

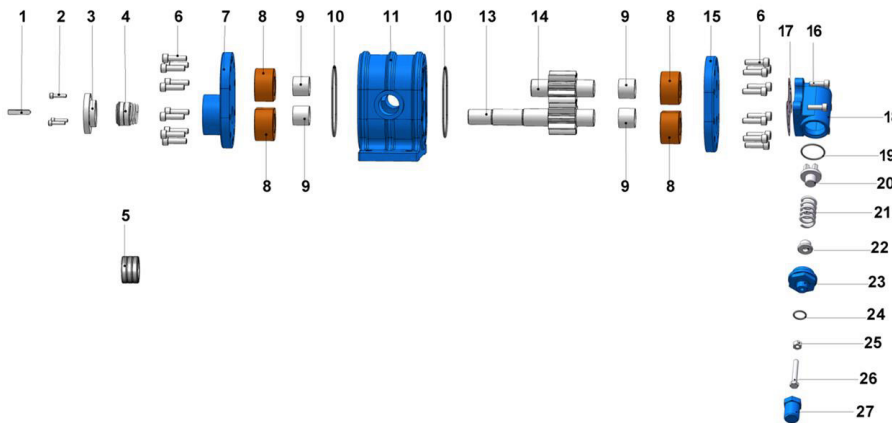


Spare Parts List - Lip Seal & Mechanical Seal:



No.	Part Name.	Qty.
1	Coupling Key 8x7x42AB	1
2	Imbus Bolt M6x25	3
3	Seal Cover	1
4	Mechanical Seal Ø30	1
5	Lip Seal ø30xø50x10	3
6	Imbus Bolt M10x35	20
7	Front Cover	1
8	Bushing	4
9	Ina Burc	4
10	Casing O-Ring ø108xø3	2
11	Casing	1
13	Driving Shaft	1
14	Driven Shaft	1
15	Back Cover	1
16	Cover (w/ Heating Jacket)	1

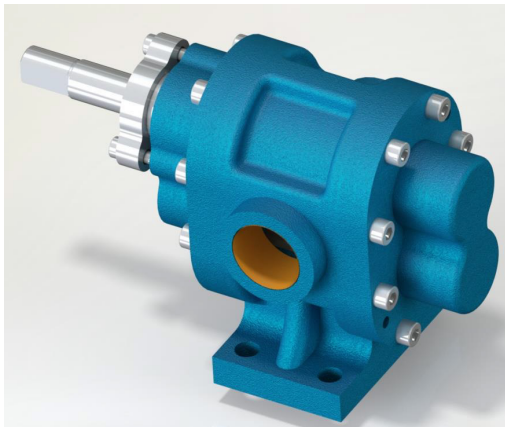
Spare Parts List - Lip Seal & Mechanical Seal:



No.	Part Name.	Qty.
1	Coupling Key 8x7x42AB	1
2	Imbus Bolt M6x25	3
3	Seal Cover	1
4	Mechanical Seal Ø30	1
5	Lip Seal ø30xø50x10	3
6	Imbus Bolt M10x35	20
7	Front Cover	1
8	Bushing	4
9	Ina Burc	4
10	Casing O-Ring ø108xø3	2
11	Casing	1
13	Driving Shaft	1
14	Driven Shaft	1
15	Back Cover	1
16	Inbus Bolt M8x25 For Cover	4
17	Bypass gasket	1
18	Pressure Relief Valve - Bypass	1
19	Bypass O-Ring	1
20	Valve	1
21	Spring	1
22	Washer	1
23	Bypass Cover	1
24	Cap O-Ring	1
25	Nut M8	1
26	Adjusting Screw M8x55	1
27	Cap	1



YMDY 1 - Modular Gear Pump



Performance:

Flow rate	3 m ³ /h
Pressure	1 - 12 bar
Temperature	0 - 70 °C
Speed	1 - 1500 d/d
Viscosity	100 - 2500 SSU

Technical Features:

- ✓ Modular gear pump
- ✓ 1" threaded ports
- ✓ Designed for applications that require low flow
- ✓ Compact design
- ✓ Reliable construction
- ✓ Various sealing options
- ✓ Various material options
- ✓ Motor drive and gearbox drive versions available
- ✓ 230v, three phase 50/60hz motors available
- ✓ Manufactured according to CE regulations

Applications:

- ✓ Fuel oil, diesel fuel and gas oil transfer
- ✓ Small scale thermal oil applications including Marlotherm, Duratherm, Paratherm, Multitherm, Mobiltherm and Dowtherm
- ✓ Lubrication applications
- ✓ Coolant transfer
- ✓ Any transfer of low to medium viscosity fluids with lubricating properties
- ✓ Not suitable for fluids containing abrasive particles

Material Options:

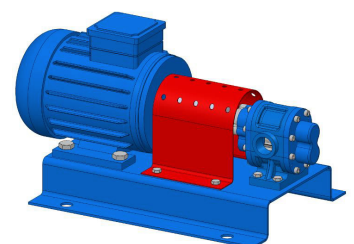
- ✓ Pump body & covers: Cast iron, steel cast, stainless AISI 304/316 cast
- ✓ Gears: Steel, stainless steel AISI 304 / 316
- ✓ Bearings: Snbz 12 bronze, bearing, carbon graphite, Ina bushing bearing
- ✓ Sealing: Soft seal, mechanical seal, lip seal

Capacity & Power Table					
Capacity (Q)	Speed (rpm)	Pressure			Viscosity
		0 Bar	3.5 Bar	7 Bar	
1.5	750	1 HP	1.5 HP	2 HP	2500 SSU
1.8	900	1 HP	1.5 HP	2 HP	750 SSU
2.6	1400	0.75 HP	1.5 HP	1.5 HP	100 SSU

Motor Powers	
1 HP	900 d/d (rpm)
1.5 HP	900 d/d (rpm)
1.5 HP	1400 d/d (rpm)
Motor Body	
90	

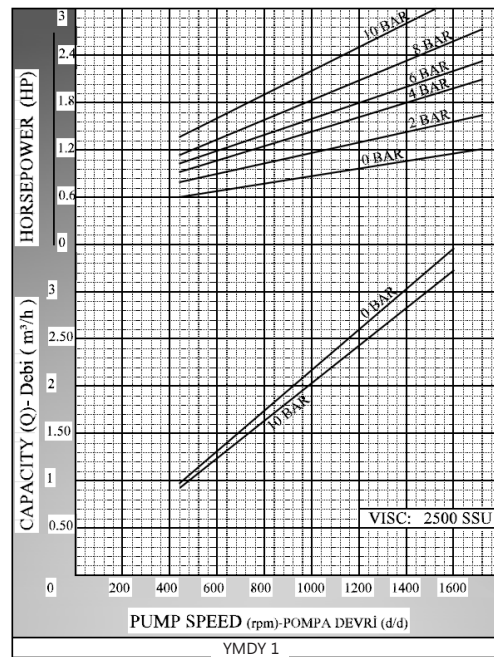
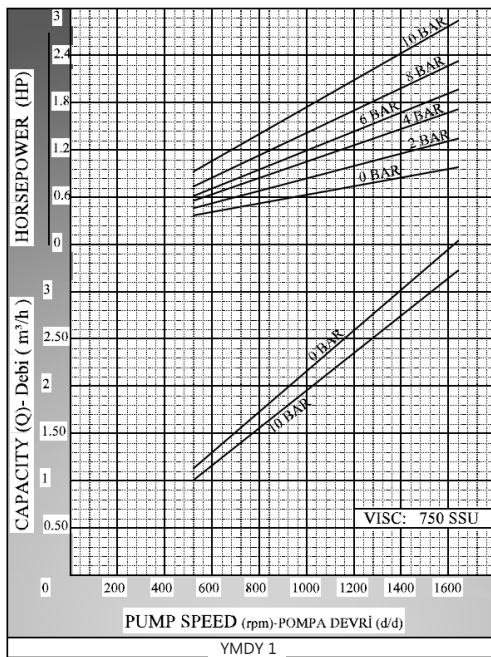
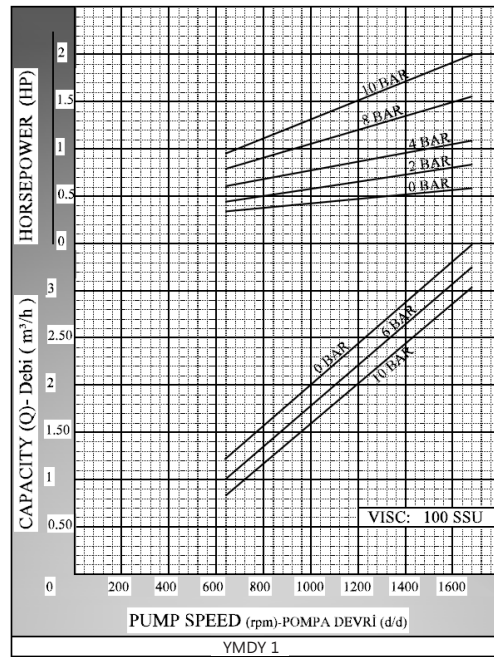
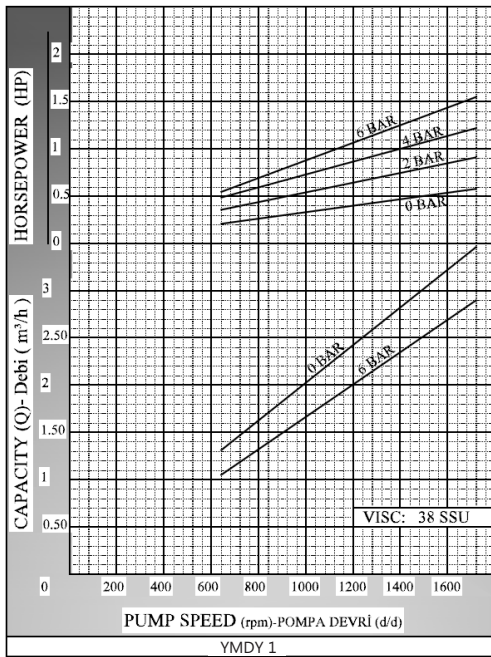
Motor Powers	
1 HP	750 d/d (rpm)
1.5 HP	750 d/d (rpm)
2 HP	900 d/d (rpm)
Motor Body	
100	

Motor Powers	
2 HP	750 d/d (rpm)
Motor Body	
112	

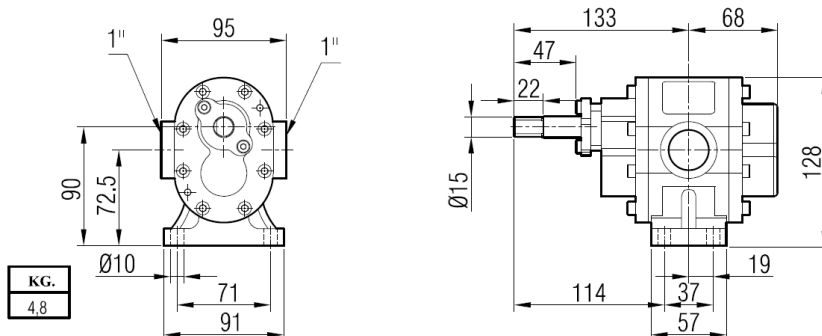




Performance Curves:

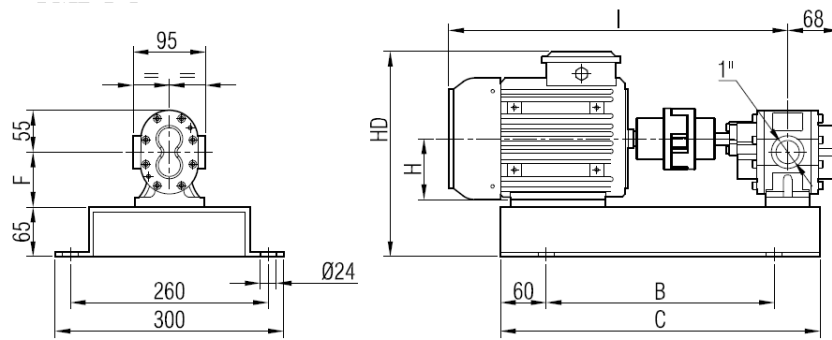


Pump Dimensions:



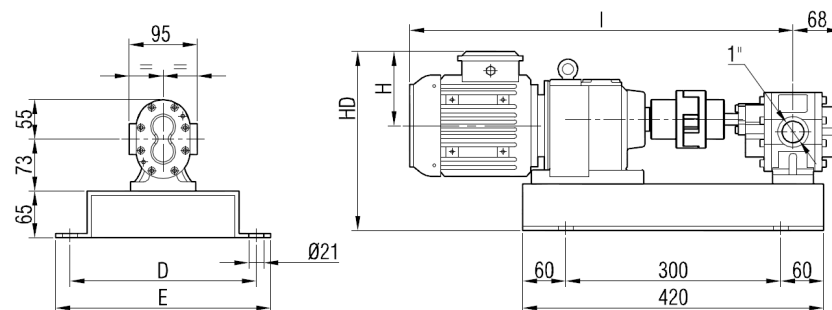


Coupling Dimensions - Motor Drive:



Motor Power & Speed			I	HD	H	B	C	F	Kg	
0.5 hp / 0.37 kw	900 d/d (rpm)	MOTOR 80	425	273	80	300	420	73	22	
0.75-1 hp / 0.55-0.75 kw	1400 d/d (rpm)									
0.5 hp / 0.37 kw	750 d/d (rpm)	MOTOR 90S	458	281	90	350	470	73	27	
1 hp / 0.75 kw	900 d/d (rpm)									
1.5 hp / 1.1 kw	1400 d/d (rpm)	MOTOR 90L	511						29	
1 hp / 0.55 kw	750 d/d (rpm)									
1.5 hp / 1.1 kw	900 d/d (rpm)	MOTOR 100L	558	300	100	380	500	83	32	34
2 hp / 1.5 kw	1400 d/d (rpm)									
1-1.5 hp / 0.75-1.1 kw	750 d/d (rpm)								32	34
2 hp / 1.5 kw	900 d/d (rpm)								34	
3-4 hp / 2.2-3 kw	1400 d/d (rpm)								32	35

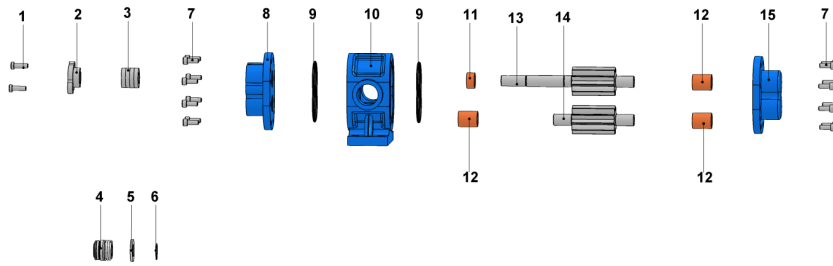
Coupling Dimensions - Gearbox Drive:



Motor Power & Speed			I	HD	H	Kg
0.75 hp / 0.55 kw	75/406 d/d (rpm)	IRAM42/80M	564	269	118	30
1 hp / 0.75 kw	40/240 d/d (rpm)	IRAM52/80M	597			37
1.5 hp / 1.1 kw	60/380 d/d (rpm)	IRAM52/90S	617	282	132	40
2 hp / 1.5 kw	100/540 d/d (rpm)	IRAM52/90L	642			42
3 hp / 2.2 kw	175/540 d/d (rpm)	IRAM52/100L	671	291	141	46
4 hp / 3 kw	345/650 d/d (rpm)	IRAM52/100L				49



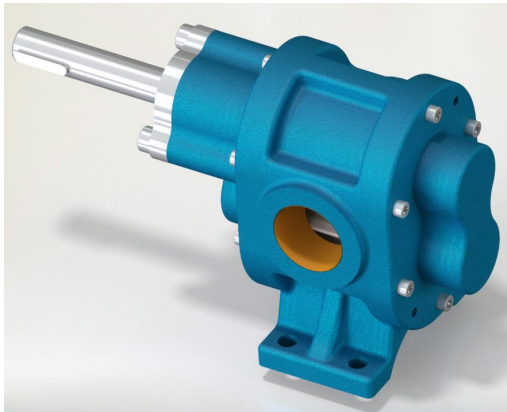
Spare Parts List - Sealed with soft seal or mechanical seal:



No.	Part Name.	Qty.
1	Imbus Bolt M6x20	2
2	Packing Press	1
3	Soft Seal / Packing Gland	4
4	Mechanical Seal (ø16)	1
5	External Circlip (ø16)	1
6	Mechanical Seal Washer	1
7	Imbus Bolt M6x15	16
8	Front Cover	1
9	Casing O-Ring ø69xø3	2
10	Casing	1
11	Bushing	1
12	Seal Bushing	3
13	Driving Shaft	1
14	Driven Shaft	1
15	Back Cover	1



YMDY 2 - Modular Gear Pump



Performance:

Flow rate	7 m ³ /h
Pressure	1 - 12 bar
Temperature	0 - 70 °C
Speed	1 - 1500 d/d
Viscosity	100 - 2500 SSU

Technical Features:

- ✓ Modular gear pump
- ✓ 2" threaded ports
- ✓ Designed for applications that require low flow
- ✓ Compact design
- ✓ Reliable construction
- ✓ Various sealing options
- ✓ Various material options
- ✓ Motor drive and gearbox drive versions available
- ✓ 230v, three phase 50/60hz motors available
- ✓ Manufactured according to CE regulations

Applications:

- ✓ Fuel oil, diesel fuel and gas oil transfer
- ✓ Small scale thermal oil applications including Marlotherm, Duratherm, Paratherm, Multitherm, Mobiltherm and Dowtherm
- ✓ Lubrication applications
- ✓ Coolant transfer
- ✓ Any transfer of low to medium viscosity fluids with lubricating properties
- ✓ Not suitable for fluids containing abrasive particles

Material Options:

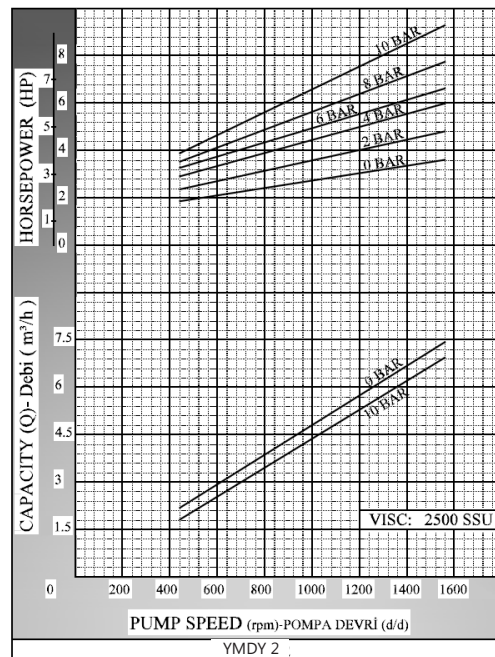
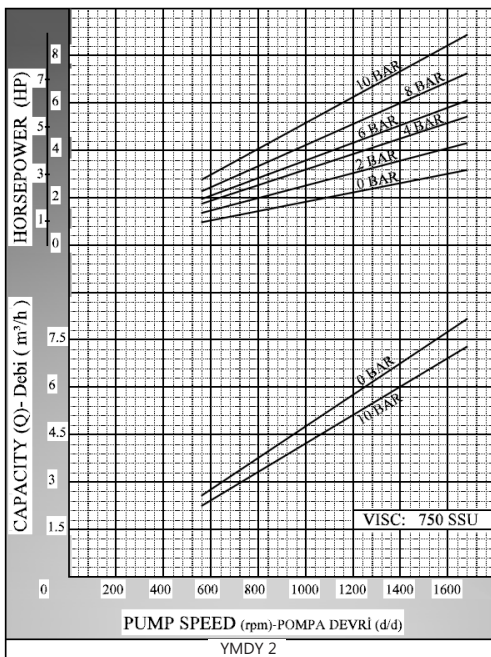
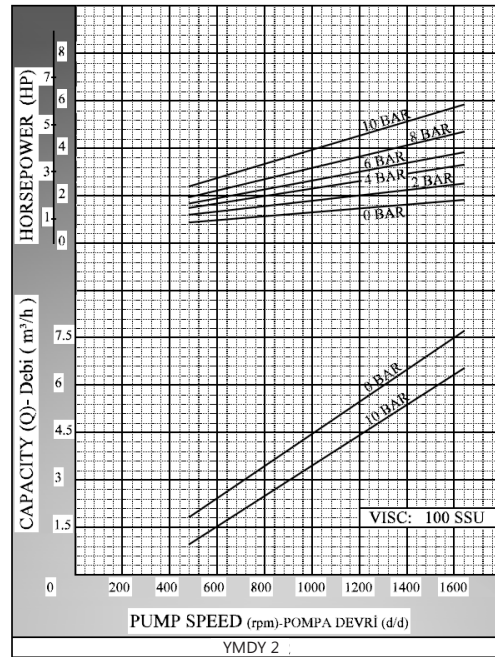
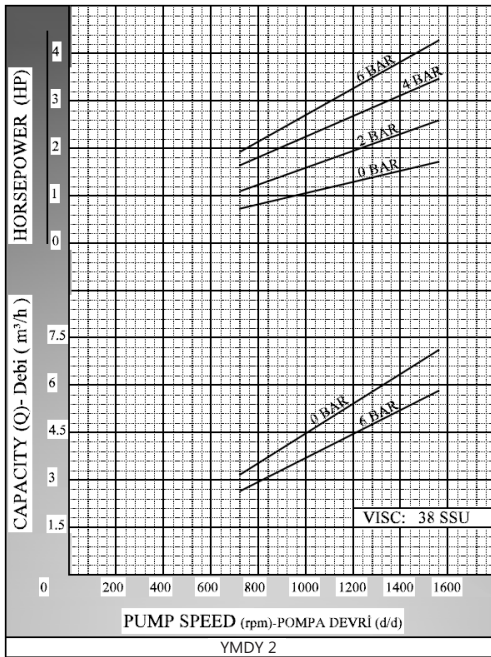
- ✓ Pump body & covers: Cast iron, steel cast, stainless AISI 304/316 cast
- ✓ Gears: Steel, stainless steel AISI 304 / 316
- ✓ Bearings: Snbz 12 bronze, bearing, carbon graphite, Ina bushing bearing
- ✓ Sealing: Soft seal, mechanical seal, lip seal

Capacity & Power Table					
Capacity (Q)	Speed (rpm)	Pressure			Viscosity
		0 Bar	3.5 Bar	7 Bar	
3.3	750	3 HP	4 HP	5.5 HP	2500 SSU
4.2	900	2 HP	3 HP	4 HP	750 SSU
5.7	1400	2 HP	3 HP	4 HP	100 SSU

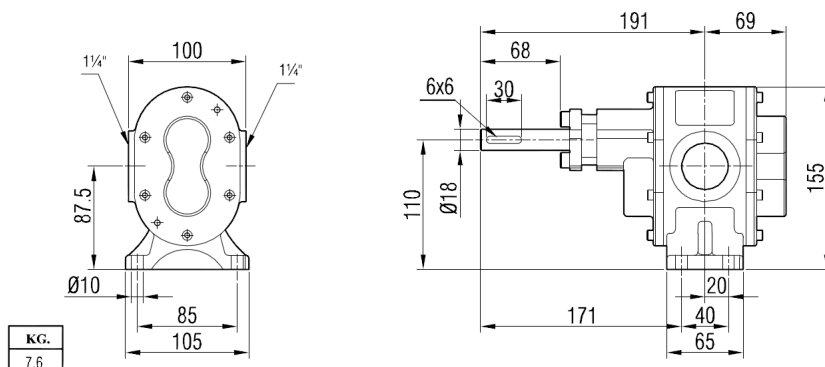
Motor Powers		Motor Powers		Motor Powers		Motor Powers	
2 HP	1400 d/d (rpm)	2 HP	1000 d/d (rpm)	3 HP	900 d/d (rpm)	3 HP	750 d/d (rpm)
Motor Body		3 HP	1400 d/d (rpm)	Motor Body		4 HP	750 d/d (rpm)
90		4 HP	1400 d/d (rpm)	112		4 HP	900 d/d (rpm)
		Motor Body				Motor Body	
		100				132	



Performance Curves:

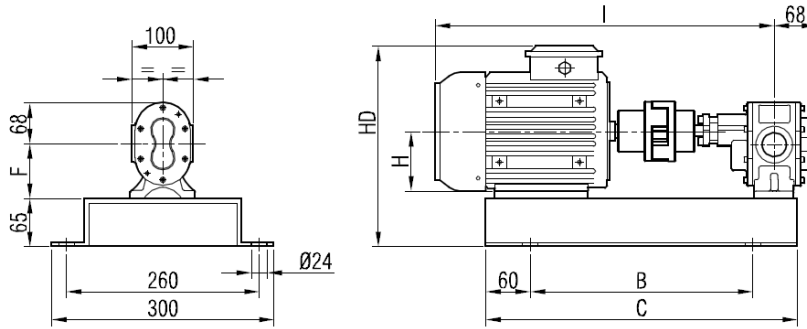


Pump Dimensions:



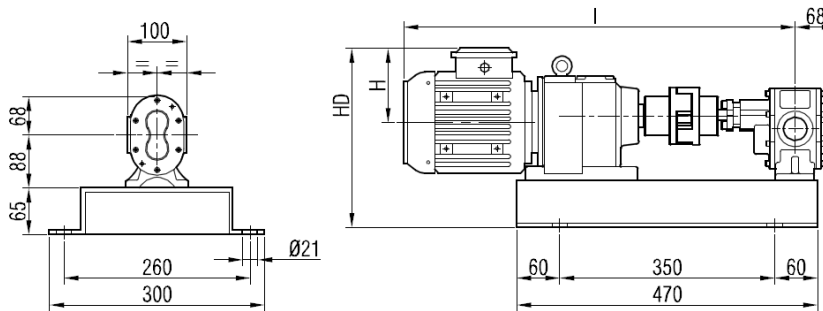


Coupling Dimensions - Motor Drive:



Motor Power & Speed			I	HD	H	B	C	D	E	F	Kg	
0.5 hp / 0.37 kw	900 d/d (rpm)	MOTOR 80	484	293	80	350	470				27	
0.75-1 hp / 0.55-0.75 kw	1400 d/d (rpm)										27	28
0.5 hp / 0.37 kw	750 d/d (rpm)	MOTOR 90S	516	301	90	380	500	260	300	88	31	
1 hp / 0.75 kw	900 d/d (rpm)										30	
1.5 hp / 1.1 kw	1400 d/d (rpm)	MOTOR 90L	568								31	
1 hp / 0.55 kw	750 d/d (rpm)										33	
1.5 hp / 1.1 kw	900 d/d (rpm)	MOTOR 100L	617	310	100	430	550				37	
2 hp / 1.5 kw	1400 d/d (rpm)										39	
1-1.5 hp / 0.75-1.1 kw	750 d/d (rpm)	MOTOR 112M	605	322	112	420	620	310	350	90	53	
2 hp / 1.5 kw	900 d/d (rpm)										54	
3-4 hp / 2.2-3 kw	1400 d/d (rpm)										40	
2 hp / 1.5 kw	750 d/d (rpm)										53	
3 hp / 2.2 kw	900 d/d (rpm)										54	
5.5 hp / 4 kw	1400 d/d (rpm)										54	

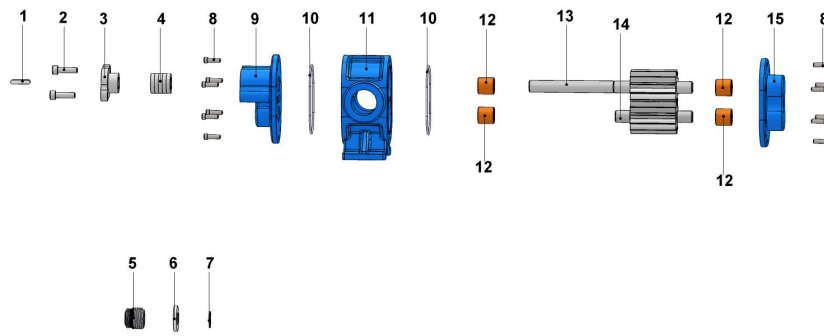
Coupling Dimensions - Gearbox Drive:



Motor Power & Speed			I	HD	H	Kg
0.75 hp / 0.55 kw	75/406 d/d (rpm)	IRAM42/80M	622	289	118	35
1 hp / 0.75 kw	40/240 d/d (rpm)	IRAM52/80M	656			41
1.5 hp / 1.1 kw	60/380 d/d (rpm)	IRAM52/90S	675	302	132	44
2 hp / 1.5 kw	100/540 d/d (rpm)	IRAM52/90L	700			46
3 hp / 2.2 kw	175/540 d/d (rpm)	IRAM52/100L	729	310	141	50
4 hp / 3 kw	345/650 d/d (rpm)	IRAM52/100L				53



Spare Parts List - Sealed with soft seal or mechanical seal:



No.	Part Name.	Qty.
1	Coupling Key 6x6x30	1
2	Imbus Bolt M8x30	2
3	Packing Press	1
4	Soft Seal / Packing Gland	5
5	Mechanical Seal (ø18)	1
6	Mechanical Seal Washer	1
7	External Circlip (ø18)	1
8	Imbus Bolt M6x20	12
9	Front Cover	1
10	Casing O-Ring ø69xø3	2
11	Casing	1
12	Bushing	4
13	Driving Shaft	1
14	Driven Shaft	1
15	Back Cover	1