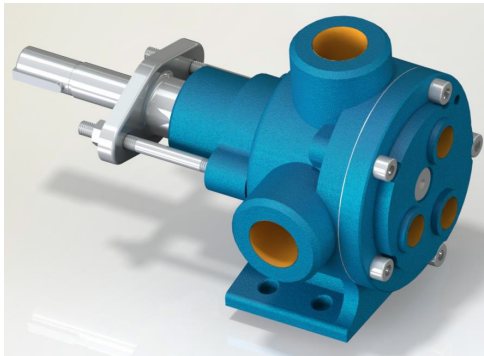




# YP 1" Internal Eccentric Gear Pump



**Performance:**

Flow rate	3 m <sup>3</sup> /h
Pressure	1 - 7 bar
Temperature	0 - 100 °C
Speed	1400 d/d
Viscosity	100 - 250000 SSU

**Technical Features:**

- ✓ Internal eccentric gear pump
- ✓ 1" threaded ports
- ✓ Compact design
- ✓ Reliable construction thanks to only two moving parts
- ✓ Various material options
- ✓ Available with external bypass, jacketed and blind cover
- ✓ 230v, three phase 50/60hz motors available
- ✓ Motor and gearbox drive available
- ✓ Manufactured according to CE regulations

**Applications:**

- ✓ Fuel oil, diesel fuel and gas oil transfer
- ✓ Small scale thermal oil applications including Marlotherm, Duratherm, Paratherm, Multitherm, Mobiltherm and Dowtherm
- ✓ Lubrication applications
- ✓ Coolant transfer
- ✓ Any transfer of low to medium viscosity fluids with lubricating properties
- ✓ Not suitable for fluids containing abrasive particles

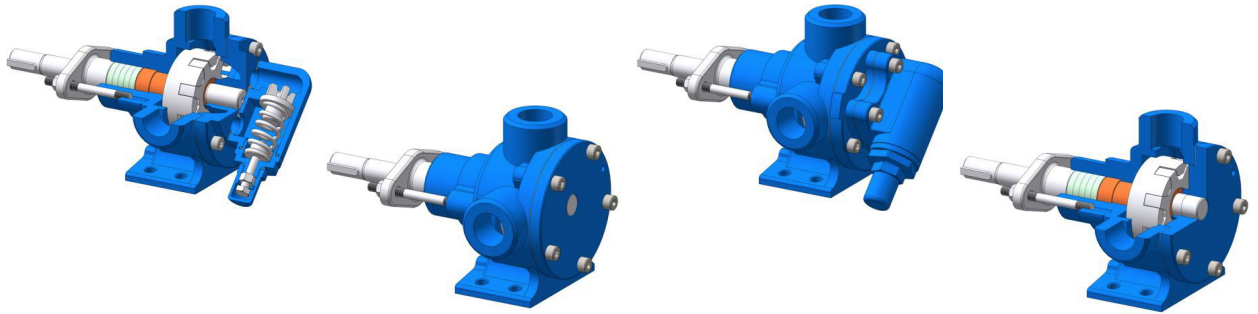
**Material Options:**

- ✓ Pump body, covers: Cast iron, steel cast, stainless AISI 304/316 cast
- ✓ Gears: Cast iron, steel cast, stainless AISI 304/316 cast, Spheroidal cast iron
- ✓ Bearings: Snbz 12 bronze, carbon graphite, silicon carbide, hard metal coated steel
- ✓ Sealing: Lip seal

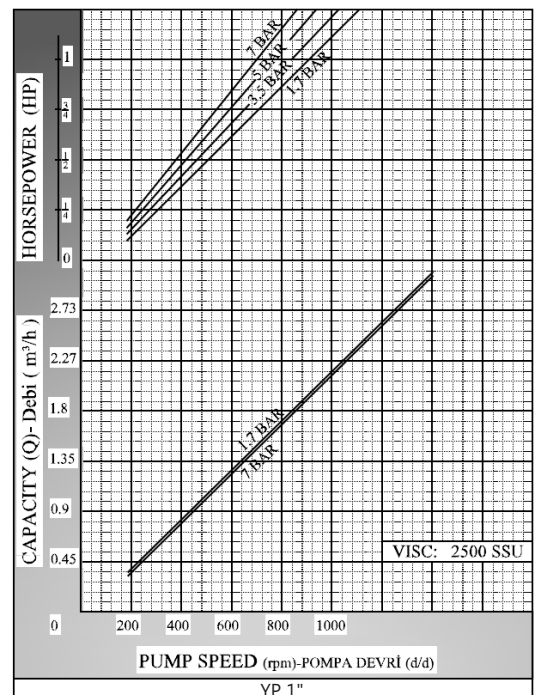
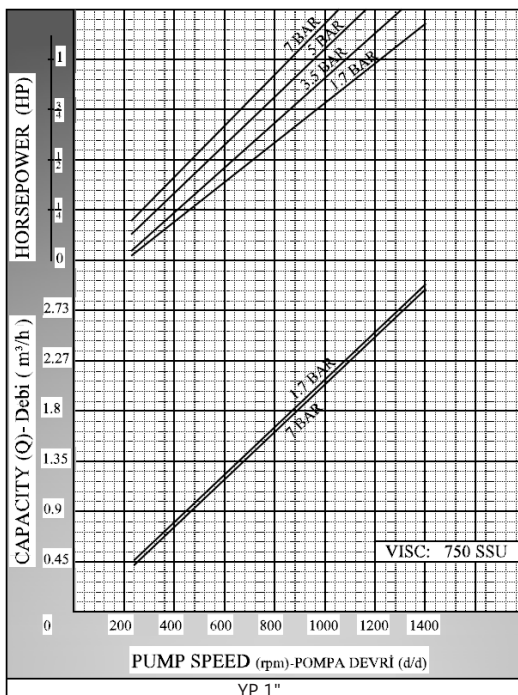
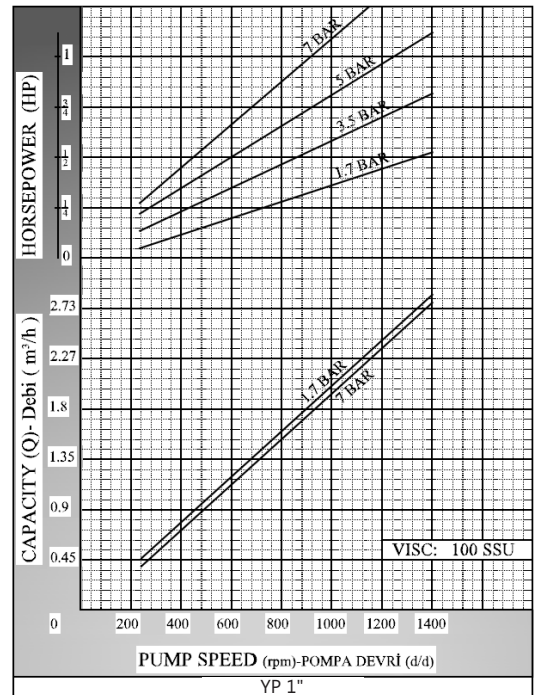
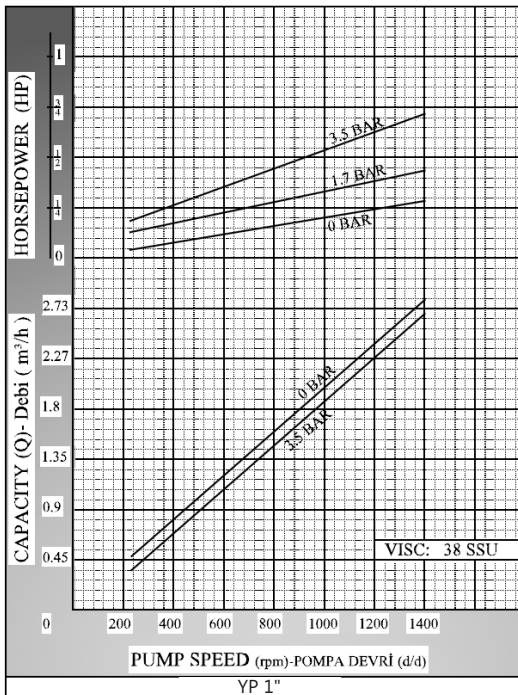
Capacity & Power Table					
Capacity (Q)	Speed (rpm)	Pressure			Viscosity
		2 Bar	5 Bar	7 Bar	
1.8	900	1 HP	1 HP	1.5 HP	750 SSU
3	1400	1 HP	1.5 HP	2 HP	100 SSU

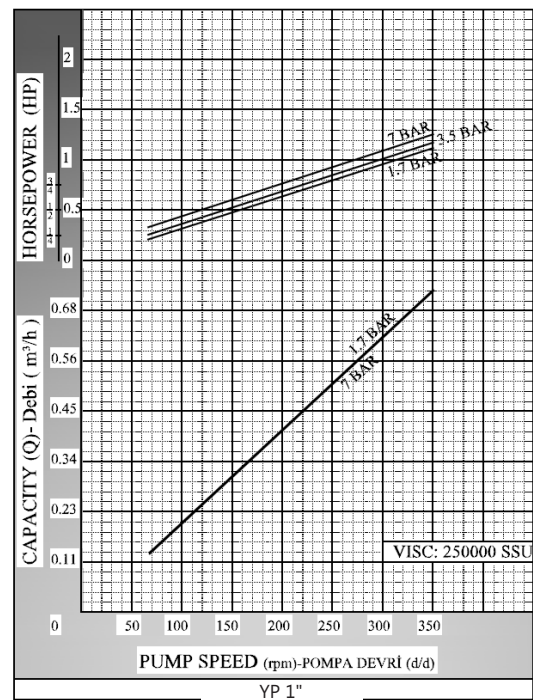
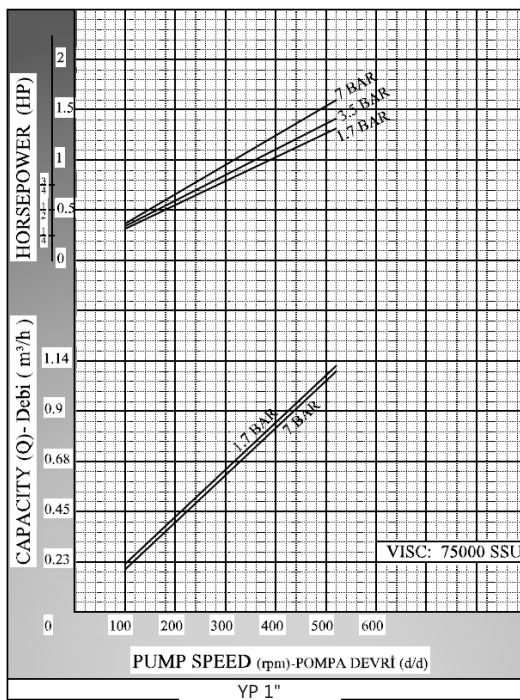
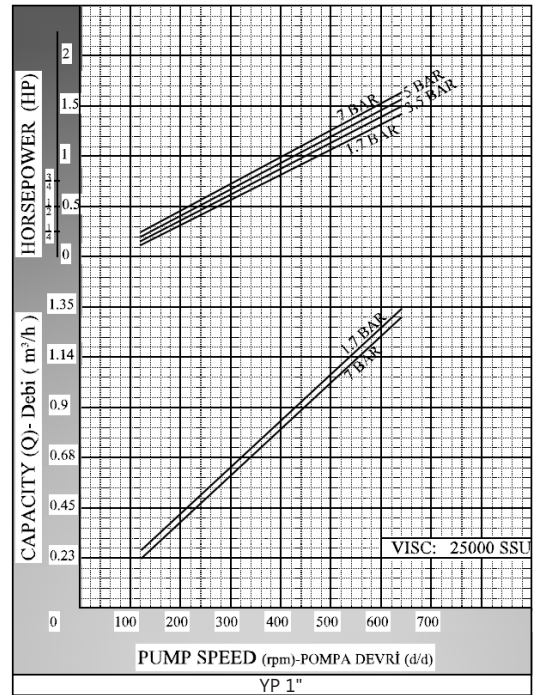
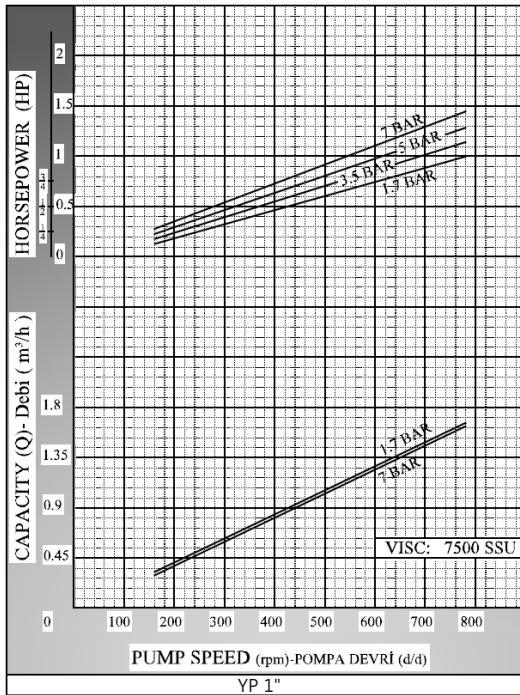
  

Motor Powers		Motor Powers		Motor Powers	
1 HP	1400 d/d (rpm)	1 HP	900 d/d (rpm)	1.5 HP	750 d/d (rpm)
Motor Body		1.5 HP	900 d/d (rpm)	2 HP	900 d/d (rpm)
80		1.5 HP	1400 d/d (rpm)	3 HP	1400 d/d (rpm)
		2 HP	1400 d/d (rpm)	Motor Body	
		Motor Body		100	
		90			

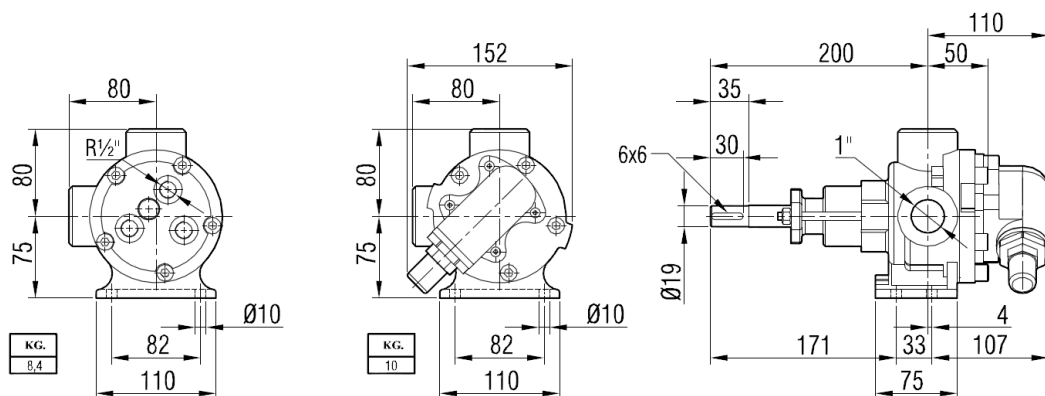


Pump Dimensions - Capacity Graphs:



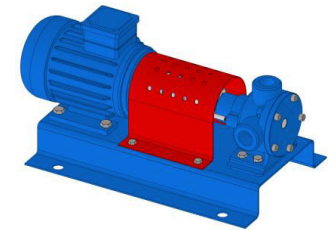
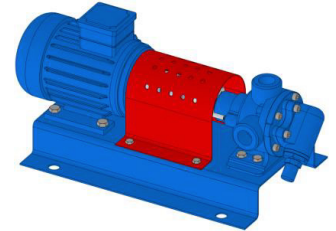
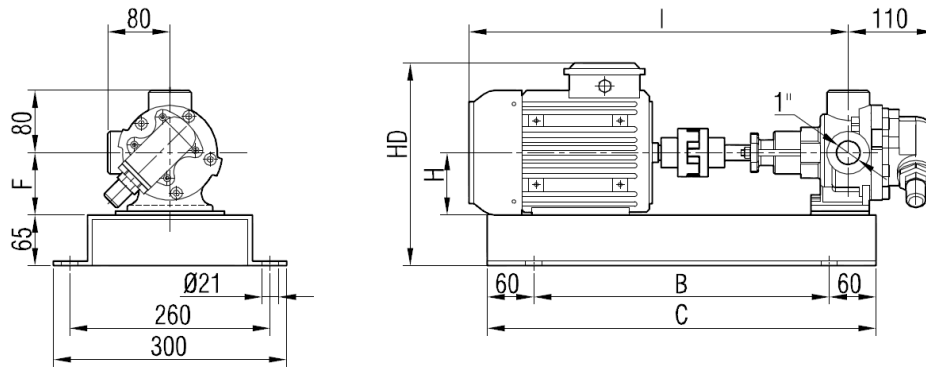


**Pump Dimensions:**



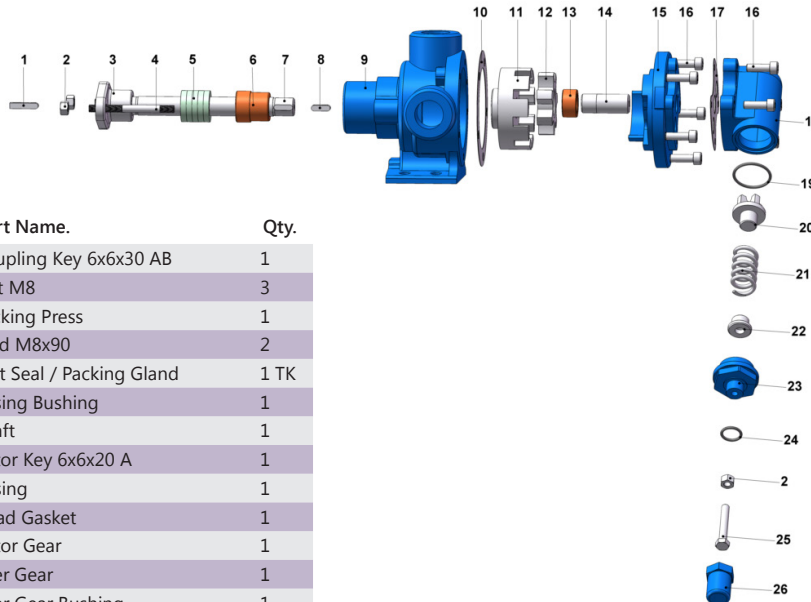


## Coupling Dimensions - Motor and gearbox drive:



Motor Power & Speed			I	HD	H	B	C	F	Kg	
0.5-0.75 HP / 0.37-0.55 kw	900 d/d (rpm)	MOTOR 80	501	263	80	380	500	80	29	30
0.75-1 HP / 0.55-0.75 kw	1400 d/d (rpm)								18	29
1 HP / 0.75 kw	900 d/d (rpm)	MOTOR 90S	541	281	90	380	500	90	33	
1.5 HP / 1.1 kw	1400 d/d (rpm)								35	
1.5 HP / 1.1 kw	900 d/d (rpm)	MOTOR 90L	580						42	
2 HP / 1.5 kw	1400 d/d (rpm)								44	
1.5 HP / 1.1 kw	750 d/d (rpm)	MOTOR 100L	608	300	100	430	550	100	42	
2 HP / 1.5 kw	900 d/d (rpm)								44	
3-4 HP / 2.2-3 kw	1400 d/d (rpm)								44	

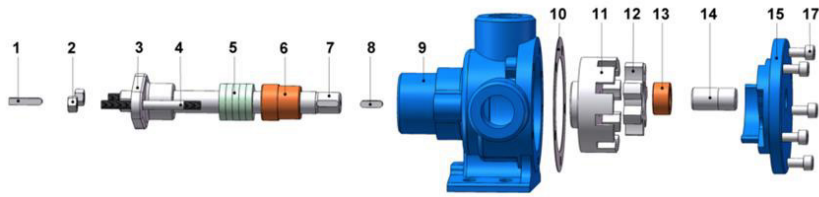
## Spare Parts List - Sealed with soft seal, and pressure relief valve on cover:



No.	Part Name.	Qty.
1	Coupling Key 6x6x30 AB	1
2	Nut M8	3
3	Packing Press	1
4	Stud M8x90	2
5	Soft Seal / Packing Gland	1 TK
6	Casing Bushing	1
7	Shaft	1
8	Rotor Key 6x6x20 A	1
9	Casing	1
10	Head Gasket	1
11	Rotor Gear	1
12	Idler Gear	1
13	Idler Gear Bushing	1
14	Cover Pin	1
15	Cover (w/ Bypass Inlets)	1
16	Inbus Bolt M8x25 For Cover	9
17	Bypass Gasket	1
18	Pressure Relief Valve - Bypass	1
19	Bypass O-Ring	1
20	Valve	1
21	Spring	1
22	Washer	1
23	Bypass Cover	1
24	Cap O-Ring	1
25	Adjusting Screw M8x55	1
26	Cap	1



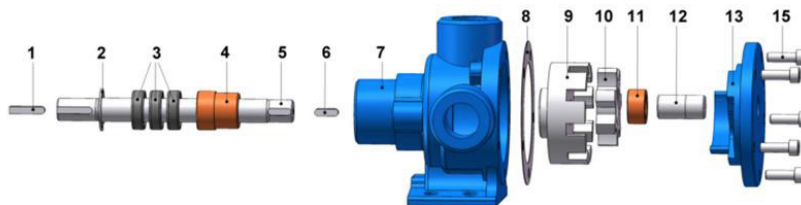
## Spare Parts List - Sealed with soft seal, jacketed, and with blind cover:



No.	Part Name.	Qty.
1	Coupling Key 6x6x30 AB	1
2	Nut M8	2
3	Packing Press	1
4	Stud M8x90	2
5	Soft Seal / Packing Gland	1 TK
6	Casing Bushing	1
7	Shaft	1
8	Rotor Key 6x6x20 A	1
9	Casing	1
10	Cover Gasket	2
11	Rotor Gear	1
12	Idler Gear	1
13	Idler Gear Bushing	1
14	Cover Pin	1
15	Blind Cover	1
16	Cover (w/ Heating Jacket)	1
17	Inbus Bolt M8x25 For Blind Cover	5
	Inbus Bolt M8x30 For Cover (w/ Heating Jacket)	5



## Spare Parts List - Sealed with lip seal, jacketed, and with blind cover:

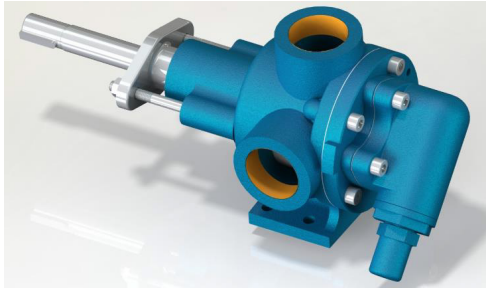


No.	Part Name.	Qty.
1	Coupling Key 6x6x30 AB	1
2	Internal Circlip (ø33)	1
3	Lip Seal ø20xø33x10	3
4	Casing Bushing	1
5	Shaft	1
6	Rotor Key 6x6x20 A	1
7	Casing	1
8	Cover Gasket	2
9	Rotor Gear	1
10	Idler Gear	1
11	Idler Gear Bushing	1
12	Cover Pin	1
13	Blind Cover	1
14	Cover (w/ Heating Jacket)	1
15	Inbus Bolt M8x25 For Blind Cover	5
	Inbus Bolt M8x30 For Cover (w/ Heating Jacket)	5





## YP 1½" Internal Eccentric Gear Pump



### Performance:

Flow rate	5.5 m³/h
Pressure	1 - 7 bar
Temperature	0 - 100 °C
Speed	1400 d/d
Viscosity	100 - 75000 SSU

### Technical Features:

- ✓ Internal eccentric gear pump
- ✓ 1½" threaded ports
- ✓ Compact design
- ✓ Reliable construction thanks to only two moving parts
- ✓ Various material options
- ✓ Available with external bypass, jacketed and blind cover
- ✓ 230v, three phase 50/60hz motors available
- ✓ Motor and gearbox drive available
- ✓ Manufactured according to CE regulations

### Applications:

- ✓ Fuel oil, diesel fuel and gas oil transfer
- ✓ Small scale thermal oil applications including Marlotherm, Duratherm, Paratherm, Multitherm, Mobiltherm and Dowtherm
- ✓ Lubrication applications
- ✓ Coolant transfer
- ✓ Any transfer of low to medium viscosity fluids with lubricating properties
- ✓ Not suitable for fluids containing abrasive particles

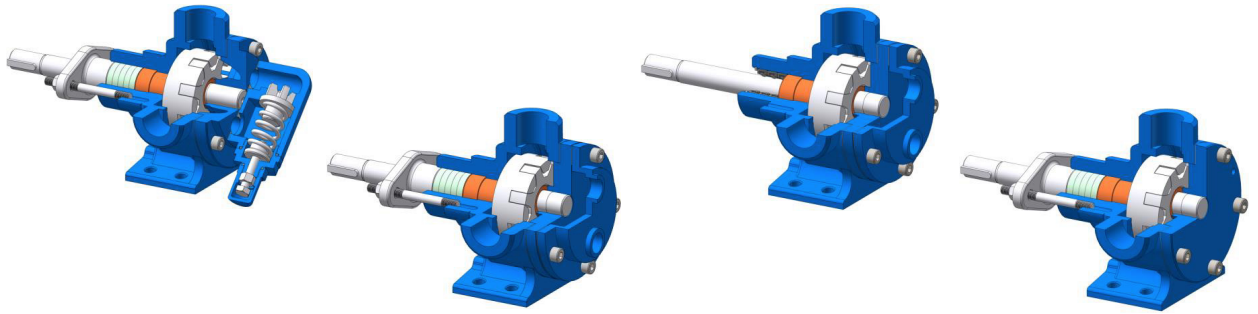
### Material Options:

- ✓ Pump body, covers: Cast iron, steel cast, stainless AISI 304/316 cast
- ✓ Gears: Cast iron, steel cast, stainless AISI 304/316 cast, Spheroidal cast iron
- ✓ Bearings: Sbnz 12 bronze, carbon graphite, silicon carbide, hard metal coated steel
- ✓ Sealing: Lip seal

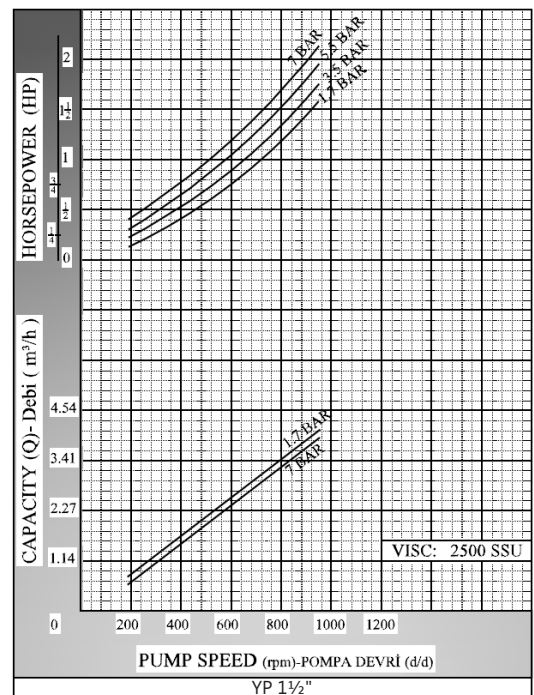
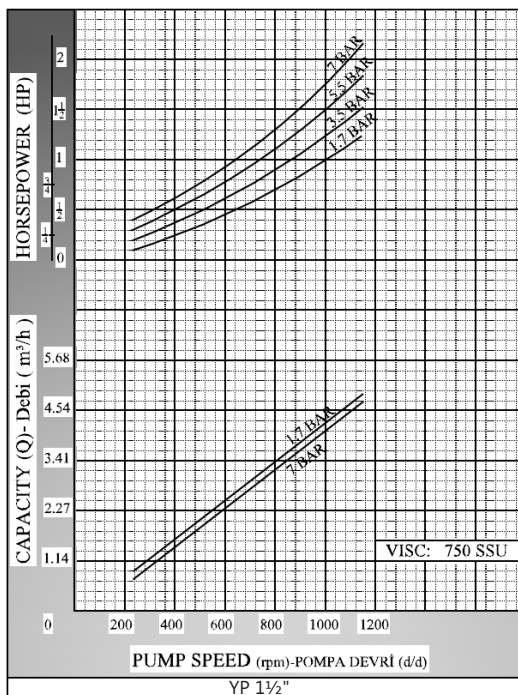
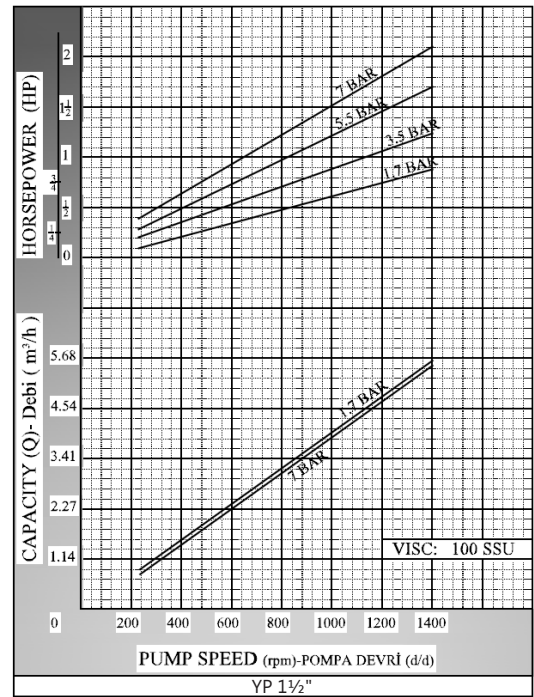
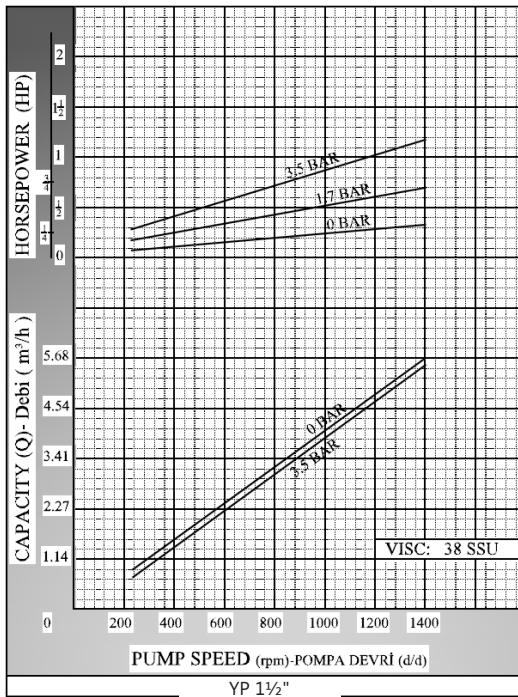
Capacity & Power Table					
Capacity (Q)	Speed (rpm)	Pressure			Viscosity
		2 Bar	5 Bar	7 Bar	
3.5	900	1.5 HP	1.5 HP	2 HP	750 SSU
5.5	1400	1.5 HP	2 HP	3 HP	100 SSU

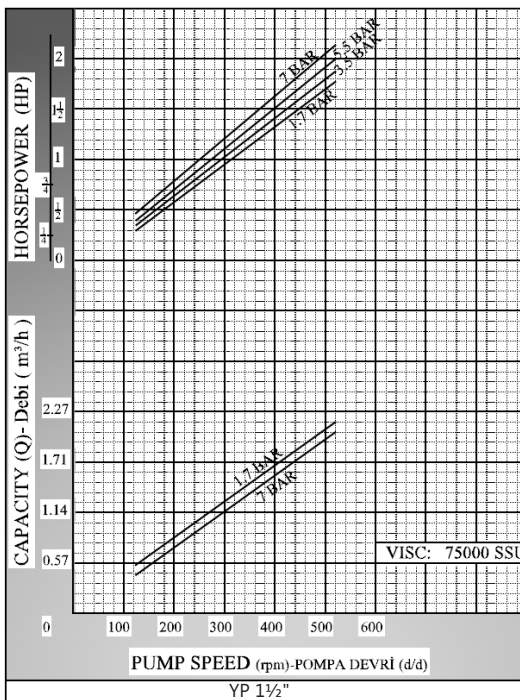
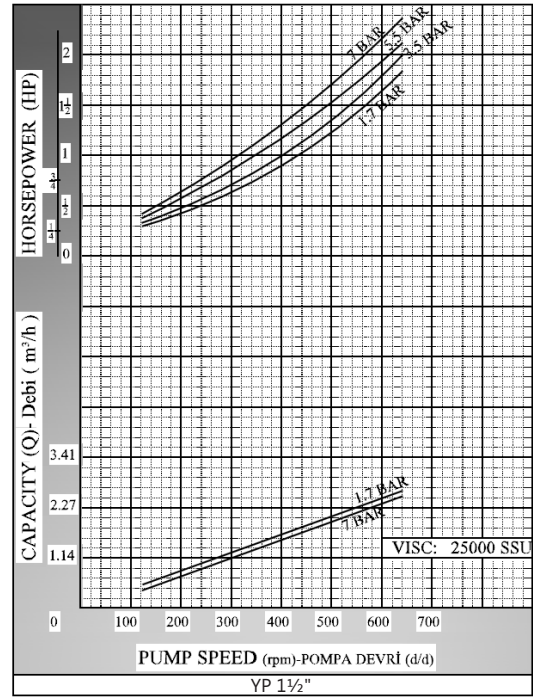
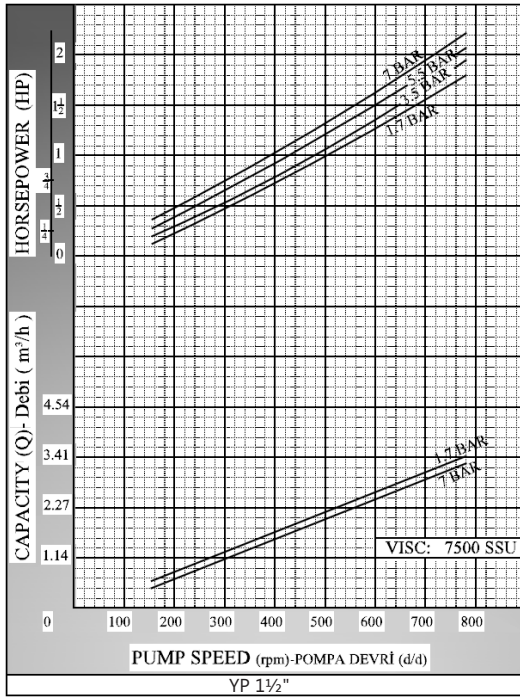
  

Motor Powers		Motor Powers	
1.5 HP	900 d/d (rpm)	1.5 HP	750 d/d (rpm)
1.5 HP	1400 d/d (rpm)	2 HP	900 d/d (rpm)
2 HP	1400 d/d (rpm)	3 HP	1400 d/d (rpm)
Motor Body		Motor Body	
90		100	

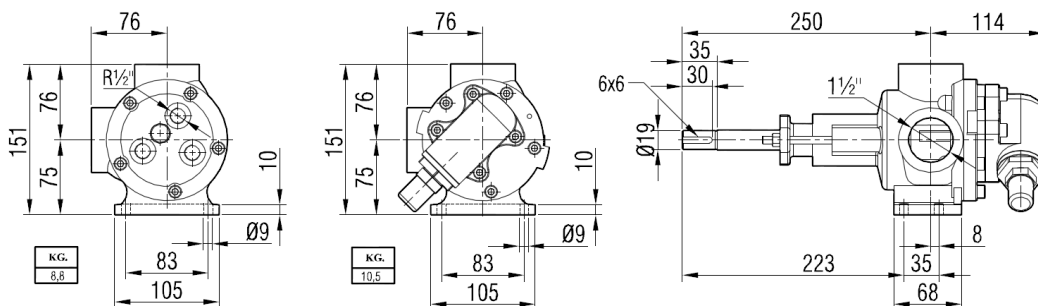


Pump Dimensions - Capacity Graphs:





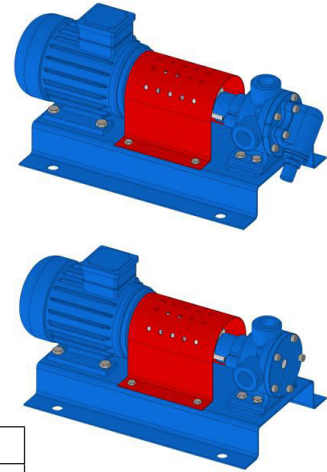
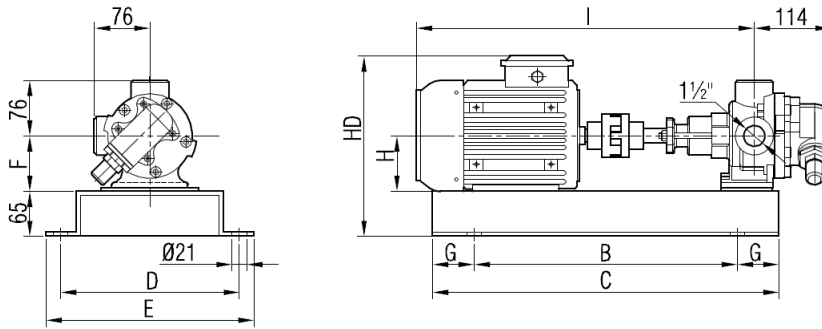
**Pump Dimensions:**





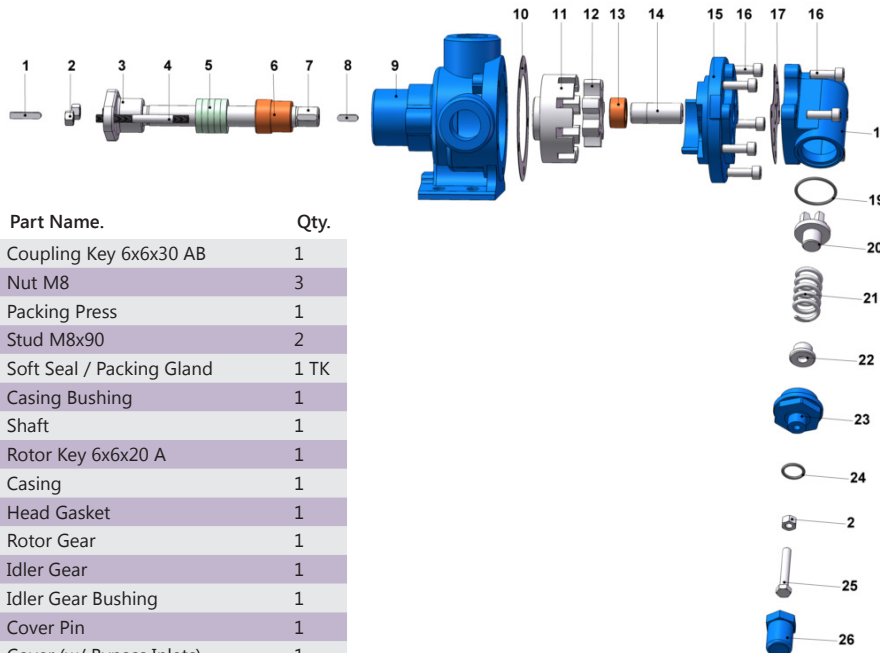


## Coupling Dimensions - Motor and gearbox drive:



Motor Power & Speed			I	HD	H	B	C	D	E	F	G	Kg	
1 HP / 0.75 kw	900 d/d (rpm)	MOTOR 90S	578	281	90	430	550	260	300	90	60	34	
1.5 HP / 1.1 kw	1400 d/d (rpm)												
1.5 HP / 1.1 kw	900 d/d (rpm)	MOTOR 90L	603	281	90	430	550	260	300	90	60	36	
2 HP / 1.5 kw	1400 d/d (rpm)												
1.5 HP / 1.1 kw	750 d/d (rpm)	MOTOR 100L	645	300	100	420	620	310	350	100	100	50	
2 HP / 1.5 kw	900 d/d (rpm)												
3-4 HP / 2.2-3 kw	1400 d/d (rpm)	MOTOR 112M	665	322	112	420	620	310	350	112	100	48	52
2 HP / 1.5 kw	750 d/d (rpm)												
3 HP / 2.2 kw	900 d/d (rpm)											56	
5.5 HP / 4 kw	1400 d/d (rpm)											57	

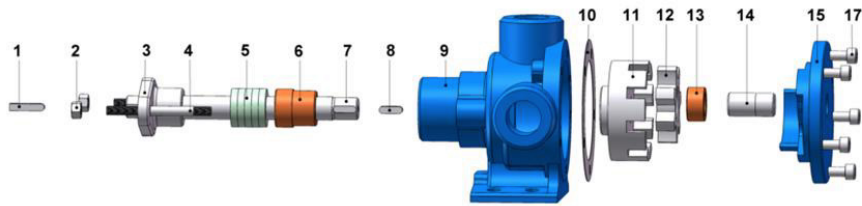
## Spare Parts List - Sealed with soft seal, and pressure relief valve on cover:



No.	Part Name.	Qty.
1	Coupling Key 6x6x30 AB	1
2	Nut M8	3
3	Packing Press	1
4	Stud M8x90	2
5	Soft Seal / Packing Gland	1 TK
6	Casing Bushing	1
7	Shaft	1
8	Rotor Key 6x6x20 A	1
9	Casing	1
10	Head Gasket	1
11	Rotor Gear	1
12	Idler Gear	1
13	Idler Gear Bushing	1
14	Cover Pin	1
15	Cover (w/ Bypass Inlets)	1
16	Inbus Bolt M8x25 For Cover	9
17	Bypass Gasket	1
18	Pressure Relief Valve - Bypass	1
19	Bypass O-Ring	1
20	Valve	1
21	Spring	1
22	Washer	1
23	Bypass Cover	1
24	Cap O-Ring	1
25	Adjusting Screw M8x55	1
26	Cap	1



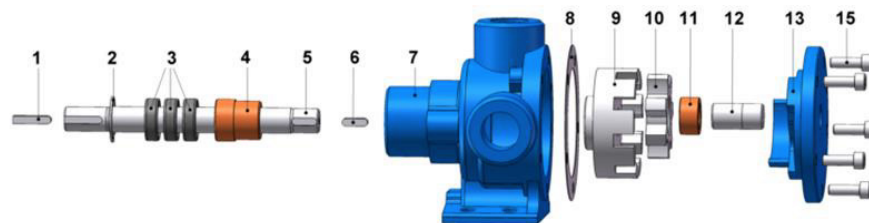
## Spare Parts List - Sealed with soft seal, jacketed, and with blind cover:



No.	Part Name.	Qty.
1	Coupling Key 6x6x30 AB	1
2	Nut M8	2
3	Packing Press	1
4	Stud M8x90	2
5	Soft Seal / Packing Gland	1 TK
6	Casing Bushing	1
7	Shaft	1
8	Rotor Key 6x6x20 A	1
9	Casing	1
10	Cover Gasket	2
11	Rotor Gear	1
12	Idler Gear	1
13	Idler Gear Bushing	1
14	Cover Pin	1
15	Blind Cover	1
16	Cover (w/ Heating Jacket)	1
17	Inbus Bolt M8x25 For Blind Cover	5
	Inbus Bolt M8x30 For Cover (w/ Heating Jacket)	5



## Spare Parts List - Sealed with lip seal, jacketed, and with blind cover:



No.	Part Name.	Qty.
1	Coupling Key 6x6x30 AB	1
2	Internal Circlip (ø33)	1
3	Lip Seal ø20xø33x10	3
4	Casing Bushing	1
5	Shaft	1
6	Rotor Key 6x6x20 A	1
7	Casing	1
8	Cover Gasket	2
9	Rotor Gear	1
10	Idler Gear	1
11	Idler Gear Bushing	1
12	Cover Pin	1
13	Blind Cover	1
14	Cover (w/ Heating Jacket)	1
15	Inbus Bolt M8x25 For Blind Cover	5
	Inbus Bolt M8x30 For Cover (w/ Heating Jacket)	5

