

Cubic 15

Specifications and types



Zone 2 – Zone 22	II 3G Ex h IIB T4 Gc e II 3D Ex h IIIB T135°C Dc X
Zone 1 – Zone 21	II 2G Ex h IIB T4 Gb e II 2D Ex h IIIB T135°C Db X
Zone 1 – Zone 21	II 2G Ex h IIC T4 Gb **

** The Group IIC gas application string is applicable on Boxer series pumps in Conduct version with Conductive TFM diaphragms.

Suction / delivery connections	3/8" f BSPP (*)
Air fitting	3/8" f BSPP
Max. flow rate*	17 l/min
Max. supply air pressure	8 bar
Max. head*	80 m
Max negative suction head - dry-running**	3 m
Max negative suction head - with pump primed	9,5 m
Max. diameter suspended solids	0,5 mm
Noise	65 dB

(*) NPT fittings on request

* The curves and the performances refer to pumps with immersed suction and open delivery outlet, with water at 20°C and vary depending on material composition.

** The value depends on the pump configuration.



PLASTIC MATERIAL - PP (GF/CF)

Cubic 15



Maximum dimensions

Height	105 mm
Width	201 mm
Depth	105 mm



Construction mat. (casing and manifolds) and net weight

POLYPROPYLENE (with glass additive)	1.35 Kg
	Temp. 3°C min.
	65°C max
CONDUCTIVE POLYPROPYLENE (with carbon additive)	1.35 Kg
	Temp. 3°C min.
	65°C max



PLASTIC MATERIAL - ECTFE

Cubic 15



Maximum dimensions

Height	105 mm
Width	201 mm
Depth	105 mm



Construction mat. (casing and manifolds) and net weight

ECTFE	1.6 Kg
	Temp. 3°C min.
	95°C max

Any colour variations in our plastic products are due to the special mixtures of the raw materials used. The use of high fillers, glass and long-fibre carbon, provides a distinctive aesthetic that in no way detracts from the quality of the product, but rather emphasises its high technical content, to the benefit of performance.

Cubic 15

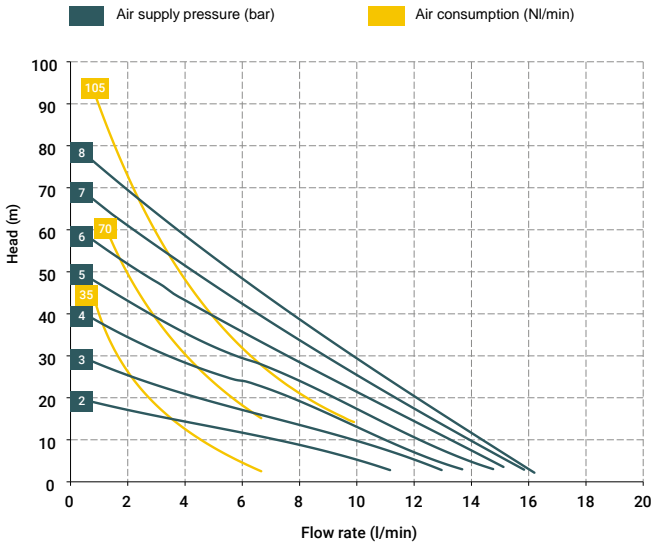


Specifications and types



Zone 2 – Zone 22 II 3G Ex h IIB T4 Gc e II 3D Ex h IIIB T135°C Dc X
 Zone 1 – Zone 21 II 2G Ex h IIB T4 Gb e II 2D Ex h IIIB T135°C Db X
 Zone 1 – Zone 21 II 2G Ex h IIC T4 Gb **

** The Group IIC gas application string is applicable on Boxer series pumps in Conduct version with Conductive TFM diaphragms.



Any colour variations in our plastic products are due to the special mixtures of the raw materials used. The use of high fillers, glass and long-fibre carbon, provides a distinctive aesthetic that in no way detracts from the quality of the product, but rather emphasises its high technical content, to the benefit of performance.

T15 distributor material (pneumatic circuit)

- POM

Central material

- Polypropylene (with glass additive)
- Conductive polypropylene (with carbon additive)

Diaphragm materials

- PTFE
- NBR

Caps materials

- Polypropylene (with glass additive)
- Conductive polypropylene (with carbon additive)
- PVDF

Ball materials

- PTFE
- AISI 316 L
- EPDM

O-ring materials

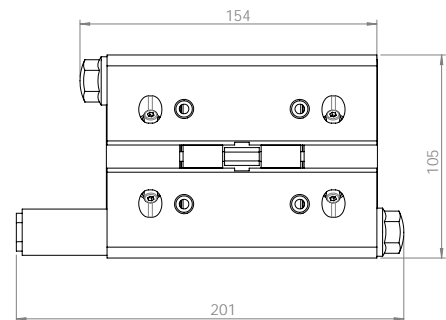
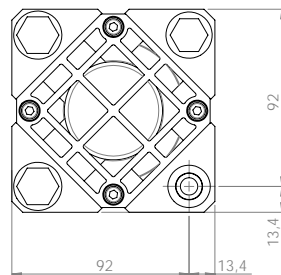
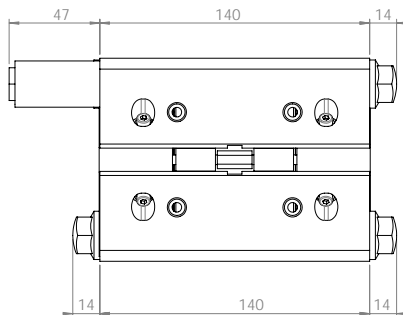
- EPDM
- NBR
- VITON®
- PTFE

Packaging

cardboard box - cm 14 x 19 x 14 – weight 0.17 Kg
 (the weight refers only to the packaging without the pump inside)

Accessories

- Equaflex 51 (For damper materials, please refer to the technical data sheet)
- Foot valve
- Air regulation kit W1000-8-G
- Batch controller
- Stroke counter



Split Suction And Delivery



Self-Priming Use



Under Head Use



Drum Transfer