

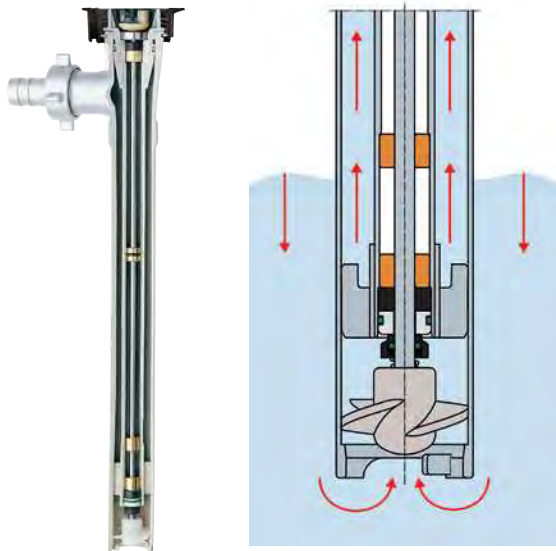
# Technical Data Sheet

Drum pumps F/FP 430



More than just pumps

## Drum pumps F/FP 430



### Advantages/characteristics:

- ▶ With mechanical seal for interior seal
- ▶ Compared to sealless pump increased service life with abrasive media
- ▶ Ideal for frequent media changes, curing media, quick drying media, crystallising media
- ▶ Can be easily dismantled into two parts for cleaning
- ▶ With metal core reinforced inner tube on plastic versions, prevents leakage and unnecessary wearout of the mechanical seal at all application temperature areas
- ▶ Operation against closed valve is possible (hand nozzle, ball valve, etc.), up to indicated max. operating temperature



Technical data/type	F 430 PP	F 430 PVDF	F 430 S	FP 430 Ex S FOOD	F 430 HC	F 430 AI
Seal type	Mechanical seal					
Version	With impeller for max. flow rate, with mixed half axial impeller for max. delivery head (Z-version)					
Pressure-side connection	Thread G 1 1/4 A			Clamp 1 1/2"	Thread G 1 1/4 A	
<b>Materials</b>						
Pump	Polypropylene	Polyvinylidene fluoride	Stainless steel 316 Ti		Hastelloy C	Aluminium
O-ring <sup>2)</sup>	EPDM, FKM	FKM, FFKM	EPDM, FKM, FFKM	FKM	FFKM	NBR
Mechanical seal	Oxide ceramics, PTFE/coal					
Shaft	Hastelloy C		Stainless steel 316 Ti		Hastelloy C	Stainless steel
Impeller	ETFE			Stainless steel	ETFE	
<b>Dimensions</b>						
Outer tube diameter / Impeller diameter (mm)	40/33 40/33 Z 50/38 50/43 Z		41/38 41/37 Z 50/45 Z	41/38	40/38	41/38 41/37 Z 50/38
Standard immersion depth (mm)	700, 1 000, 1 200					
Other immersion depths / special lengths (mm) <sup>3)</sup>	200 - 3 000					200 - 2 000
<b>Operating range</b>						
Container	Drums, IBCs, tanks, canisters, hobbocs, mixing containers etc.					
Media temperature (°C)	0 to +50	0 to +80	0 to +100		0 to +120	0 to +80
Media temperature ex-application (°C)	-	-	0 to +40			-
Ambient temperature (°C)	0 to +40			-20 to +40		
Weight Ø 40/41, ID 1 000 mm (kg)	1.4	1.7	3.0	3.0	3.0	1.5
Weight Ø 50, ID 700/1 000/1 200 mm (kg)	1.5	2.1	4.5			1.8
<b>Certificates</b>						
Ex-identification	None	None	II 1/2 G IIB T4			None
Food approvals	None	None	None	(EG) 935/2004 FDA CFR 21	None	None
Silicone-free version	On request					
<b>Performance data<sup>1)</sup></b>						
	<b>Impeller</b>			<b>Half axial impeller (Z-version)</b>		
Flow rate max. l/min.	240			120		
Delivery head max. mwc	12			28		
Viscosity max. mPas	1 000			1 200		

1) Depending on pump version, media and motor

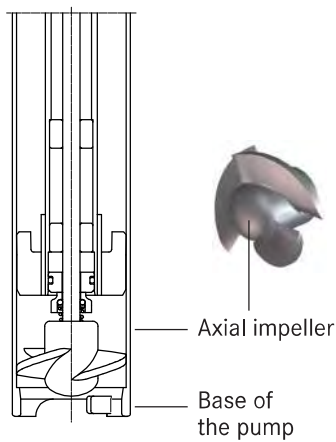
2) Other materials available on request

3) In gradations of 100 mm

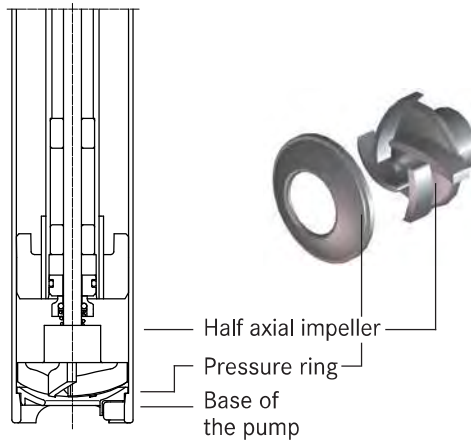
# Design, assembly example and dimensions

## Drum pumps F/FP 430

### Design:

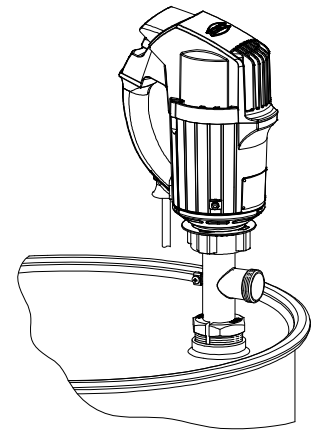


F/FP 430 with mechanical seal and impeller



F/FP 430 with mechanical seal and half axial impeller (Z-version)

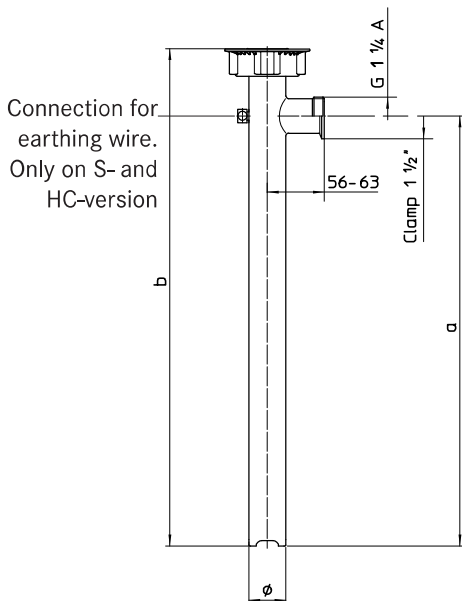
### Assembly example:



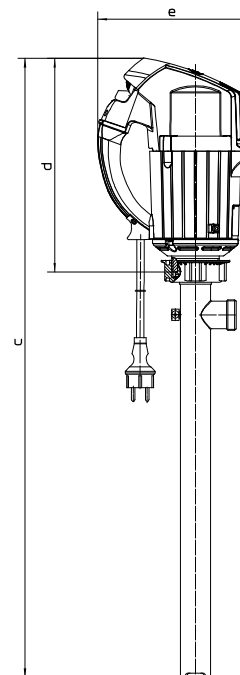
F/FP 430 with compression gland joint mounted in a drum with bung hole

### Dimensions:

#### Drum pump F/FP 430



#### Drum pump with motor



#### Standard immersion depth (ID)

Ø (mm)	ID (mm)	a (mm)	b (mm)
40/41 or 50	700	706	780
	1 000	1 006	1 080
	1 200	1 206	1 280

#### Other immersion depths (ID)

$a = ID + 6$  and  $b = ID + 80$

#### F/FP 430 with motor

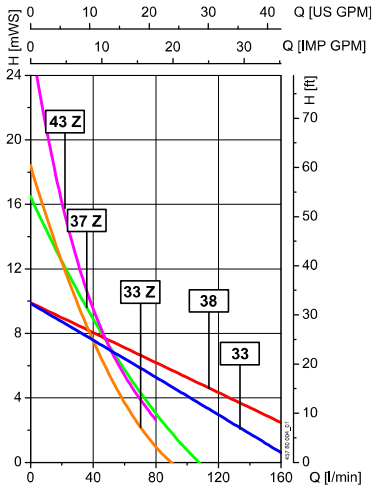
Motor type	c (mm)	d (mm)	e (mm)
FEM 4070	b + d - 16	207	186
F 457 (EL)		225	217
F 458 (-1, EL)		292	209
F 460 Ex (-1, EL)		292	209
FBM 4000 Ex		292	209
F 416 Ex		119	230
F 416-1 Ex		101	120
F 416-2 Ex		101	120

# Performance diagrams<sup>1)</sup>

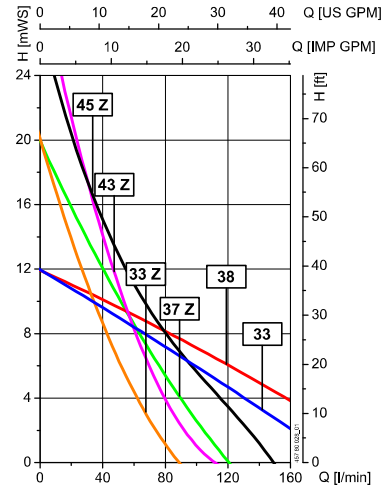
## Drum pumps F/FP 430

The following performance diagrams apply to the indicated motors and impellers (33, 38, 33 Z, 37 Z, 43 Z and 45 Z), for all pump materials respectively.

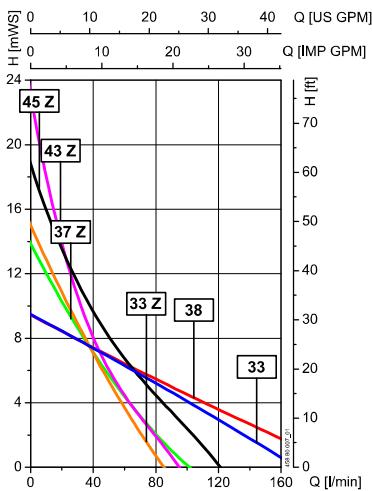
### FEM 4070



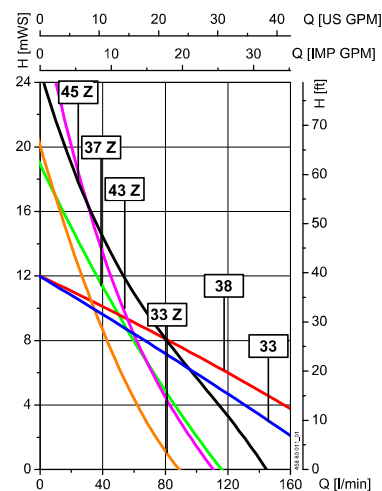
### F 457 / F 457 EL



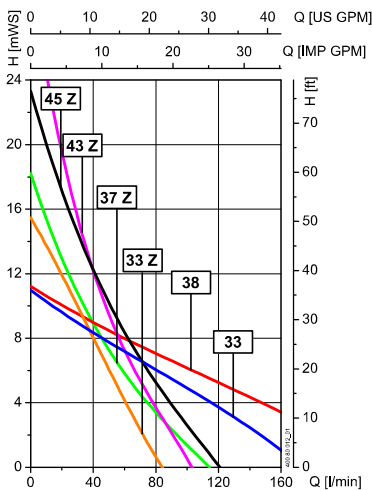
### F 458, F 458 EL, F 460 Ex, F 460 Ex EL



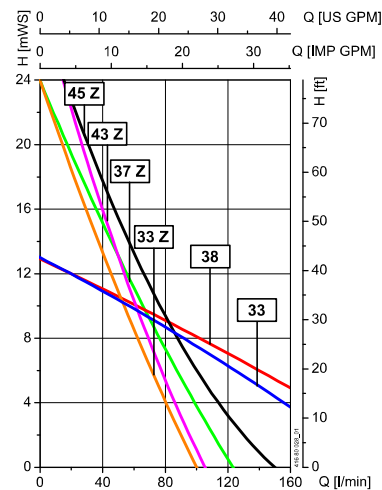
### F 458-1 / F 460-1 Ex



### FBM 4000 Ex



### F 416 Ex, F 416-1 Ex, F 416-2 Ex (6 bar)



1) Determined with water at 20 °C, measured values ± 10 % maximum flow rate with open discharge outlet

# Part numbers

Drum pumps F/FP 430



More than just pumps

Standard immersion depths									
Type	Material			Diameter (mm)		Part no.			
	Pump	Shaft in contact with medium	O-ring	Ø outer tube	Ø impeller	700 mm	1 000 mm	1 200 mm	
<b>F 430</b> Connection thread G 1¼ A	PP	HC	FKM	40	33	10-430 40 107	10-430 40 110	10-430 40 112	
			EPDM			10-430 48 110	10-430 48 112		
			FKM	40	33 Z	10-430 40 407	10-430 40 410	10-430 40 412	
			FKM			10-430 40 307	10-430 40 310	10-430 40 312	
	PVDF	HC	FKM	40	33	10-430 40 207	10-430 40 210	10-430 40 212	
			FFKM			10-430 60 107	10-430 60 110	10-430 60 112	
			FKM	40	33 Z	10-430 60 407	10-430 60 410	10-430 60 412	
			FKM			10-430 60 307	10-430 60 310	10-430 60 312	
	AI	S	NBR	41	38	10-430 60 207	10-430 60 210	10-430 60 212	
			NBR			10-430 10 107	10-430 10 110	10-430 10 112	
			NBR	41	37 Z	10-430 10 407	10-430 10 410	10-430 10 412	
	HC	HC	NBR	50	38	10-430 10 307	10-430 10 310	10-430 10 312	
			FFKM			40	38	10-430 30 107	10-430 30 110
	S	S	FKM	41	38	10-430 20 107	10-430 20 110	10-430 20 112	
			EPDM			10-430 28 110	10-430 28 112		
			FFKM	41	37 Z	10-430 29 110	10-430 29 112	10-430 29 112	
			FKM			10-430 20 407	10-430 20 410	10-430 20 412	
	FKM	50	45 Z	10-430 20 207	10-430 20 210	10-430 20 212			
	<b>FP 430 Ex FOOD</b> Connection thread clamp 1½"	S	S	FKM	41	38	10-430 20 507	10-430 20 510	10-430 20 512

Special lengths								
Type	Material			Diameter (mm)		Part no.		
	Pump	Shaft in contact with medium	O-ring	Ø outer tube	Ø impeller	500 mm	1 500 mm	1 800 mm
<b>F 430</b> Connection thread G 1¼ A	PP	HC	FKM	40	33	10-430 40 105	10-430 40 115	10-430 40 118
			FKM			40	33 Z	10-430 40 405
			FKM	50	38	10-430 40 305	10-430 40 315	10-430 40 318
			FKM			40	43 Z	10-430 40 205
	PVDF	HC	FKM	40	33	10-430 60 105	10-430 60 115	10-430 60 118
			FKM			40	33 Z	10-430 60 405
			FKM	50	38	10-430 60 305	10-430 60 315	10-430 60 318
			FKM			40	43 Z	10-430 60 205
	AI	S	NBR	41	38	10-430 10 105	10-430 10 115	10-430 10 118
			NBR			41	37 Z	10-430 10 405
	S	S	FKM	41	38	10-430 20 105	10-430 20 115	10-430 20 118
			FKM			41	37 Z	10-430 20 405
			FKM	50	45 Z	10-430 20 205	10-430 20 215	10-430 20 218
			FKM			41	38	10-430 20 120

Special lengths								
Type	Material			Diameter (mm)		Part no.		
	Pump	Shaft in contact with medium	O-ring	Ø outer tube	Ø impeller	2 000 mm	2 500 mm	3 000 mm
<b>F 430</b> Connection thread G 1¼ A	PP	HC	FKM	40	33	10-430 40 120		
			FKM			40	33 Z	10-430 40 420
			FKM	50	38	10-430 40 320	10-430 40 325	10-430 40 330
			FKM			40	43 Z	10-430 40 220
	PVDF	HC	FKM	40	33	10-430 60 120		
			FKM			40	33 Z	10-430 60 420
			FKM	50	38	10-430 60 320	10-430 60 325	10-430 60 330
			FKM			40	43 Z	10-430 60 220
	AI	S	NBR	41	38	10-430 10 120		
			NBR			41	37 Z	10-430 10 420
	S	S	FKM	41	38	10-430 20 120	10-430 20 125	10-430 20 130
			FKM			41	37 Z	10-430 20 420
			FKM	50	45 Z	10-430 20 220	10-430 20 225	10-430 20 230
			FKM			41	38	10-430 20 120

Other immersion depths/other O-rings/other connections on request

Hose connections with union nut G 1¼ for standard version						
Material		Size				
Connection	Union nut	DN 13	DN 19	DN 25	DN 32	
Polypropylene (PP)	PP	10-959 04 081	10-959 04 053	10-959 04 052	10-959 04 054	
Polyvinylidene fluoride (PVDF)	PVDF	10-959 04 082	10-959 04 101	10-959 04 102	10-959 04 103	
Aluminium (Al)	Brass nickel-plated		10-959 04 050	10-959 04 039	10-959 04 040	
Hastelloy C (HC)	S			10-959 04 043	10-959 04 044	
Stainless steel (S) 316 Ti	Brass nickel-plated		10-959 04 061	10-959 04 041	10-959 04 042	
Stainless steel (S) 316 Ti	S		10-959 04 062	10-959 04 063	10-959 04 064	
Hose connections with clamp 1½" for FOOD-version						
Material		Size				
Connection	Seal	DN 19	DN 25			
Stainless steel (S) 316 Ti	FKM	10-959 04 171	10-959 04 169			
	NBR	10-959 04 172	10-959 04 170			

# Pump kits

## Drum pumps F/FP 430



### Pre-configured kits consist of:

- 1 Motor with cable and plug
- 2 Pump with mechanical seal
- 3 Hose line
- 4 Hand nozzle
- 5 Compression gland

Also for ex-applications



<b>Pump kit</b>	<b>For universal application</b>			
<b>Examples of media</b>	Solvents (acetone), alcohols (ethanol, methanol, isopropyl alcohol) corrosion inhibitors, anti-foaming agent			
Flow rate max. (l/min. )	50 <sup>1)</sup> (240) <sup>2)</sup>		50 <sup>1)</sup> (200) <sup>2)</sup>	
Delivery head max. (mwc)	13 <sup>2)</sup>		9.5 <sup>2)</sup>	
Temperature max. (°C)	100 (with ex-applications max. 40)			
Viscosity (mPas)	800 <sup>2)</sup>		600 <sup>2)</sup>	
<b>Pump</b>	<b>F 430 S-41/38</b>			
Pump material	Stainless steel 316 Ti			
O-ring material	FKM			
Immersion depth (mm)	1 000	1 200	1 000	1 200
Ex-identification	Ex II 1/2 G IIB T4			
<b>Motor</b>	<b>F 416 Ex</b>		<b>F 460 Ex</b>	
Technical data	470 watt at 6 bar		230 V, 50 Hz, 460 watt	
Rpm setting	Optional		No	
Low-voltage protection	-		Yes	
Protection class	-		IP 55	
Connection cable length (m)	2		5	
Plug type			Safety plug	
Ex-identification	Ex II 2 G cp IIC T6		Ex II 2 G EEX de IIC T6	
<b>Hose line</b>	Universal, DN 21			
Length (m)	2, integrated electrically conductive			
Hose mounting	Hose fittings, stainless steel			
<b>Hand nozzle</b>	Stainless steel, PTFE/FEP			
<b>Compression gland</b>	PP, conductive			
Connection thread	G2			
Weight (kg)	7.6	8.1	11.1	11.6
<b>Part no.</b>	10-416 20 010	10-416 20 012	10-460 20 010	10-460 20 012

Operating range	For acids and lyes		For concentrated acids	For mineral oil products				
<b>Examples of media</b>	Boric acid, phosphoric acid, hydrochloric acid, sulphuric acid (up to 80 %)		Hydrobromic acid, chloric acid, hydrofluoric acid, nitric acid and sulphuric acid	Diesel, heating oil, hydraulic-, machine- and motor oil				
Flow rate max. (l/min. )	40 <sup>1)</sup> (165) <sup>2)</sup>		40 <sup>1)</sup> (70) <sup>2)</sup>	65 <sup>1)</sup> (215) <sup>2)</sup>		80 <sup>1)</sup> (220) <sup>2)</sup>		
Delivery head max. (mwc)	9.5 <sup>2)</sup>		9.5 <sup>2)</sup>	9.5		12		
Temperature max. (°C)	50		80	80				
Viscosity (mPas)	600 <sup>2)</sup>		600 <sup>2)</sup>	600 <sup>2)</sup>		800 <sup>2)</sup>		
<b>Pump</b>	<b>F 430 PP-40/33</b>		<b>F 430 PVDF-40/33</b>	<b>F 430 Al-41/38</b>				
Pump material	PP		PVDF	Aluminium				
O-ring material	FKM		FKM	NBR				
Immersion depth (mm)	1 000	1 200	1 000	1 200	1 000	1 200	1 200	
<b>Motor</b>	<b>FEM 4070</b>		<b>F 458</b>	<b>FEM 4070</b>		<b>F 457</b>		
Technical data	230 V, 50 Hz, 500 watt		230 V, 50 Hz, 460 watt	230 V, 50 Hz, 500 watt		230 V, 50 Hz, 800 watt		
Rpm setting	Yes		No	Yes		No		
Low-voltage protection	Yes		Yes	Yes		Yes		
Protection class	IP 24		IP 55	IP 24		IP 24		
Connection cable length (m)	5		5	5		5		
Plug type	2-pole		Safety plug	2-pole		2-pole		
<b>Hose line</b>	PVC, DN 19		Chemical hose, DN 19	Mineral oil, DN 25				
Length (m)	2		2	2				
Hose mounting	2 hose clips		2 hose fittings	2 hose clips				
<b>Hand nozzle</b>	PP, FKM		PVDF, FKM	Aluminium, NBR				
<b>Compression gland</b>	PP, conductive		PP, conductive	PP, conductive				
Connection thread	G2		G2	G2				
Weight (kg)	5.1 (4.9)	5.3 (5.1)	8.9	9.2	6.4	6.7	7.8	8.1
<b>Part no.</b>	10-407 40 010	10-407 40 012	10-458 60 010	10-458 60 012	10-407 10 010	10-407 10 012	10-457 10 010	10-457 10 012

1) In the kit with hose and hand nozzle

2) Only applies to pump without hand nozzle, without hose

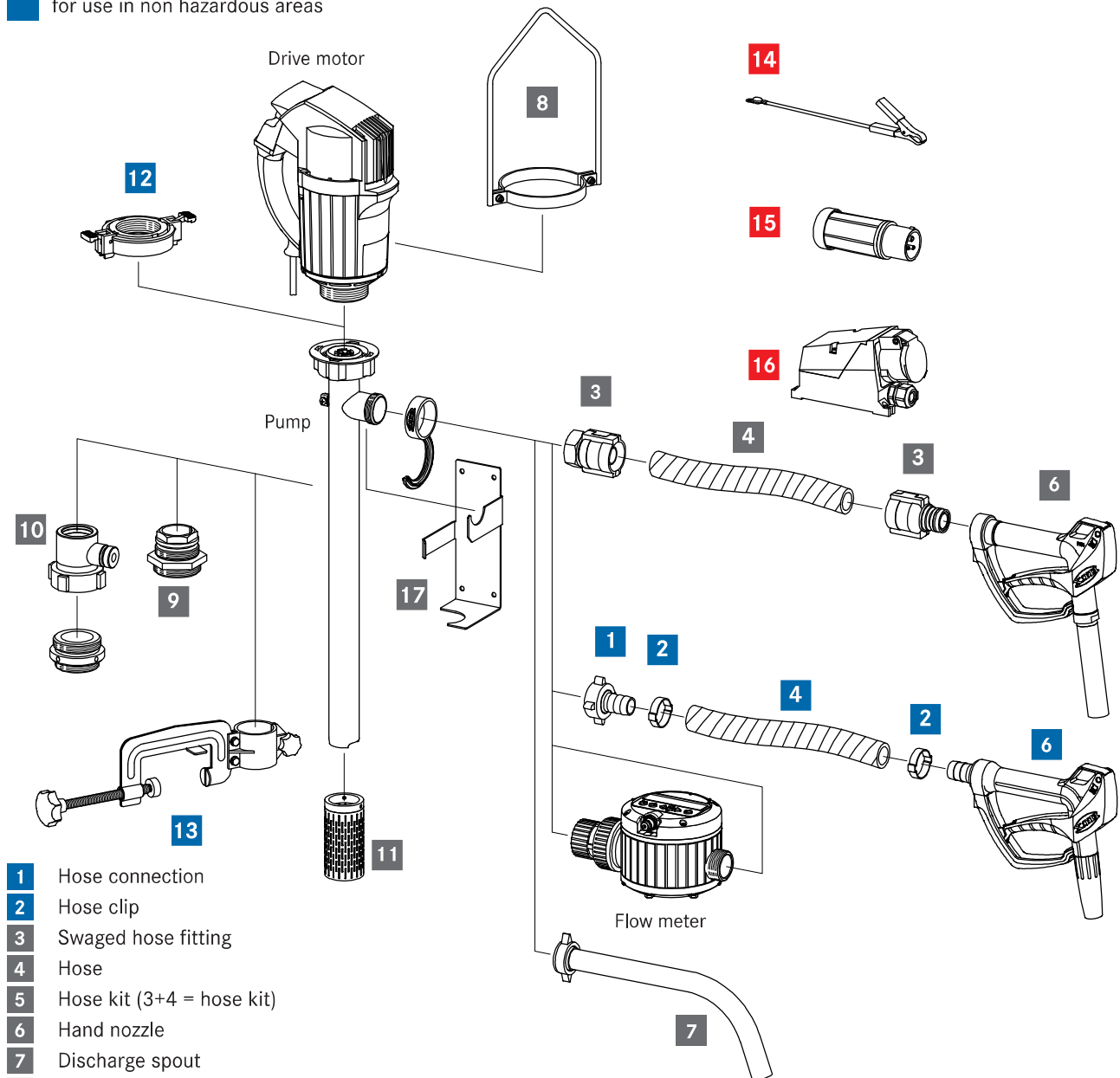
# Accessories

## Drum pumps F/FP 430

### Accessories for drum pump F/FP 430

Compatible with drum pumps from the F/FP 430 series, we offer a wide selection of accessories, for example, compression glands, hoses, hand nozzles. More information can be found in the FLUX accessory brochure, in the price list or on our homepage: [www.flux-pumps.com](http://www.flux-pumps.com).

- for use in hazardous areas
- for use in hazardous and non hazardous areas
- for use in non hazardous areas



- 1 Hose connection
- 2 Hose clip
- 3 Swaged hose fitting
- 4 Hose
- 5 Hose kit (3+4 = hose kit)
- 6 Hand nozzle
- 7 Discharge spout
- 8 Carrying handle
- 9 Compression gland
- 10 Fume gland
- 11 Suction strainer
- 12 Quick action coupling
- 13 Attachment clamp
- 14 Earth (ground) wire
- 15 Explosion-proof plug
- 16 Explosion-proof socket
- 17 Wall bracket

**FLUX-GERÄTE GMBH**

Talweg 12 · D-75433 Maulbronn

Tel +49 7043 101-0 · Fax +49 7043 101-444

[info@flux-pumpen.de](mailto:info@flux-pumpen.de) · [www.flux-pumps.com](http://www.flux-pumps.com)