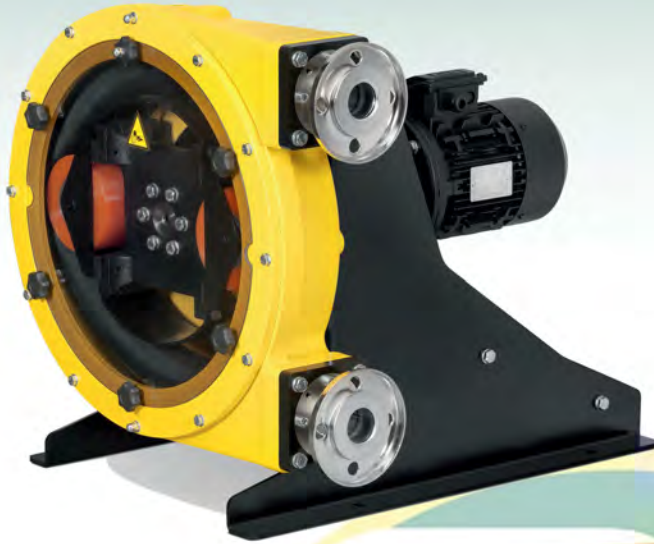


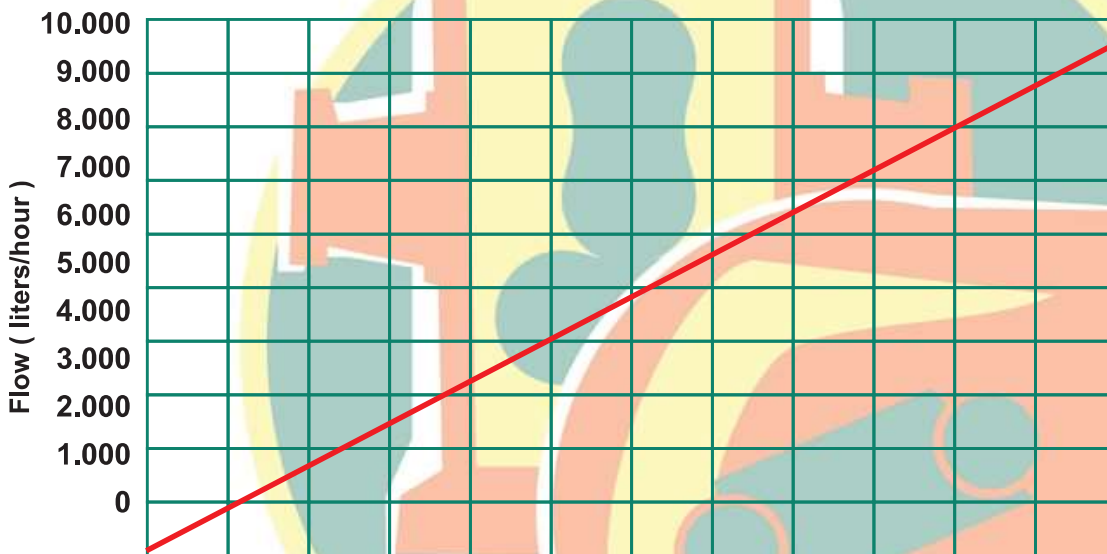


# Industrial Peristaltic Pumps

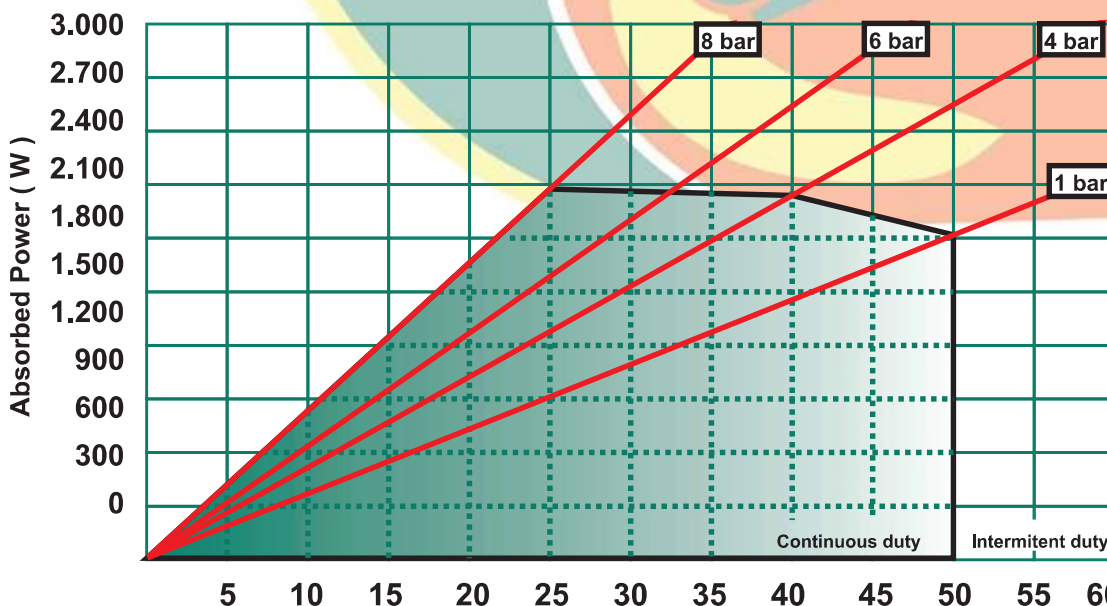
## FMP-60/B Data sheet



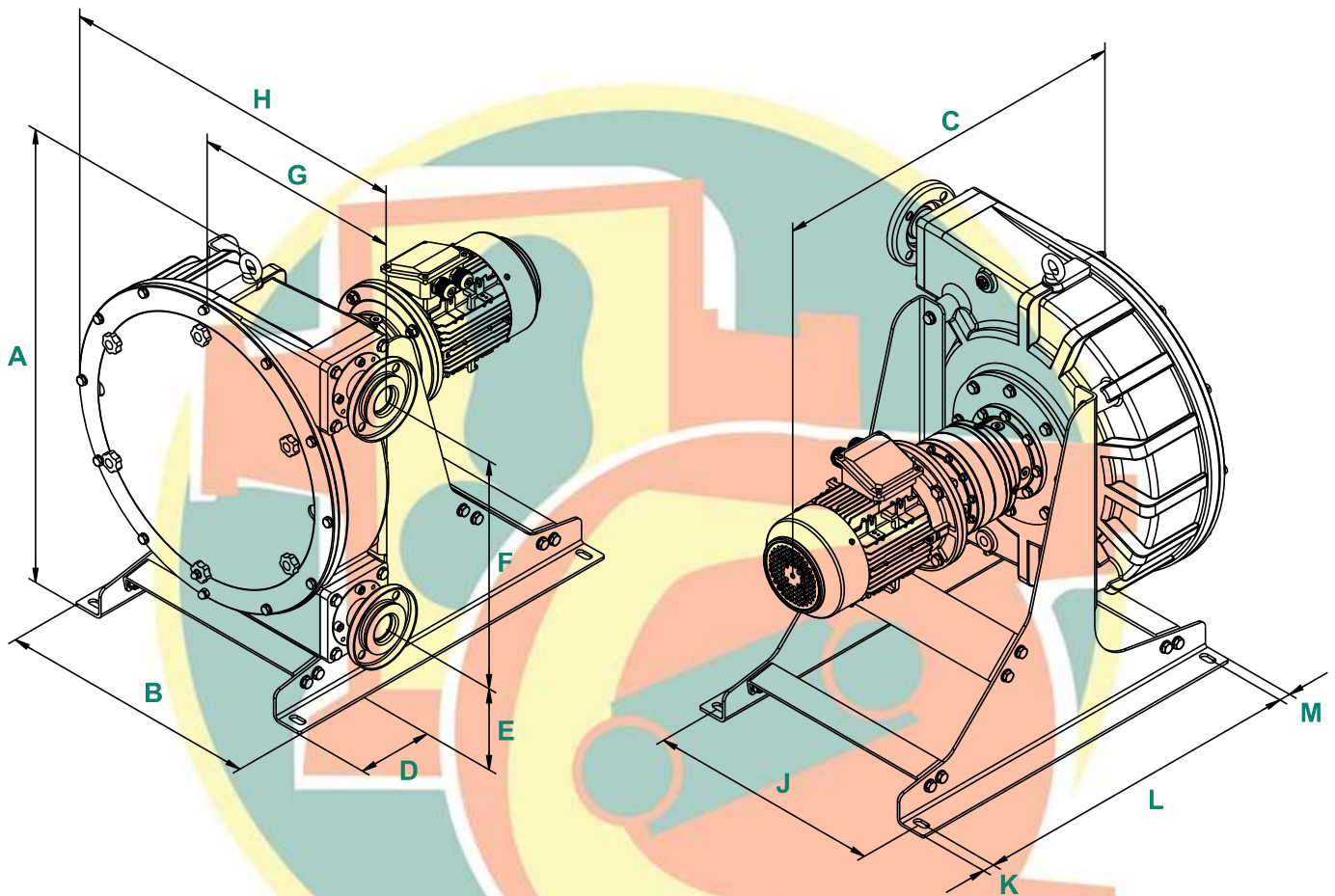
**Capacity:** 2,69 l/rev.  
**Connections:** DN-50  
**Max. Pressure:** 8 bar  
**Rotor system:** Enlarged Rollers  
**Available hoses:** NR  
NBR  
EPDM  
HYPALON  
NR-A  
NBR-A  
**Available tubes:** Norprene



Pressure (bar)	Torque (Nm)
1	340
4	500
6	610
8	800



Description	Material	Surface treatment
Pump housing	Cast Iron EN-GJL-250	Polyester powder coated Halar coated ( Optional )
Front cover	Steel F-111 / Polycarbonate	Polyester powder coated Halar coated ( Optional )
Rotor	Nodular Cast Iron EN-GJL-400	Cataphoresis
Rollers	Steel F-114 + Polyurethane	--
Base plate	Steel F-111 Stainless Steel AISI-304 ( Optional )	Polyester powder coated --
Connections	Stainless Steel AISI-316 Polypropylene ( Optional ) PVDF ( Optional )	--



A	B	C	D	E	F	G	H	J	K	L	M	Connections
850	580	*	136	212	510	378	707	520	25	740	25	DIN DIN50

\* To confirm according type and power driver.



**Bombas Boyser, S.L.**  
 c/ Miquel Martí i Pol, s/n Pol. Ind. Pla de la Costa  
 08182 Sant Feliu de Codines - Barcelona - Spain  
 Tel. +34 93 844 77 78 info@boyser.com

[www.boyser.com](http://www.boyser.com)

