

Boxer 503



Specifications and types



Zone 2 - Zone 22
Zone 1 - Zone 21
Zone 1 - Zone 21
Zone M2
IECEX

II 3G Ex h IIB T4 Gc e II 3D Ex h IIIB T135°C Dc X
II 2G Ex h IIB T4 Gb e II 2D Ex h IIIB T135°C Db X
II 2G Ex h IIC T4 Gb
I M2 Ex h I Mb X *
Ex h IIB T4 Gb e Ex h IIIB T135°C Db

** The Group IIC gas application string is applicable on Boxer series pumps in Conduct version with Conductive TFM diaphragms.
* The mining application string does not apply to aluminium pumps in the Boxer range.

Suction / delivery connections Boxer 503	3" f BSPP (*)
Suction / delivery connections FDA Boxer 503	4" Clamp BS 4825
Air fitting	3/4" f BSPP
Max. flow rate*	800 l/min
Max. supply air pressure	8 bar
Max. head*	80 m
Max negative suction head - dry-running**	4 m
Max negative suction head - with pump primed	9,5 m
Max. diameter suspended solids	10 mm
Noise	80 dB

(*) NPT fittings only on request

* The curves and the performances refer to pumps with immersed suction and open delivery outlet, with water at 20°C and vary depending on material composition.

** The value depends on the pump configuration.



PLASTIC MATERIAL PP (GF/CF) - PVDF

Boxer 503



Maximum dimensions

Height	726 mm
Width	585 mm
Depth	404 mm

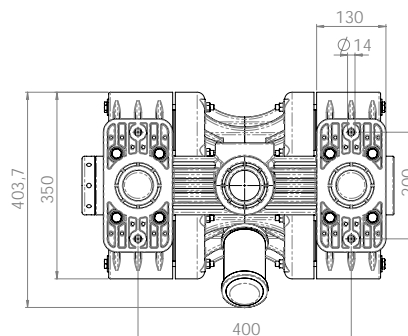
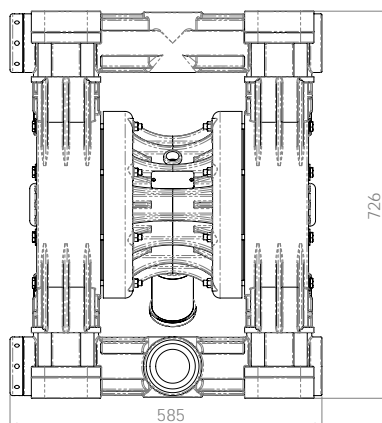
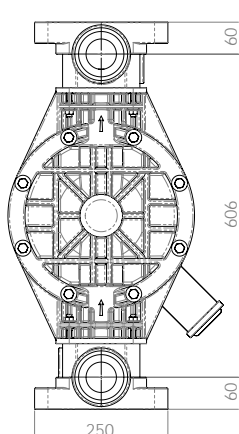


Construction mat. (casing and manifolds) and net weight

POLYPROPYLENE (with glass additive)	50 Kg Temp. 3°C min. 65°C max
---	-------------------------------------

CONDUCTIVE POLYPROPYLENE (with carbon additive)	50 Kg Temp. 3°C min. 65°C max
---	-------------------------------------

PVDF (with carbon additive)	67 Kg Temp. 3°C min. 95°C max
---------------------------------------	-------------------------------------



Boxer 503



Specifications and types



Zone 2 - Zone 22
Zone 1 - Zone 21
Zone 1 - Zone 21
Zone M2
IECEX

II 3G Ex h IIB T4 Gc e II 3D Ex h IIIB T135°C Dc X
II 2G Ex h IIB T4 Gb e II 2D Ex h IIIB T135°C Db X
II 2G Ex h IIC T4 Gb
I M2 Ex h I Mb X *
Ex h IIB T4 Gb e Ex h IIIB T135°C Db

** The Group IIC gas application string is applicable on Boxer series pumps in Conduct version with Conductive TFM diaphragms.
* The mining application string does not apply to aluminium pumps in the Boxer range.



METAL MATERIAL - ALU

Boxer 503



Maximum dimensions

Height	806 mm
Width	580 mm
Depth	404 mm



Construction mat. (casing and manifolds) and net weight

ALU	66 Kg
	Temp. 3°C min.
	95°C max



METAL MATERIAL - AISI 316

Boxer 503



Maximum dimensions

Height	826 mm
Width	546 mm
Depth	404 mm



Construction mat. (casing and manifolds) and net weight

AISI 316	71 Kg
	Temp. 3°C min.
	95°C max

FDA BOXER 503



METAL MATERIAL - AISI 316 L

FDA Boxer 503



Maximum dimensions

Height	840 mm
Width	546 mm
Depth	403 mm



Construction mat. (casing and manifolds) and net weight

AISI 316 (electropolished)	71 Kg
	Temp. 3°C min.
	95°C max

Boxer 503

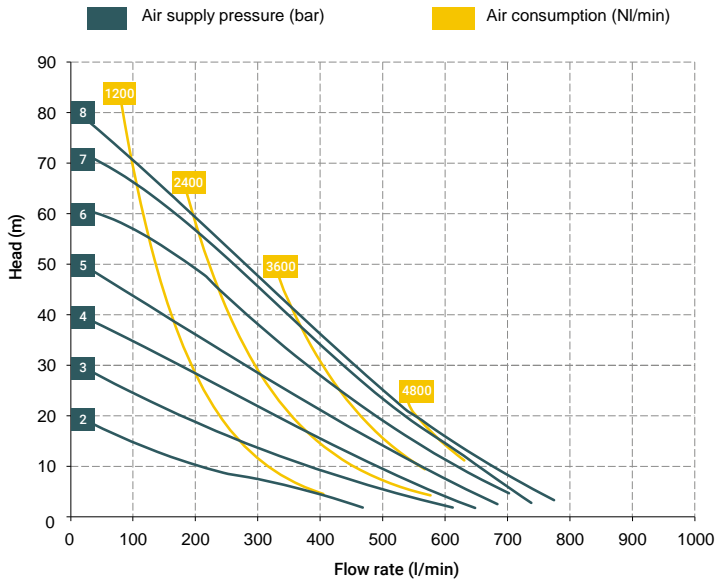


Specifications and types

Zone 2 - Zone 22
 Zone 1 - Zone 21
 Zone 1 - Zone 21
 Zone M2
 IECEX

II 3G Ex h IIB T4 Gc e II 3D Ex h IIB T135°C Dc X
 II 2G Ex h IIB T4 Gb e II 2D Ex h IIB T135°C Db X
 II 2G Ex h IIC T4 Gb
 I M2 Ex h I Mb X *
 Ex h IIB T4 Gb e Ex h IIB T135°C Db

** The Group IIC gas application string is applicable on Boxer series pumps in Conduct version with Conductive TFM diaphragms.
 * The mining application string does not apply to aluminium pumps in the Boxer range.



* The curves and performances refer to pumps with immersed suction and open delivery outlet with water at 20 °C and vary according to the composition materials.

BOXER 503 (PP):

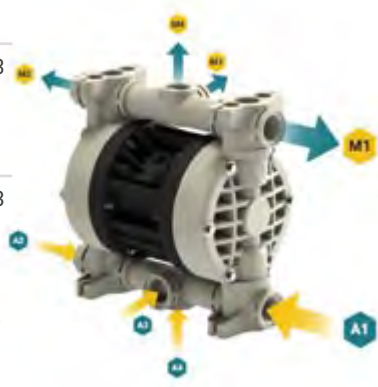
A1 - A2 - A3 - A4 - M1 - M2 - M3 - M4

BOXER 503 (PVDF):

A1 - A2 - A3 - A4 - M1 - M2 - M3 - M4

Standard fittings:

- Suction: A1
- Delivery: M1



BOXER 503 (INOX):

A3 - M3

BOXER 503 (ALU):

A3 - M3

Standard fittings:

- Suction: A3
- Delivery: M3



T40 distributor material (compressed air circuit)

- POM

Core material

- Polypropylene (with glass filler)
- Conductive polypropylene (with carbon filler)
- Aluminium

Diaphragm materials

- PTFE
- HYTREL®
- SANTOPRENE
- NBR
- EPDM

Cap materials

- Polypropylene (with glass filler)
- Conductive polypropylene (with carbon filler)
- PVDF
- Aluminium
- AISI 316 L

Ball materials

- PTFE
- AISI 316 L
- EPDM
- NBR

O-ring materials

- EPDM
- NBR
- VITON®
- PTFE

Packaging

Wooden crate - 83 x 70 x 52 cm - weight 25 Kg (PP, PP+CF, PP+PVDF)
(the weight refers only to the packaging without the pump inside)

Wooden crate - 93 x 68 x 51 cm - weight 25 Kg (ALU)
(the weight refers only to the packaging without the pump inside)

Wooden crate - 94 x 63 x 51 cm - weight 24 Kg (AIS1316)
(the weight refers only to the packaging without the pump inside)

Accessories

- Equaflux 303 (For damper materials, please refer to the technical data sheet)
- Basket filter in Polypropylene or PVDF with G 3" f/f fittings
- Foot valve
- Air regulation W8000-20-G
- Stroke counter
- Reinforcement rings
- Flange kit (DIN flanges - ANSI on request)

Any colour variations in our polypropylene and PVDF products are due to the special blends of the raw materials used. The use of high levels of glass and long-fiber carbon filler result in a unique colour that does not in any way affect the quality of the product; on the contrary, it points to the high level of content used to ensure outstanding performance.

Boxer 503



Specifications and types



Zone 2 – Zone 22
 Zone 1 – Zone 21
 Zone 1 – Zone 21
 Zone M2
 IECEX

II 3G Ex h IIB T4 Gc e II 3D Ex h IIIB T135°C Dc X
 II 2G Ex h IIB T4 Gb e II 2D Ex h IIIB T135°C Db X
 II 2G Ex h IIC T4 Gb
 I M2 Ex h I Mb X *
 Ex h IIB T4 Gb e Ex h IIIB T135°C Db

** The Group IIC gas application string is applicable on Boxer series pumps in Conduct version with Conductive TFM diaphragms.
 * The mining application string does not apply to aluminium pumps in the Boxer range.

BOXER PUMPS CODES ENCODING

ex. IB503-P-HTTPV-
 Internal distributor, Boxer 503, body PP, air-side diaph. Hytrel®, product-side diaph. PTFE, AISI 316 L balls, PP ball seats, EPDM O-Ring.

IB07-	P	H	T	T	P	V	-	-
PUMP MODEL	PUMP BODY	AIR-SIDE DIAPHRAGM	FLUID-SIDE DIAPHRAGM	BALLS	BALL SEATS	O-RING	MANIFOLD	VERSION
IB07 - Boxer 07	P - PP	N - NBR	T - PTFE	T - PTFE	P - Polypropylene	D - EPDM	X*	C*
IB15 - Boxer 15	PC - PP+CF	D - EPDM		A - AISI 316 L	F - PVDF	V - Viton®	3*	Z*
IMICR - Microboxer	FC - PVDF+CF	H - Hytrel®		D - EPDM	A - AISI 316 L	N - NBR	Y*	
IB35 - Boxer 35	A - AISI 316 (L)	M - Santoprene®		N - NBR	I - PE-UHMW	T - PTFE	W*	
IB50 - Boxer 50	AL - ALU				R - PPS		K*	
IMIN - Miniboxer					L - Aluminium			
IB81 - Boxer 81								
IB90 - Boxer 90								
IB100 - Boxer 100								
IB150 - Boxer 150								
IB251 - Boxer 251								
IB252 - Boxer 252								
IB522 - Boxer 522								
IB502 - Boxer 502								
IB503 - Boxer 503								

Example table, for the table with the complete codes please contact the Debem sales department.



*X = split manifold
 *3 = 3rd hole on the manifold
 *Y = manifold with NPT fitting
 *W = clamp manifold
 *K = manifold with reinforcement rings (all on request only)

C = CONDUCT version for ATEX ZONE 1
 Z = Version for IECEX Standard



Self priming



Under head