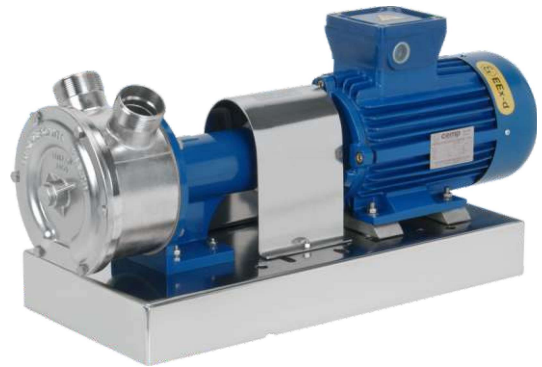




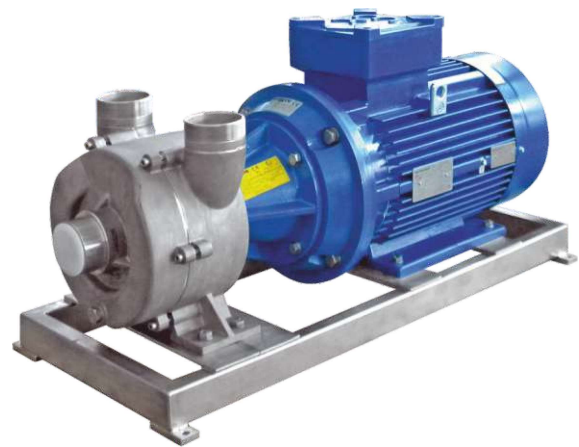
GR ADPE SPECIAL Bronzo



GR ADPE SPECIAL Inox



GR ADPE SPECIAL con carrello



GR ADPE NAUTIC 80 Inox

GRUPPI MONOFASE (MF) O TRIFASE (TF) - 50 Hz / SINGLE-PHASE (MF) OR THREE PHASE (TF) GROUPS - 50 Hz

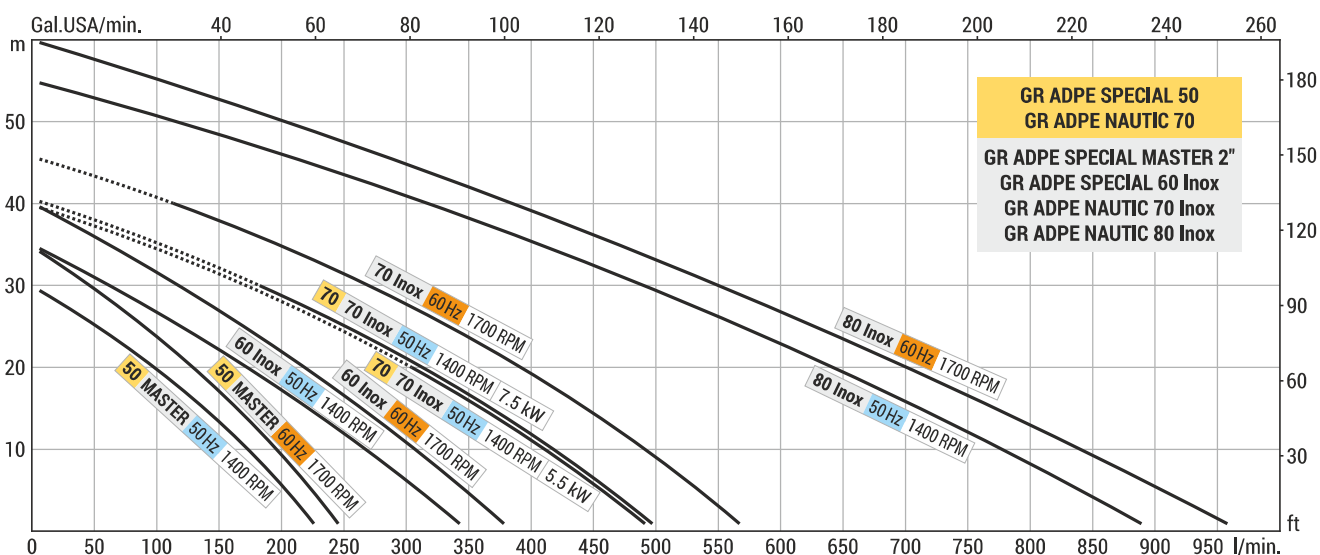
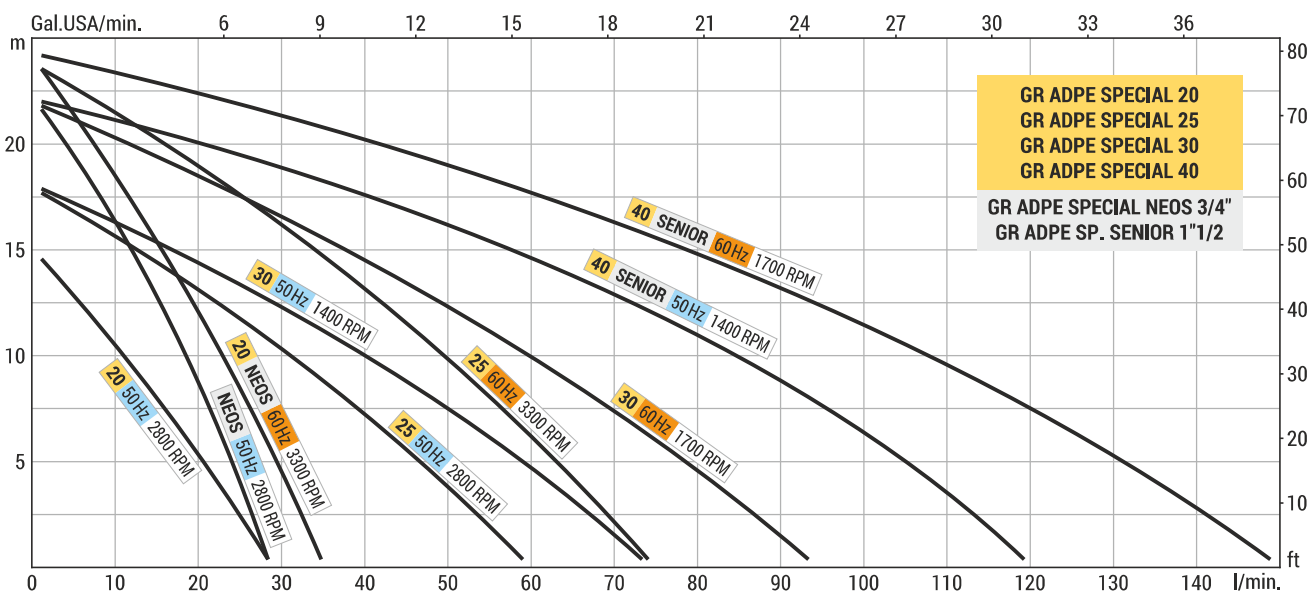
Modello Type	Materiale corpo Body material	Materiale girante Impeller material	Motore Motor		Hz	kW	Giri/min. RPM	H = Prevalenza (m) / Head (m) - Q = Portata (l/min.) / Capacity (l/min.)											H				
			TF*	MF*				0	5	10	15	18	22	30	35	40	55						
GR ADPE SPECIAL 20	Bronzo Bronze	Bronzo Bronze	TF* 400V	MF* 230V	50	0.25	2800	29	20	10	0												Q
GR ADPE SPECIAL 25	Bronzo Bronze	Bronzo Bronze	TF* 400V	MF* 230V	50	0.55	2800	60	47	30	12	0											
GR ADPE SPECIAL 30	Bronzo Bronze	Bronzo Bronze	TF* 400V	MF* 230V	50	0.75	1400	75	60	40	15	0											
GR ADPE SPECIAL 40	Bronzo Bronze	Bronzo Bronze	TF* 400V	MF* 230V	50	0.75	1400	120	105	85	62	45	0										
GR ADPE SPECIAL 50	Bronzo Bronze	Bronzo Bronze	TF* 400V	MF* 230V	50	1.5	1400	230	205	175	140	120	80	0									
GR ADPE NAUTIC 70	Bronzo Bronze	Bronzo Bronze	TF* 400V		50	5.5 7.5	1400 1400	500	455	415	365	330	280	165	90	0							
GR ADPE SPECIAL NEOS 3/4"	Inox AISI 316 S.S. AISI 316	Bronzo Bronze	TF* 400V	MF* 230V	50	0.25	2800	29	25	18	13	8	0										
GR ADPE SPECIAL SENIOR 1"1/2	Inox AISI 316 S.S. AISI 316	Bronzo Bronze	TF* 400V	MF* 230V	50	0.75	1400	120	105	85	62	45	0										
GR ADPE SPECIAL MASTER 2"	Inox AISI 316 S.S. AISI 316	Bronzo Bronze	TF* 400V	MF* 230V	50	1.5	1400	230	205	175	140	120	80	0									
GR ADPE SPECIAL 60 Inox 2"	Inox AISI 316 S.S. AISI 316	Inox AISI 316 S.S. AISI 316	TF* 400V		50	4.0	1400	350	310	265	220	190	150	60	0								
GR ADPE NAUTIC 70 Inox	Inox AISI 316 S.S. AISI 316	Bronzo Bronze	TF* 400V		50	5.5 7.5	1400 1400	500	455	415	365	330	280	165	90	0							
GR ADPE NAUTIC 80 Inox	Inox AISI 316 S.S. AISI 316	Inox AISI 316 S.S. AISI 316	TF* 400V		50	15.0	1400	900	840	780	720	660	620	500	410	310	0						

* TF = trifase - MF = monofase / TF = three phase - MF = single phase

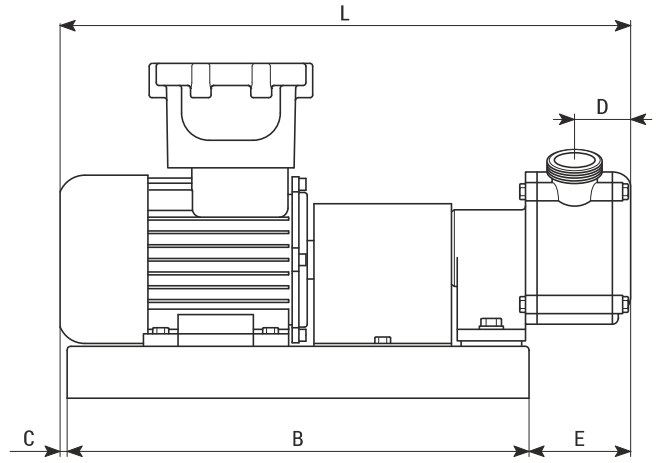
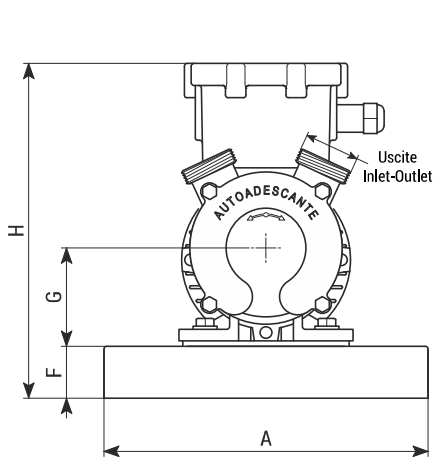
GRUPPI MONOFASE (MF) O TRIFASE (TF) - 60 Hz / SINGLE-PHASE (MF) OR THREE PHASE (TF) GROUPS - 60 Hz

Modello Type	Materiale corpo Body material	Materiale girante Impeller material	Motore Motor		Hz	kW	Giri/min. RPM	H = Prevalenza (m) / Head (m) - Q = Portata (l/min.) / Capacity (l/min.)															
								0	5	10	15	22	24	35	40	45	55	60	H				
GR ADPE SPECIAL 20	Bronzo	Bronzo	MF* 230V	TF* 400V	60	0.31	3300	36	31	25	17	4	0										
GR ADPE SPECIAL 25	Bronzo	Bronzo	MF* 230V	TF* 400V	60	0.67	3300	75	62	47	30	5	0										
GR ADPE SPECIAL 30	Bronzo	Bronzo	MF* 230V	TF* 400V	60	0.90	1700	95	78	60	37	0											
GR ADPE SPECIAL 40	Bronzo	Bronzo	MF* 230V	TF* 400V	60	1.10	1700	150	130	107	80	25	0										
GR ADPE SPECIAL 50	Bronzo	Bronzo	MF* 230V		60	2.23	1700	250	225	200	165	115	100	0									
			TF* 400V		60	2.60	1700																
GR ADPE NAUTIC 70	Bronzo	Bronzo	TF* 400V		60	9.0	1700	570	530	490	440	360	340	190	100	0							
GR ADPE SPECIAL NEOS 3/4"	Inox AISI 316 S.S. AISI 316	Bronzo	MF* 230V	TF* 400V	60	0.31	3300	36	31	25	17	4	0										
GR ADPE SPECIAL SENIOR 1"1/2"	Inox AISI 316 S.S. AISI 316	Bronzo	MF* 230V	TF* 400V	60	1.10	1700	150	130	107	80	25	0										
GR ADPE SPECIAL MASTER 2"	Inox AISI 316 S.S. AISI 316	Bronzo	MF* 230V		60	2.23	1700	250	225	200	165	115	100	0									
			TF* 400V		60	2.60	1700																
GR ADPE SPECIAL 60 Inox 2"	Inox AISI 316 S.S. AISI 316	Inox AISI 316 S.S. AISI 316	TF* 400V		60	4.80	1700	385	350	310	270	210	190	80	0								
GR ADPE NAUTIC 70 Inox	Inox AISI 316 S.S. AISI 316	Bronzo	TF* 400V		60	9.00	1700	570	530	490	440	360	340	190	100	0							
GR ADPE NAUTIC 80 Inox	Inox AISI 316 S.S. AISI 316	Inox AISI 316 S.S. AISI 316	TF* 400V		60	18.0	1700	970	910	850	770	670	640	470	380	290	100	0					

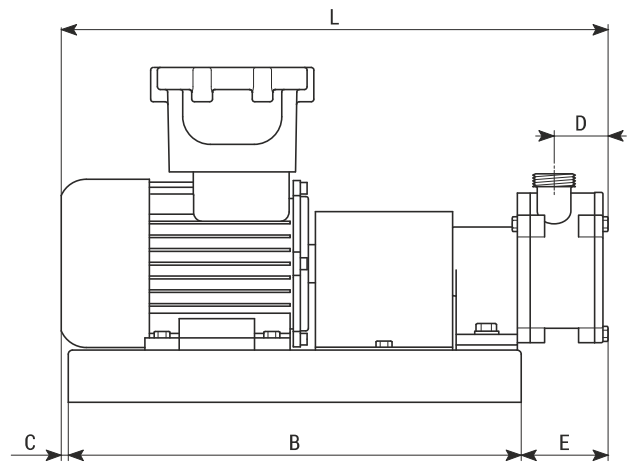
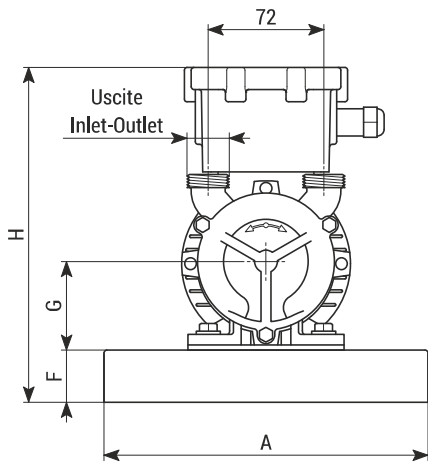
* TF = trifase - MF = monofase / TF = three phase - MF = single phase



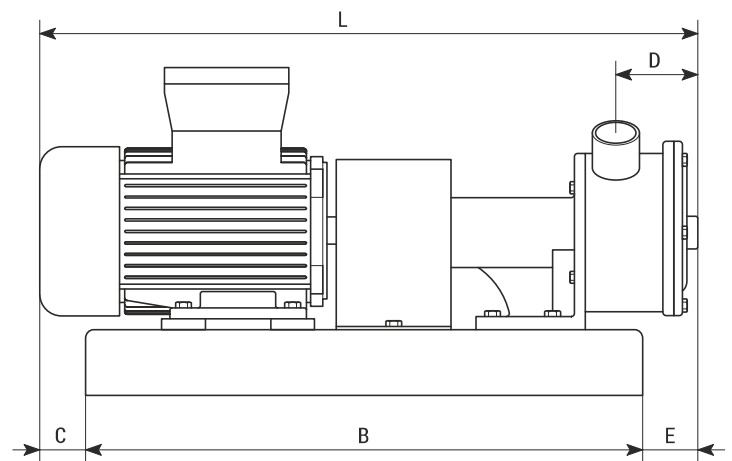
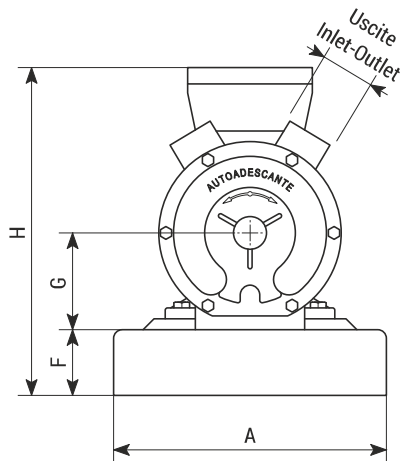
**GR ADPE
SPECIAL
20 - 25**



**GR ADPE
SPECIAL
NEOS 3/4"**



**GR ADPE
SPECIAL
30 - 40 - 50
SENIOR 1 1/2
MASTER 2"**



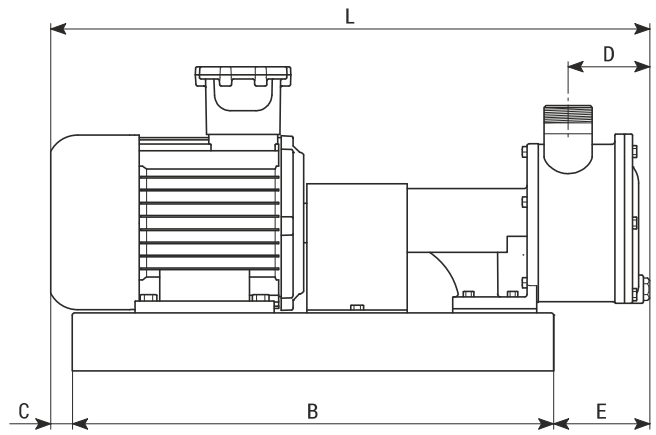
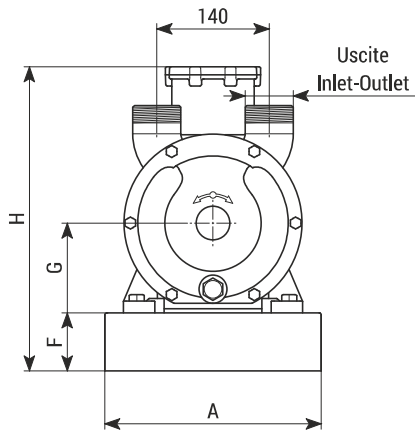
Tipo Type	Peso Weight	Uscite Inlet-Outlet	Raccordi Pipe fittings	Dimensioni (mm) / Dimensions (mm)									
				A	B	C	D	E	F	G	H	L	
GR ADPE SPECIAL 20	8.7 kg	BSP-M 3/4"	Ø20	236	330	55,4	35	55,6	38	63	245	441	
GR ADPE SPECIAL 25	12.7 kg	BSP-M 1"	Ø25	236	330	44,5	38,3	71,2	38	71	258	445,7	
GR ADPE SPECIAL 30	24.5 kg	BSP-M 1 1/4"	Ø30	270	600	-	52	4,6	72,5	90	332	605	
GR ADPE SPECIAL 40	26.0 kg	BSP-M 1 1/2"	Ø40	270	600	-	66	28	72,5	90	332	628	
GR ADPE SPECIAL 50	34.4 kg	BSP-M 2"	Ø50	270	600	39	90	62	72,5	107	335	701	
GR ADPE SPECIAL NEOS 3/4"	10.0 kg	BSP-M 3/4" *	Ø20 **	236	330	12	34	55	38	63	241	397	
GR ADPE SPECIAL SENIOR 1 1/2"	25.8 kg	BSP-M 1 1/2" *	Ø40 **	270	600	-	75,3	34	72,5	89	332	635	
GR ADPE SPECIAL MASTER 2"	36.1 kg	BSP-M 2" *	Ø50 **	270	600	39	91	61	72,5	107	305	700	

* = Uscite standard BSP (Gas), altre uscite disponibili p.30 / Standard inlet-outlet BSP (Gas), different inlet-outlet are available see p.30

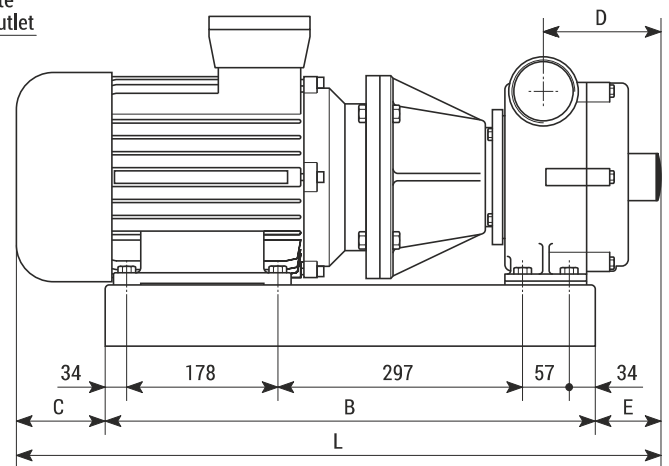
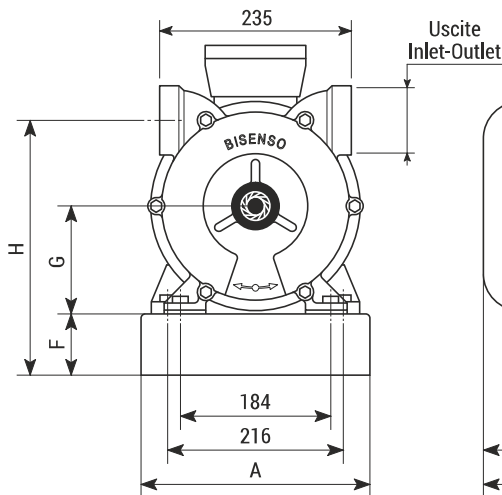
** = Raccordi in acciaio inox o nylon a richiesta / Stainless steel or nylon pipe fittings on request

n.d. = Raccordi non disponibili / Pipe fittings not available

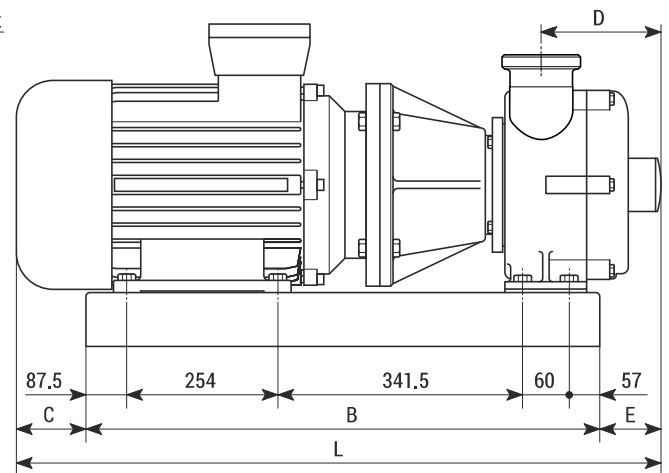
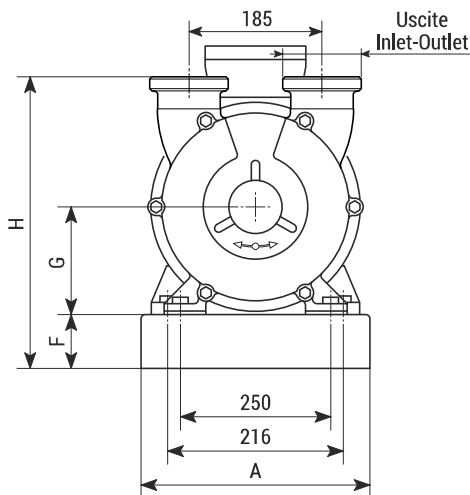
**GR ADPE SPECIAL
60 Inox 2"**



**GR ADPE NAUTIC
70 - 70 Inox**



**GR ADPE NAUTIC
80 Inox**



Tipo Type	Peso Weight	Uscite Inlet-Outlet	Raccordi Pipe fittings	Dimensioni (mm) / Dimensions (mm)								
				A	B	C	D	E	F	G	H	L
GR ADPE NAUTIC 70 (5.5 kW)	77.5 kg	BSP-F 2"1/2	n.d.	270	600	100	146	81	72,5	132	310	781,5
GR ADPE NAUTIC 70 (7.5 kW)	91.5 kg	BSP-F 2"1/2	n.d.	270	600	115	146	81	72,5	132	310	796
GR ADPE SPECIAL 60 Inox	54.2 kg	BSP-F 2"1/2	n.d.	270	600	29	102	112	72,5	112	380	749
GR ADPE NAUTIC 70 Inox (5.5 kW)	77.1 kg	Garolla 70	n.d.	270	600	101	144	81	72,5	132	310	781,5
GR ADPE NAUTIC 70 Inox (7.5 kW)	91.1 kg	Garolla 70	n.d.	270	600	115	144	80	72,5	132	310	795
GR ADPE NAUTIC 80 Inox	175.3 kg	Garolla 80	n.d.	340	800	87	180	86	75	160	420	973

* = Uscite standard BSP (Gas), altre uscite disponibili p.30 / Standard inlet-outlet BSP (Gas), different inlet-outlet are available see p.30

** = Raccordi in acciaio inox o nylon a richiesta / Stainless steel or nylon pipe fittings on request

n.d. = Raccordi non disponibili / Pipe fittings not available