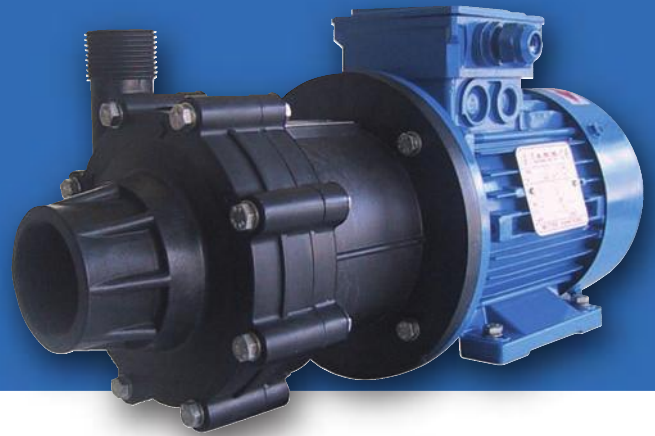


HTM PP/PVDF Thermoplastic mag drive centrifugal pumps

HTM PP/PVDF Pompe centrifughe a trascinamento magnetico in materiali termoplastici



FEATURES

Mag drive centrifugal pumps series HTM PP/PVDF are made of plastic materials (Polypropylene and PVDF) and are suitable for high corrosive liquids. Thanks to the innovative mag drive system, pumps model HTM PP/PVDF reduce the risks of losses and the maintenance costs. The transmission of the motion occurs through magnetic joints without using mechanical seals. This guarantees the maximum safety and efficiency. The pumped liquid has to be clean and without solids in suspension.

- **Materials available:** PP / PVDF;
- **Materials in contact with the liquid:**
Casing and impeller: PP/PVDF; O-ring: EPDM/VITON;
Static shaft: Al₂O₃; Bushing PTFEC;
- **Max flow:** 50 m³/h; **Max head** 32 mlc;
- **Temperature:** PP: max 70°C – PVDF: max 90°C;
- **Max viscosity:** 200 cSt;
- **Pressure rating:** NP 5 at 20°C;
- **High torque magnetic coupling NeFeBo standard;**
- **Suitable for high corrosive liquids.**

STANDARD

- **Gas threaded In and Out connections;**
- **Direct starting motor.**

OPTIONAL

- **Flanges available;**
- **Dry-running protection;**
- **Baseplate;**
- **Silicon carbide sleeve bearing.**

CARATTERISTICHE

Le pompe centrifughe a trascinamento magnetico serie HTM PP/PVDF sono realizzate in plastica (Polipropilene e PVDF) e sono adatte al pompaggio di liquidi altamente corrosivi. Grazie all'innovativo sistema a trascinamento magnetico le pompe HTM PP/PVDF riducono al minimo i rischi di perdite e i costi di manutenzione. La trasmissione del moto avviene infatti tramite giunti magnetici senza l'utilizzo di tenute meccaniche garantendo la massima sicurezza ed efficienza. Il liquido pompato deve necessariamente essere pulito, senza solidi in sospensione.

- **Materiali disponibili:** PP / PVDF;
- **Materiali a contatto con il liquido:**
Corpo e girante: PP/PVDF; O-ring EPDM/VITON;
Albero statico: Al₂O₃; Boccola rotante: PTFEC;
- **Portata fino a 50 m³/h; Prevalenza fino a 32 mcl;**
- **Temperatura massima di esercizio:**
PP: 70°C – PVDF: 90°C;
- **Viscosità massima:** 200 cSt;
- **Pressione nominale massima:** PN 5 a 20°C;
- **Elevata coppia magnetica NeFeBo standard;**
- **Adatte al pompaggio di liquidi altamente corrosivi.**

STANDARD

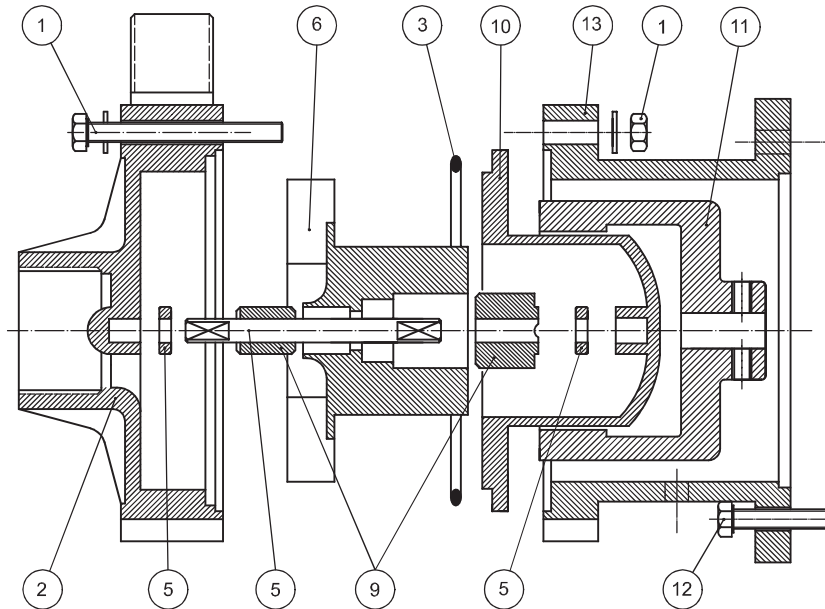
- **Attacchi aspirazione e mandata filettati gas;**
- **Avviamento diretto.**

OPTIONAL

- **Flange;**
- **Dispositivo contro la marcia a secco;**
- **Basamento;**
- **Boccola rotante in carburo di silicio.**

HTM 4 PP/PVDF

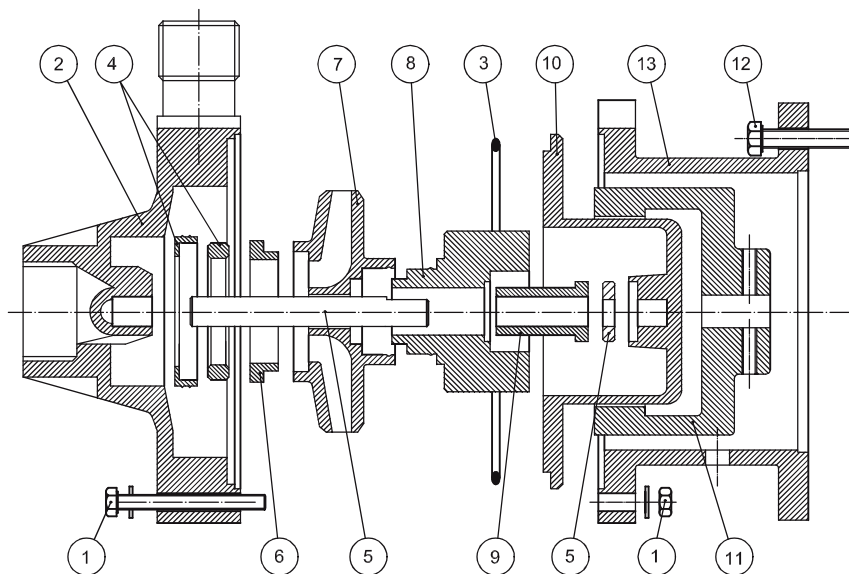
SECTION AND PARTS LIST - SEZIONE E LISTA PARTI



POS.	1	2	3	5	6	9	10	11	12	13
PART. DESCR.	SET SCREWS	PUMP HEAD	O - RING	SHAFT + RING	INTERNAL ROTATING KIT	BEARING	REAR CASING	EXTERNAL MAGNET	SCREWS	BRACKET
MATERIALS	AISI 304	PP PVDF	EPDM VITON	Al ₂ O ₃	PP PVDF	PTFEC	PP PVDF	C40 NeFeb	AISI 304	PP

HTM 6-10 PP/PVDF

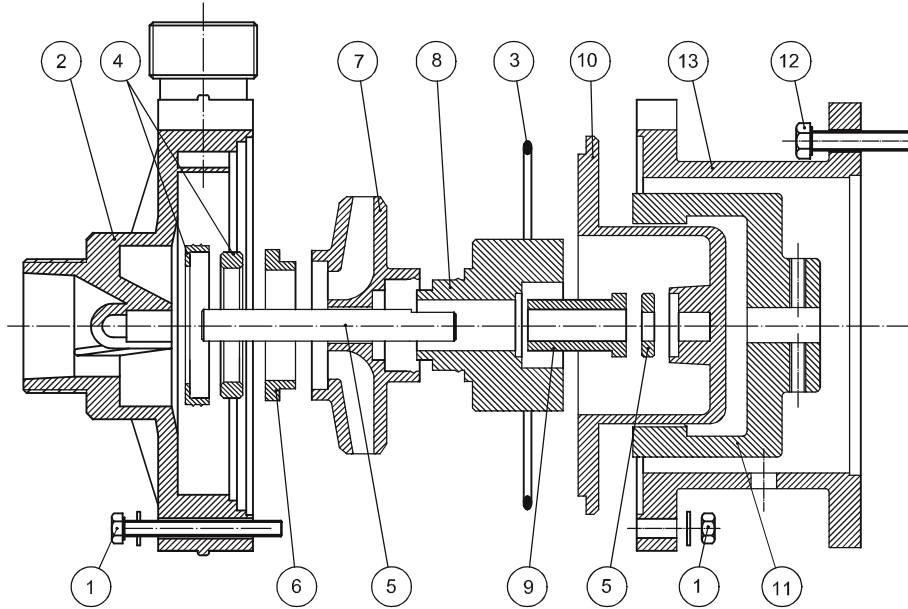
SECTION AND PARTS LIST - SEZIONE E LISTA PARTI



POS.	1	2	3	4	5	6	7	8	9	10	11	12	13
PART. DESCR.	SET SCREWS	PUMP HEAD	O - RING	CASING THRUST BUSH	SHAFT + RING	IMPELLER THRUST BEARING	IMPELLER	INT. MAGNET	BEARING	REAR CASING	EXT. MAGNET	SCREWS	BRACKET
MATERIALS	AISI 304	PP PVDF	EPDM VITON	Al ₂ O ₃ EPDM VITON	Al ₂ O ₃	PTFEC	PP PVDF	PP PVDF NeFeb	PTFEC	PP PVDF	C40 NeFeb	AISI 304	PP

HTM 15-31 PP/PVDF

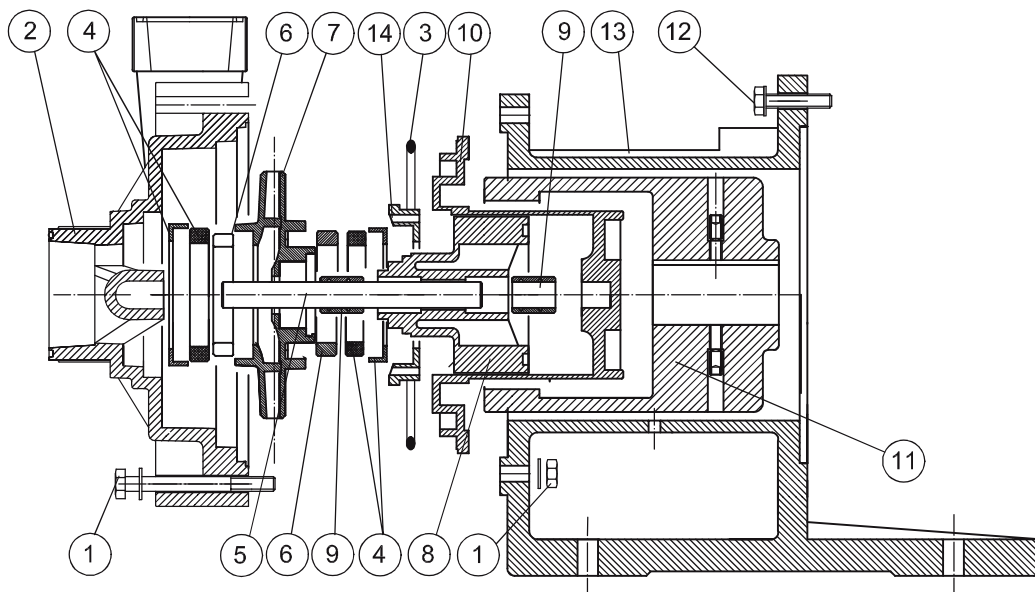
SECTION AND PARTS LIST - SEZIONE E LISTA PARTI



POS.	1	2	3	4	5	6	7	8	9	10	11	12	13
PART. DESCR.	SET SCREWS	PUMP HEAD	O - RING	CASING THRUST BUSH	SHAFT + RING	IMPELLER THRUST BEARING	IMPELLER	INT. MAGNET	BEARING	REAR CASING	EXT. MAGNET	SCREWS	BRACKET
MATERIALS	AISI 304	PP PVDF	EPDM VITON	Al ₂ O ₃ EPDM VITON	Al ₂ O ₃	PTFEC	PP PVDF	PP PVDF NeFeb	PTFEC	PP PVDF	C40 NeFeb	AISI 304	PP

HTM 40-50 PP/PVDF

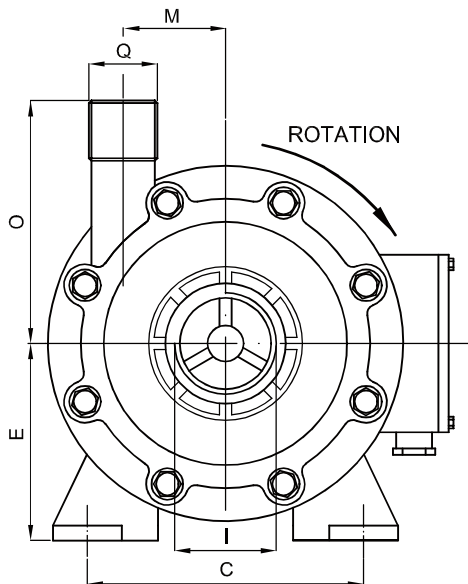
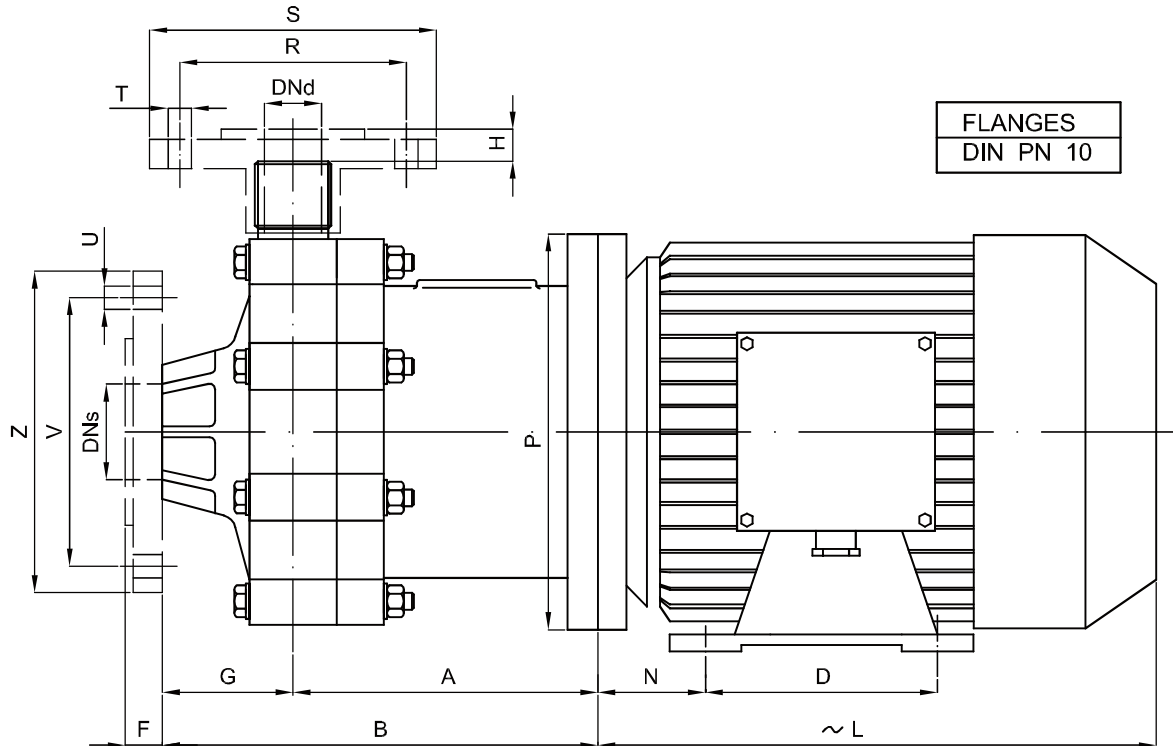
SECTION AND PARTS LIST - SEZIONE E LISTA PARTI



POS.	1	2	3	4	5	6	7	8	9	10	11	12	13	14
PART. DESCR.	SET SCREWS	PUMP HEAD	O - RING	CASING THRUST BUSH	SHAFT	IMPELLER THRUST BEARING	IMPELLER	INT. MAGNET	BEARING	REAR CASING	EXT. MAGNET	SCREWS	BRACKET	REAR SUPPORT
MATERIALS	AISI 304	PP PVDF	EPDM VITON	Al ₂ O ₃ EPDM VITON	Al ₂ O ₃	PTFEC	PP PVDF	PP PVDF NeFeb	PTFEC	PP PVDF	C40 NeFeb	AISI 304	ALUMINIUM	PP PVDF

HTM 4-6-10 PP/PVDF

DIMENSIONS - DIMENSIONI D'INGOMBRO



NOTE: PUMPS AVAILABLE THREADED OR FLANGED.
DIRECTION OF ROTATION IS COUNTER CLOCKWISE
AS SEEN WHEN FACING THE MOTOR.

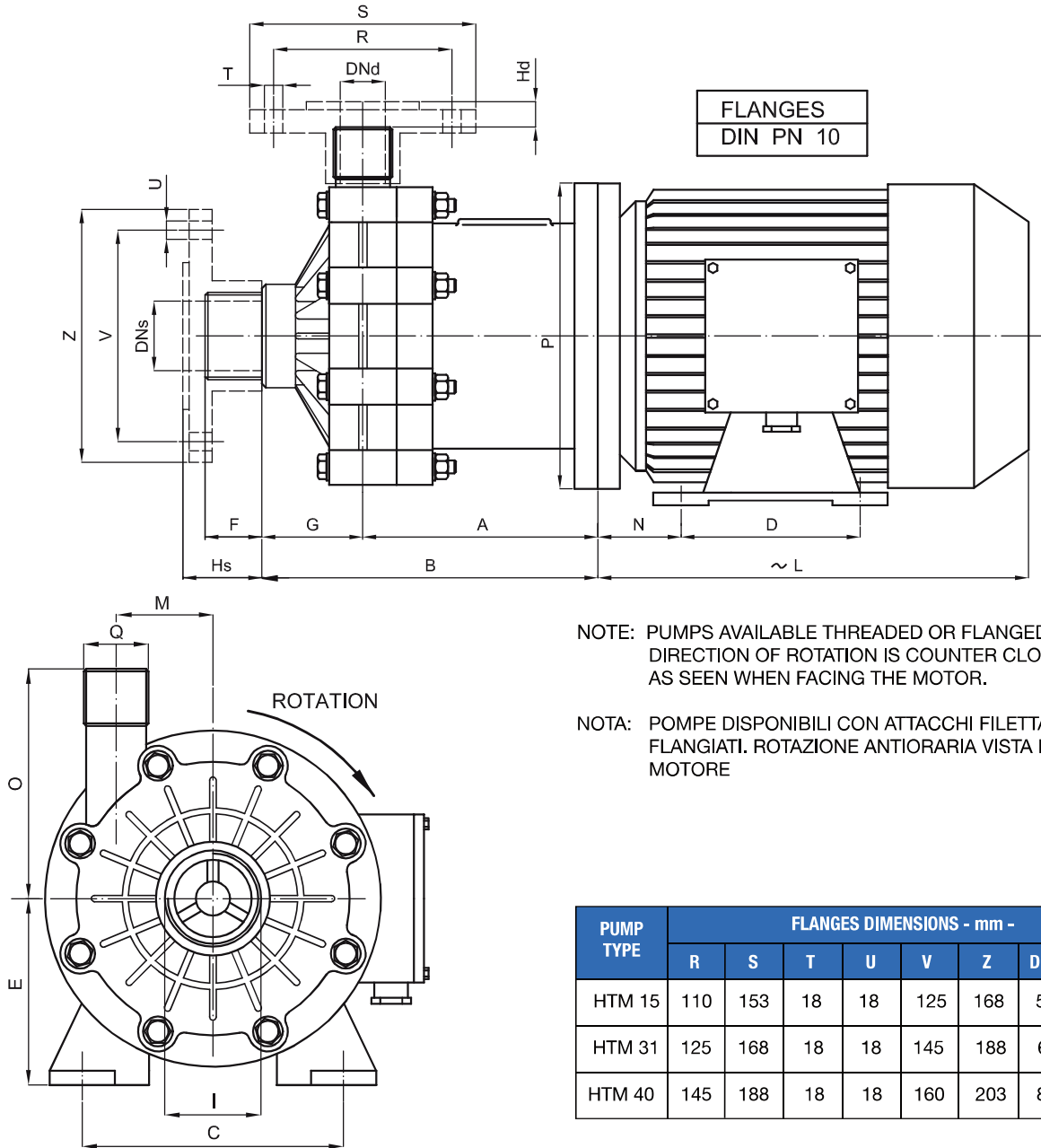
NOTA: POMPE DISPONIBILI CON ATTACCHI FILETTATI O
FLANGIATI. ROTAZIONE ANTIORARIA VISTA DAL
MOTORE

PUMP TYPE	FLANGES DIMENSIONS - mm -							
	R	S	T	U	V	Z	DNs	DNd
HTM 4	-	-	-	-	-	-	-	-
HTM 6	75	105	14	14	85	115	25	20
HTM 10	85	115	14	18	110	150	40	25

PUMP TYPE	MOTOR FLANGE B3 - B5	POT. kW	DIMENSIONS - mm -														
			A	B	C	D	E	F	G	H	I	~L	M	N	O	P	Q
HTM 4	G 56 B	0.12	76	115	90	71	56	-	39	-	1" FPT	176	34	36	80	120	1/2" FPT
HTM 6	G 63 B	0.25	84	143	100	80	63	18	59	10	1" FPT	191	45	40	98	140	3/4" FPT
HTM 10	G 71 B	0.55	110	180	112	90	71	20	70	9	1 1/2" FPT	215	45	45	100	160	1" FPT

HTM 15-31-40 PP/PVDF

DIMENSIONS - DIMENSIONI D'INGOMBRO



NOTE: PUMPS AVAILABLE THREADED OR FLANGED.
DIRECTION OF ROTATION IS COUNTER CLOCKWISE
AS SEEN WHEN FACING THE MOTOR.

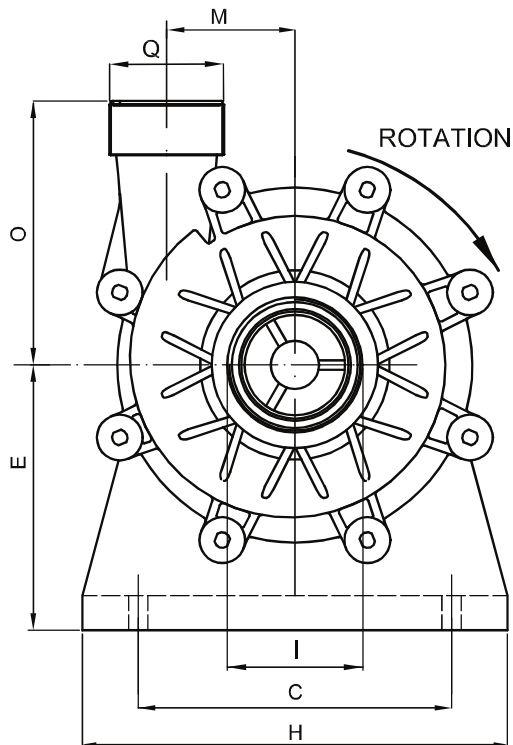
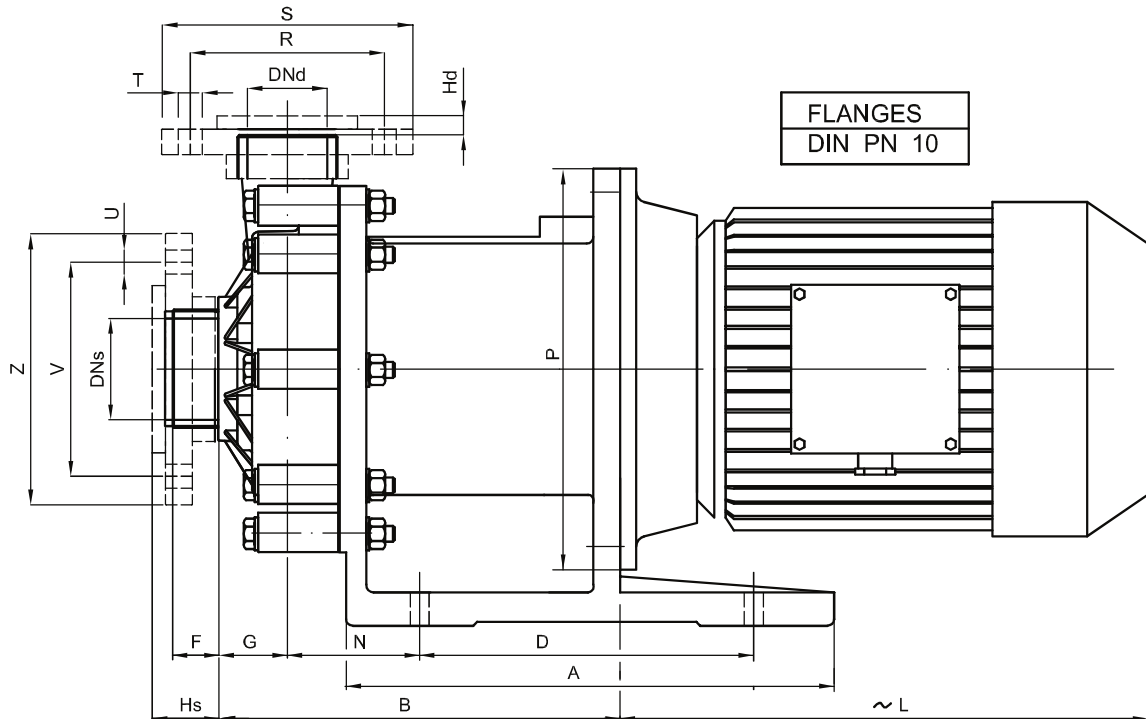
NOTA: POMPE DISPONIBILI CON ATTACCHI FILETTATI O
FLANGIATI. ROTAZIONE ANTIORARIA VISTA DAL
MOTORE

PUMP TYPE	FLANGES DIMENSIONS - mm -							
	R	S	T	U	V	Z	DNs	DNd
HTM 15	110	153	18	18	125	168	50	40
HTM 31	125	168	18	18	145	188	65	50
HTM 40	145	188	18	18	160	203	80	65

PUMP TYPE	MOTOR FLANGE B3 - B5	POT. kW	DIMENSIONS - mm -															
			A	B	C	D	E	F	G	Hs	Hd	I	~ L	M	N	O	P	Q
HTM 15	G 80 B	1,1	150	230	125	100	80	28	52	42	13	2"	236	66	50	135	200	1 1/2"
HTM 15	G 90 S	1,5	160	240	140	100	90	28	52	42	13	2"	256	66	56	135	200	1 1/2"
HTM 31	G 90 L	2,2	184	245	140	100	90	30	61	44	13	2 1/2"	256	66	56	140	200	2"
HTM 31	G 100 L	3	194	255	160	140	100	30	61	44	13	2 1/2"	315	66	63	140	250	2"
HTM 40	G 100 L	3	228	280	160	140	100	40	52	50	10	3"	315	82,5	63	180	250	2 1/2"
HTM 40	G 112 M	4	228	280	190	140	112	40	52	50	10	3"	325	82,5	70	180	250	2 1/2"

HTM 50 PP/PVDF

DIMENSIONS - DIMENSIONI D'INGOMBRO



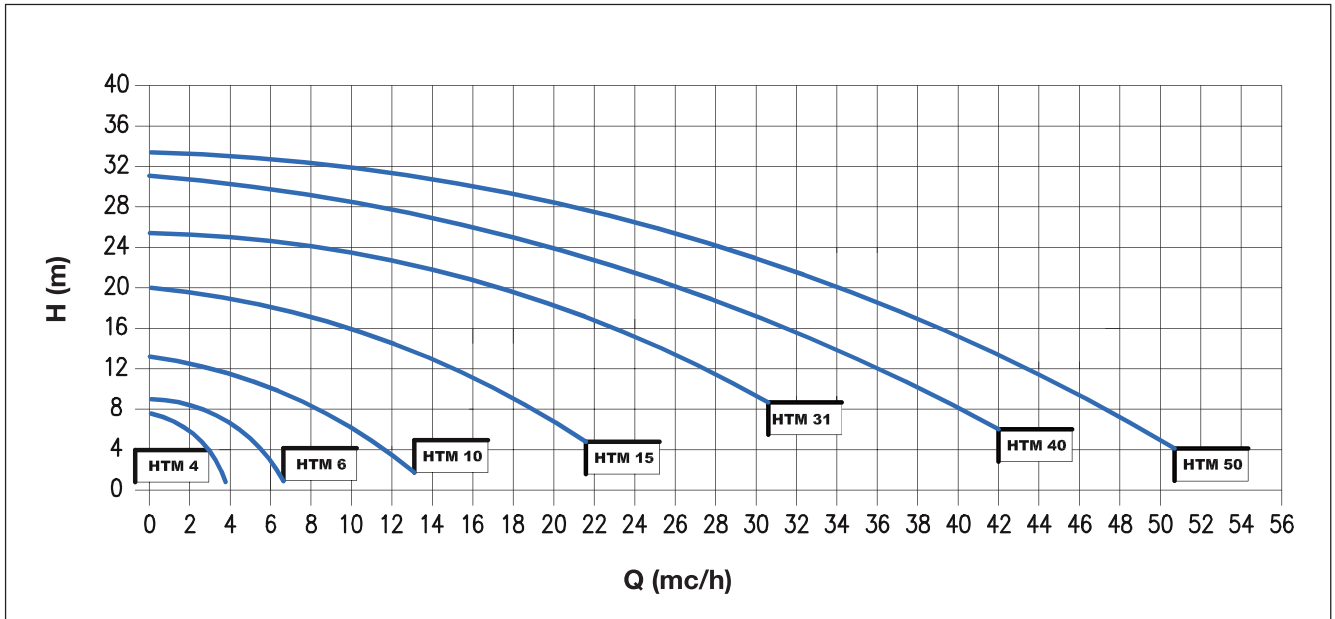
NOTE: DIRECTION OF ROTATION IS COUNTER CLOCKWISE AS SEEN WHEN FACING THE MOTOR.
PUMPS AVAILABLE THREADED OR FLANGED.

NOTA: ROTAZIONE ANTIORARIA VISTA DAL MOTORE.
POMPE DISPONIBILI CON ATTACCHI FILETTATI O FLANGIATI.

PUMP TYPE	FLANGES DIMENSIONS - mm -							
	R	S	T	U	V	Z	DNs	DNd
HTM 50	145	188	18	18	160	203	80	65

PUMP TYPE	MOTOR FLANGE B5	POT. kW	DIMENSIONS - mm -																
			A	B	C	D	E	F	G	H	Hs	Hd	I	~L	M	N	O	P	Q
HTM 50	G132 S	5,5	365	300	216	250	192	40	52	274	50	10	3" MALE	360	82,5	98	180	300	2 1/2" MALE
HTM 50	G132 M	7,5	365	300	216	250	192	40	52	274	50	10	3" MALE	400	82,5	98	180	300	2 1/2" MALE

HTM PP/PVDF CURVES - CURVE 2900 RPM



HTM PP/PVDF CURVES - CURVE 1450 RPM

