

HORIZONTAL CENTRIFUGAL PUMPS

MB 110

MADE IN ITALY 

- **Product of Italian origin**
- Available in PP-PVDF
- Below head use
- No welded seams
- Seal: available with mechanical bellows seal (316 STAINLESS STEEL spring - SILICON CARBIDE + CERAMIC / SILICON CARBIDE + SILICON CARBIDE sealing ring) or with lip seal (VITON or EPDM)
- Operation also possible with heavily soiled fluids, with solids in suspension
- Max. flow rate 20 m³/h
- Max head 15 m
- Open impeller Ø 130 mm x H 4 mm (Standard impeller, for any special design with reference to the pumped fluid contact DEBEM's technical support)
- Extremely easy maintenance
- Low cost of spare parts
- Viscosity up to 500 CPS
- OPERATING TEMPERATURES:
PP min. +3°C / max. +65°C
PVDF min. +3°C / max. +95°C
- Continuous operation: YES
- Warranty: 1 year, according to our general conditions of sale.
- Spare parts: to identify the spare parts check the exploded views provided at the end of the operation and maintenance manual.

MODEL	Kw MOTOR	HP	MOTOR SIZE	RPM	MOTOR SPECIFICATIONS
MB110	1,1	1,5	B3+B5	2900	THREE-PHASE 230 / 400 - 50 / 60 HZ 2 POLE (single phase motor available) efficiency class IE2 protection rating IP55 - Ambient temperature -30°C + 45°C / ATEX motor available

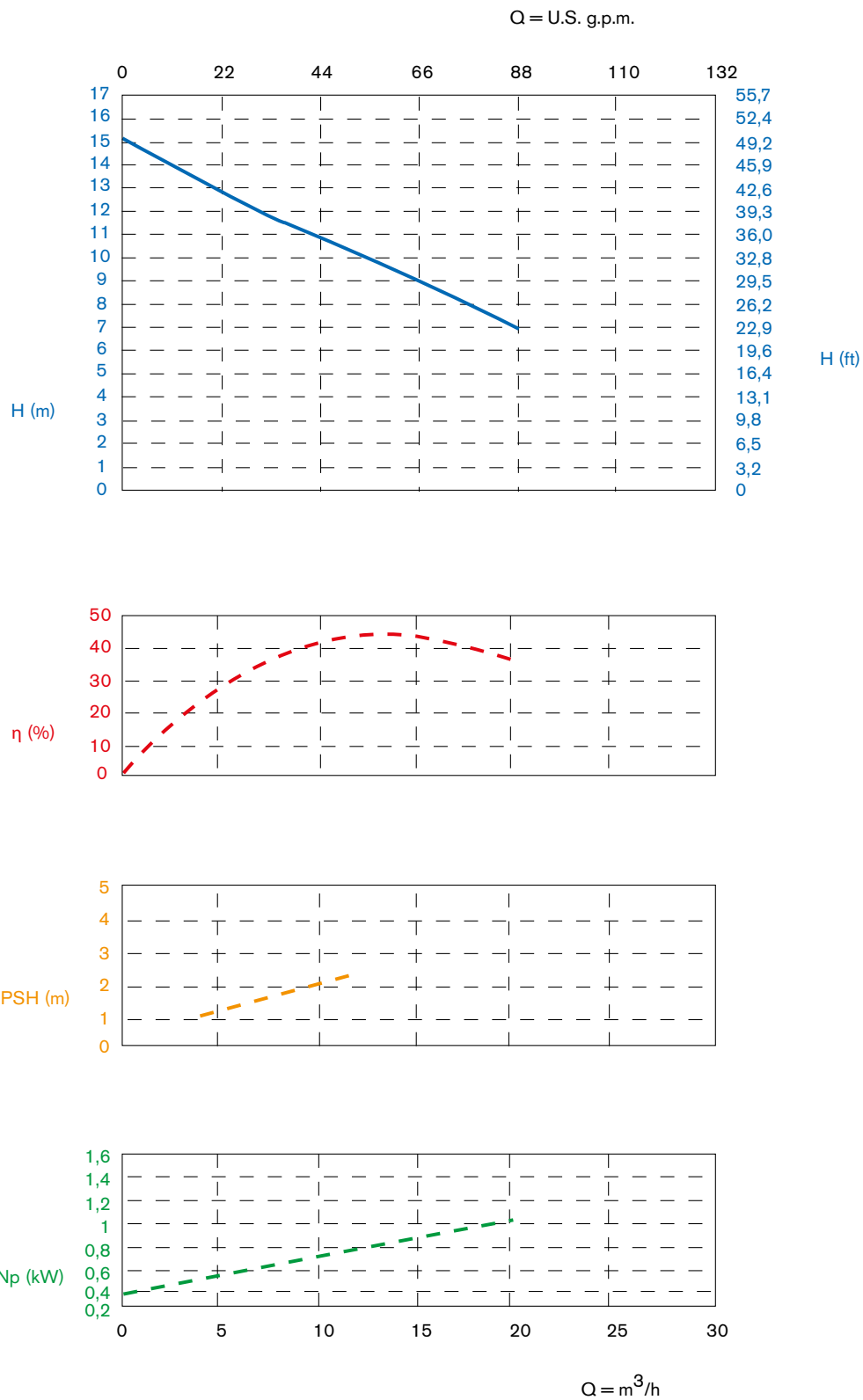
ATTENTION: technical data for standard motor, for any special design with reference to the pumped fluid contact DEBEM's technical support.



CE

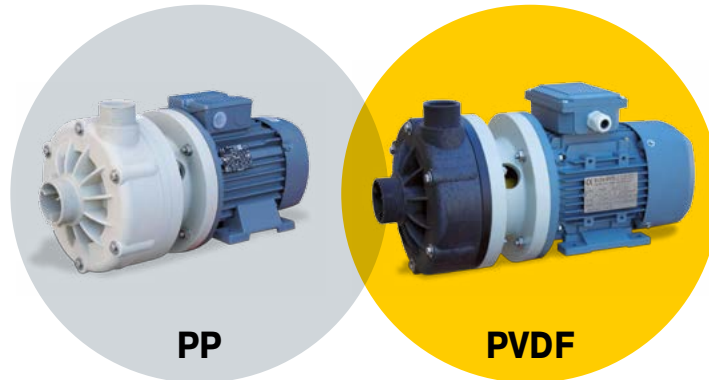
Intake connections G 2" m (or DN 50 on request)
Delivery connections G 1" 1/2 m (or DN 40 on request)
Max. flow rate 20 m³/h
Max. head 15 m
Construction materials PP - PVDF



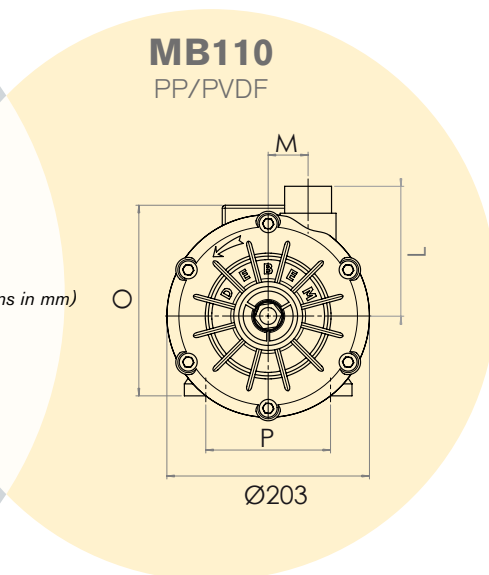
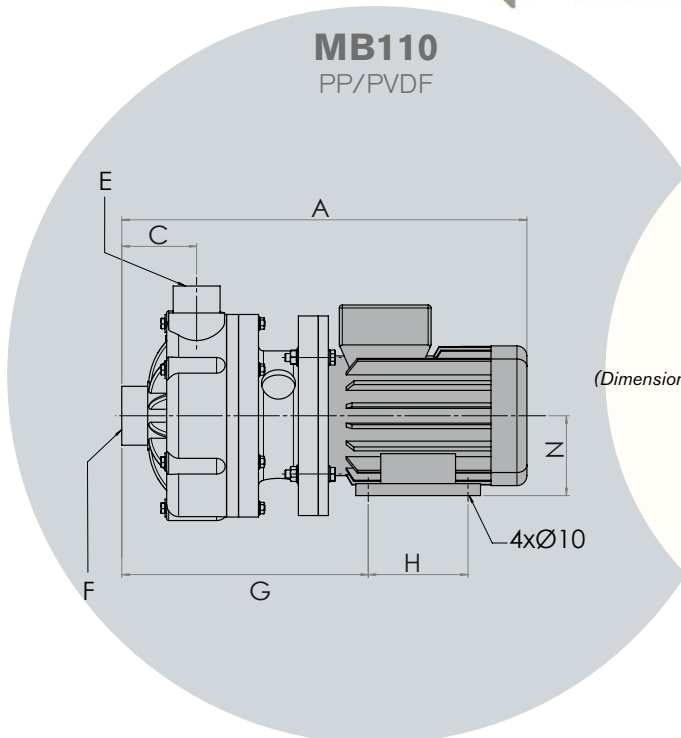
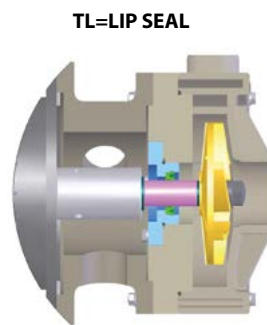
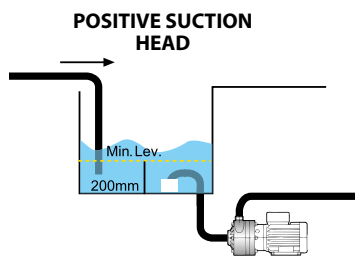


The curves and performance values refer to pumps spare delivery outlet and water at 20°C, 2 pole motor 50 Hz (2900rpm).

AVAILABLE MATERIAL



INSTALLATION



Packing: wooden case - 55 x 29 x 41 cm-weight 11 Kg
(the weight only refers to the packaging without the pump in it).

MODEL	SEAL	POWER	Ø PASSING SOLIDS	A	C	E	F	G	H	L	M	N	O	P	KG PP	KG PVDF
MB110	TL-TS	1.1 Kw 1.5 HP	2	406	75	G 1" 1/2 m o DN 40	G 2" m o DN 50	247	100	130	40	80	191	125	16	17

MB COMPOSITION CODE

ex. **MB110--P-TLVN**

MB 110 in PP, Viton lip seal, three-phase motor

MB110	P -	TLV	N
PUMP MODEL	PUMP MATERIAL	TYPE OF SEAL	MOTOR
MB110 - MB 110	P - Polypropylene FC - PVDF+CF	TLV - Viton lip seal TLD - EPDM lip seal TSV - Viton bellow seal TSD - EPDM bellow seal	N* - Three-phase motor M - Single-phase motor A - ATEX motor

* Standard motor is the three-phase induction type with European voltage (2-pole) 50Hz

PRODUCT APPLICATION

