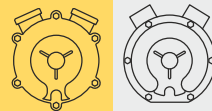


SPECIAL

POMPE SPECIAL SPECIAL PUMP TYPE



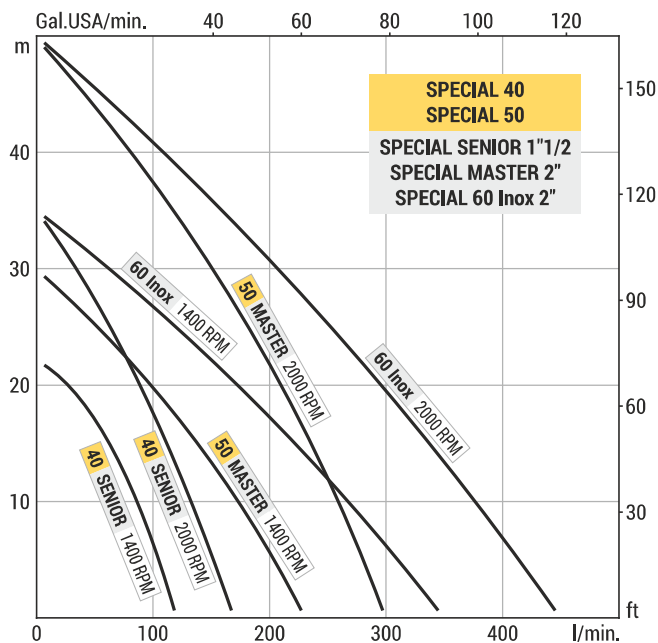
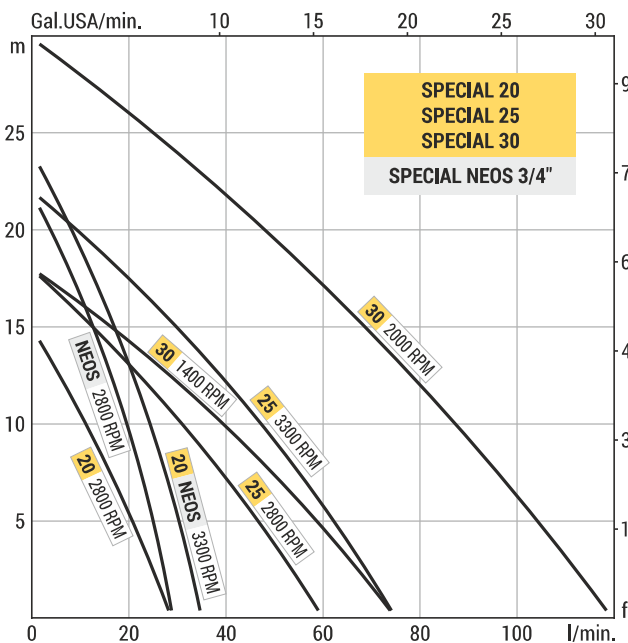
SPECIAL 20-25-30-40-50



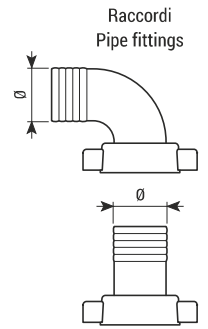
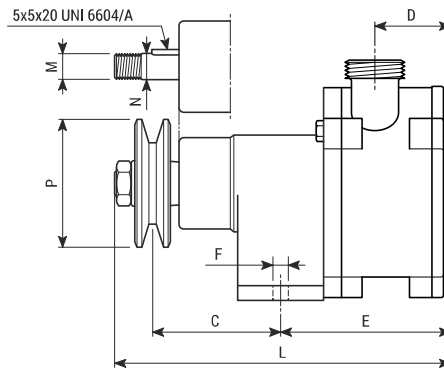
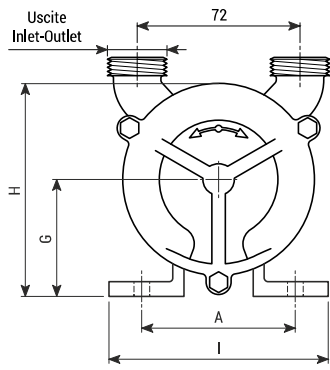
SPECIAL SENIOR 1 1/2-MASTER 2"

Modello Type	Materiale Material	Giri/minuto RPM	kW *	H = Prevalenza (metri) / Head (meters) - Q = Portata (litri/minuto) / Capacity (liters/minute)															
				0	5	10	12	15	18	20	22	24	30	35	40	45	50	H	
SPECIAL 20	Bronzo Bronze	standard	2800	0.25	29	20	10	6	0										
		max	3300	0.30	36	31	25	22	17	12	8	4	0						
SPECIAL 25	Bronzo Bronze	standard	2800	0.55	60	47	30	23	12	0									
		max	3300	0.75	75	62	47	40	30	18	9	0							
SPECIAL 30	Bronzo Bronze	standard	1400	0.75	75	60	40	30	15	0									
		max	2000	1.10	120	105	85	80	68	55	48	38	30	0					
SPECIAL 40	Bronzo Bronze	standard	1400	1.10	120	105	85	80	62	45	30	0							
		max	2000	1.85	170	150	133	125	110	100	90	80	70	35	0				
SPECIAL 50	Bronzo Bronze	standard	1400	1.85	230	205	175	160	140	120	95	80	60	0					
		max	2000	3.0	300	280	260	250	235	220	210	200	190	150	120	80	40	0	
SPECIAL NEOS 3/4"	Inox AISI 316 S.S. AISI 316	standard	2800	0.25	29	25	18	16	13	8	4	0							
		max	3300	0.30	36	31	25	22	17	12	8	4	0						
SPECIAL SENIOR 1 1/2"	Inox AISI 316 S.S. AISI 316	standard	1400	1.10	120	105	85	80	62	45	30	0							
		max	2000	1.85	170	150	133	125	110	100	90	80	70	35	0				
SPECIAL MASTER 2"	Inox AISI 316 S.S. AISI 316	standard	1400	1.85	230	205	175	160	140	120	95	80	60	0					
		max	2000	3.0	300	280	260	250	235	220	210	200	190	150	120	80	40	0	
SPECIAL 60 Inox 2"	Inox AISI 316 S.S. AISI 316	standard	1400	4.0	350	310	265	250	220	190	170	150	130	60	0				
		max	2000	5.5	450	415	375	360	335	315	295	280	260	210	160	110	55	0	

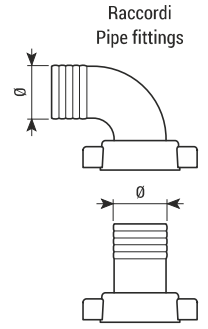
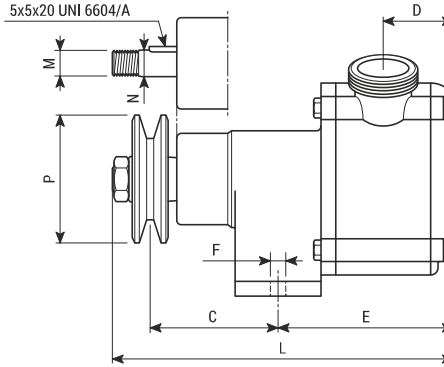
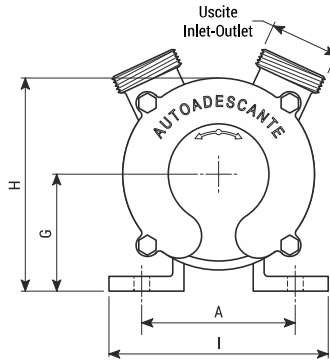
* = Potenza richiesta / Required power



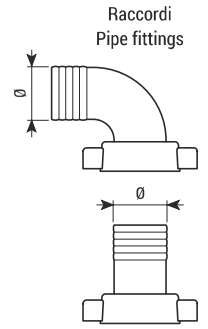
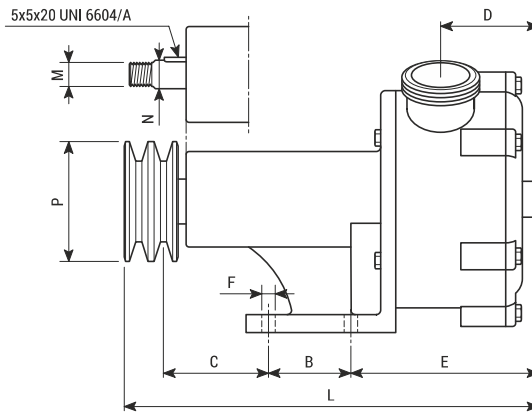
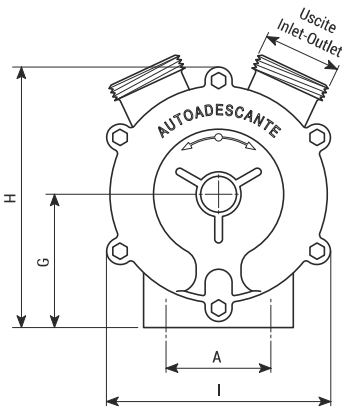
**SPECIAL
NEOS 3/4"**



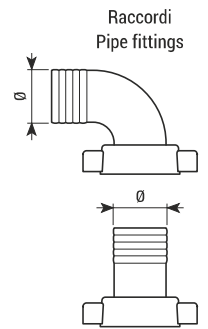
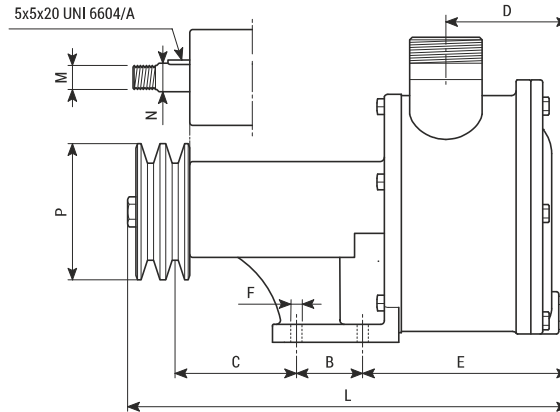
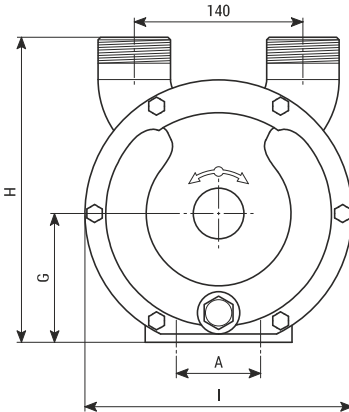
**SPECIAL
20-25**



**SPECIAL
30-40-50
SENIOR 1 1/2
MASTER 2"**



**SPECIAL
60 Inox 2"**



Tipo Type	Peso Weight	Uscite Inlet-Outlet	Raccordi Pipe fittings	Dimensioni (mm) / Dimensions (mm)												
				A	B	C	D	E	F	G	H	I	L	M	N	P
SPECIAL 20	2.0 kg	BSP-M 3/4"	Ø20	84	-	70	35	81	Ø8.5	58	100	120	172	M14x1.5	Ø14.5	Ø70x1A
SPECIAL 25	2.8 kg	BSP-M 1"	Ø25	84	-	70	40	98	Ø8.5	56	108	120	190	M14x1.5	Ø14.5	Ø70x1A
SPECIAL 30	5.6 kg	BSP-M 1 1/4	Ø30	70	55	64	50	103	Ø8.5	89	175	150	254	M16	Ø19	Ø70x1A
SPECIAL 40	7.3 kg	BSP-M 1 1/2	Ø40	70	55	64	67	128	Ø8.5	89	175	150	277	M16	Ø19	Ø80x2A
SPECIAL 50	12.5 kg	BSP-M 2"	Ø50	70	55	90	90	160	Ø9	107	210	185	330	M16	Ø19	Ø80x2A
SPECIAL NEOS 3/4"	1.8 kg	BSP-M 3/4" *	Ø20 **	84	-	70	34	80	Ø8.5	58	100	120	171	M14x1.5	Ø14.5	Ø70x1A
SPECIAL SENIOR 1 1/2	7.4 kg	BSP-M 1 1/2 *	Ø40 **	70	55	64	76	138	Ø8.5	89	175	167	287	M16	Ø19	Ø80x2A
SPECIAL MASTER 2"	12.6 kg	BSP-M 2" *	Ø50 **	70	55	90	94	160	Ø9	107	210	205	330	M16	Ø19	Ø80x2A
SPECIAL 60 Inox 2"	16.0 kg	BSP-M 2" *	Ø50 **	70	55	83.5	102	171	Ø9	107	258	222	349	M16	Ø19	Ø149x2B

rif. UNI 5266

* = Uscite standard BSP (Gas), altre uscite disponibili p.30 / Standard inlet-outlet BSP (Gas), different inlet-outlet are available see p.30

** = Raccordi in acciaio inox o nylon a richiesta / Stainless steel or nylon pipe fittings on request