



CASTLE PUMPS LTD

Your process delivered.

The UK Agent of...
azcuepumps



Datasheet

Wearing rings to improve pump efficiency and provide clearance between the casing and impeller, preventing their wear, meaning only the less costly wear rings need replacing

Back pull out design for easy maintenance - allows the internals to be removed without having to disconnect the pump from the pipework

Bearings **greased for life** with bearing replacement at 35,000 intervals

Can be supplied with a vacuum or electric **priming pump on request** for difficult suction conditions

Interchangeable spare parts with other Azcue models to reduce stock holding

Marine type approved by all classification societies e.g. Lloyds/ABS



Tropicalized motors as standard for operation up to 45°C, meaning the motor is designed to continue operating during higher than average temperatures

Separate shafts in pump head & motor - no need to replace entire pump and motor if the shaft wears

Long coupled to enable maintenance of pump head without removing the motor first

Additional bearing in the pump head to share the strain of operation and increase robustness

Manufactured in Spain with materials from own foundry

Compact and space saving vertical design ideal for installations with limited space

Series **VA-VB** Vertical Inline Centrifugal Pump

VA-VB Vertical Inline Centrifugal Pump – Long Coupled

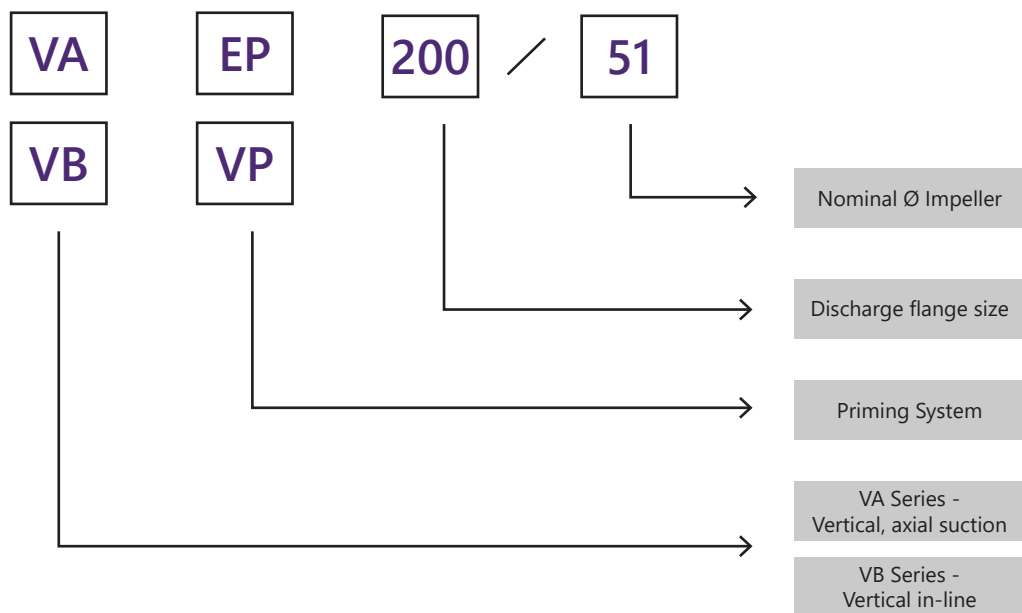


VB version for illustration purposes

Performance:


Max Flow rate	2000 m ³ /h
Max Pressure	190 M
Max Temperature	120°C
Sizes Available	DN150 - DN250 Outlet

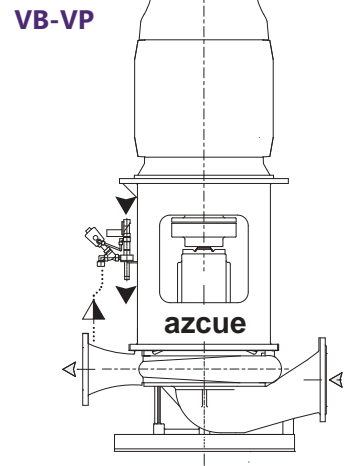
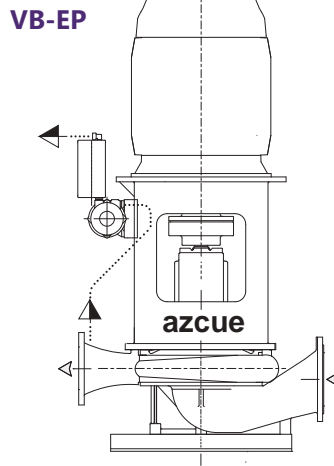
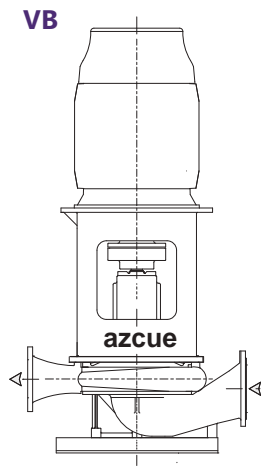
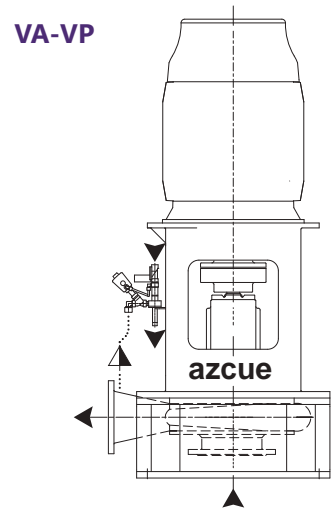
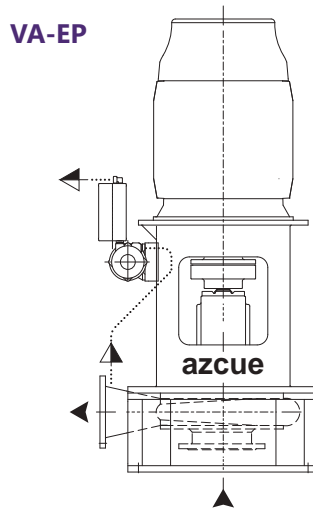
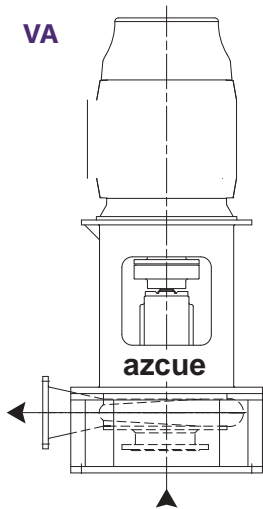
Description



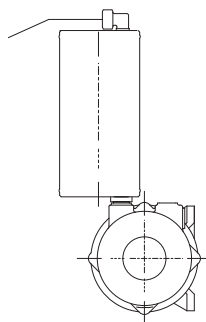
Vertical Inline Centrifugal Pumps

Available options -

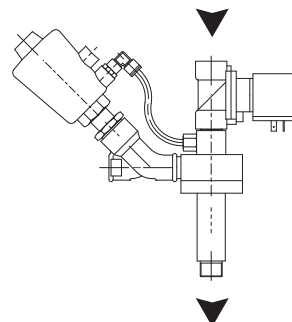
- VA - Bottom/Axial Suction
- VB - Inline Suction
- ATEX approved 
- Supplied with priming pump for difficult suction conditions
 - » Vacuum priming - better solution for long suction distances thanks to its ability to dry run for short periods of time
 - » Electric priming pump



**Priming Pump
EP**



**Ejector
VP**



Common Applications -

- Aquaculture
- Ballast
- Cooling
- Fire Fighting
- Fume Scrubber
- Irrigation
- Pressure Booster
- Sea Water Cooling
- Sea Water Injection
- Sea Water Service
- Water Circulating
- Water Transfer

Benefits -

- Manufactured in Spain by manufacturer with over 100 years' experience, using materials from their own foundry for complete control
- Marine type approved by all classification societies e.g. Lloyds/ABS for independent verification the pump meets quality standards
- VA has bottom suction and VB has inline suction for flexibility in terms of the installation space and pipework
- Compact and space saving vertical design making it ideal for installations which have limited space
- Long coupled to separate the pump head from the motor, so should the seal fail fluid is prevented from entering the motor and causing damage to this part
- Durable for continuous use thanks to additional bearings in the pump head to share the strain of operation, increasing its robustness
- Interchangeable spare parts with other Azcue models to reduce stock holding required
- Spares available for a minimum of 15 years after model discontinuation for long term servicing even if the pump is no longer produced
- Bearings are greased for life with long service intervals to reduce maintenance costs – bearings replaced at 25,000 hours
- Back pull out design for easy maintenance - allows the motor to be removed without disconnecting the pump
- Wearing rings to improve pump efficiency and provide clearance between the casing and impeller, preventing their wear, meaning only the less costly wear rings need replacing
- Separate shafts in pump head and motor - no need to replace entire pump and motor if shaft wears, saving costs
- Motors are tropicalized as standard for operation up to 45°C meaning the motor is designed continue operating during higher than average temperature
- ATEX approved version for hazardous environments

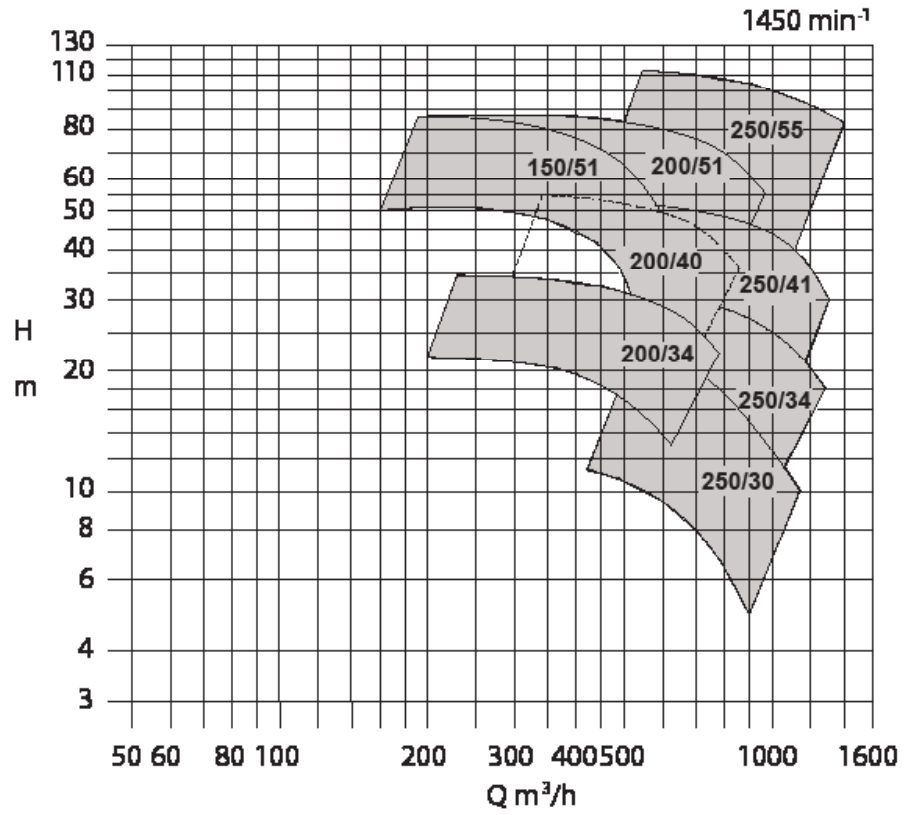


Materials

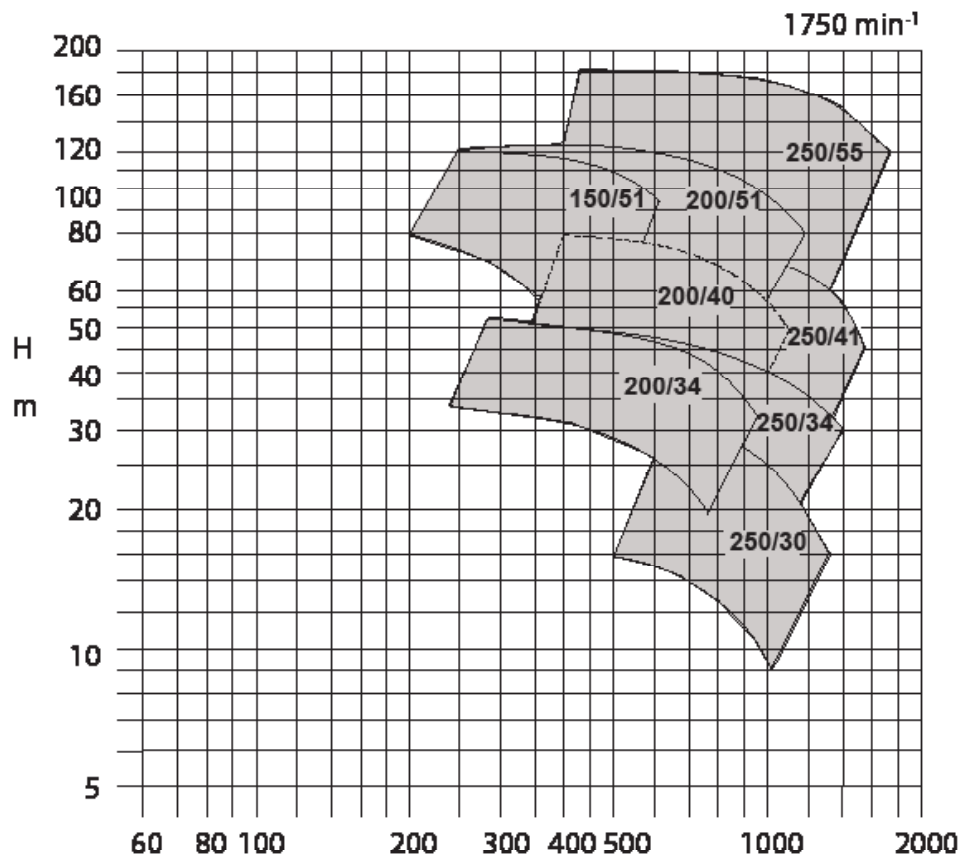
Volute	Bronze	Cast iron	Stainless steel
Impeller	Bronze	Bronze	Stainless steel
Casing Cover	Bronze	Cast iron	Stainless steel
Shaft	Stainless steel		

Performance Curves

50 Hz

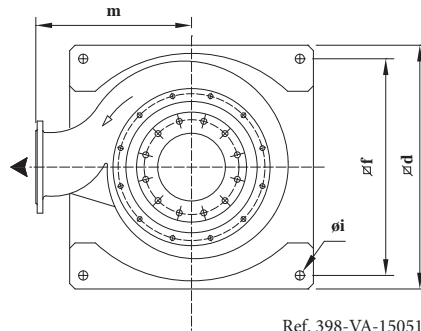
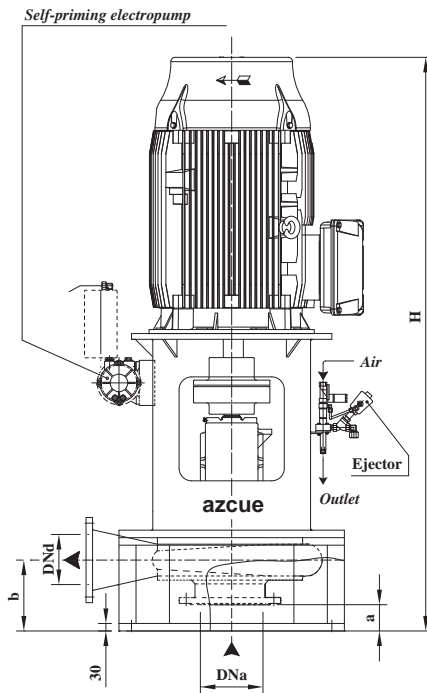


60 Hz



Dimensions

VA Series

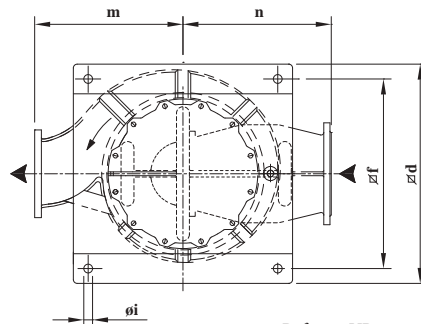
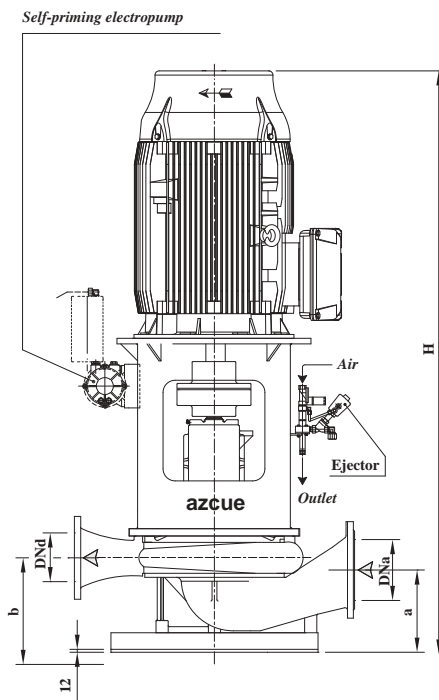


Ref. 398-VA-15051

Type	DNa	DNd	a	b	d	f	$\varnothing i$	m	H _{max}	kg
150/51	200	150	105	283	900	800	34	500	2550	2300
200/34	250	200	70	283	850	750	34	475	2500	2100
200/40	250	200	65	283	900	800	34	525	2600	2300
200/51	250	200 Pn 16	105	283	900	800	34	575	2600	2400
250/34	300	250	100	345	900	800	34	525	2650	2600
250/41	300	250	100	280	900	800	34	600	2950	2750
250/55	350 Pn 16	200 Pn 25	100	345	1000	900	34	580	3450	3500

Subject to alterations

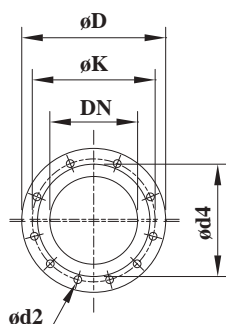
VB Series



Ref. 394-VB-15051

Type	DNa	DNd	a	b	d	f	$\varnothing i$	m	n	H _{max}	kg
150/51	200	150	335	435	850	735	34	500	550	2700	2350
200/34	250	200	338	438	750	635	34	475	575	2650	2050
200/40	250	200	388	488	750	635	34	525	575	2750	2200
200/51	250	200 Pn 16	338	438	850	735	34	575	575	2750	2350
250/34	300	250	450	550	850	735	34	525	580	2800	2550
250/41	300	250	400	550	1000	885	34	600	650	3100	2700
250/55	350 Pn 16	250 Pn 25	410	610	1000	885	34	580	650	3400	3400

Subject to alterations



Dna DNd	EN1092, Pn10				Pn16	Pn25	Pn16
	150	200	250	300	200	250	350
d ₄	212	268	320	370	-	-	-
K	240	295	350	400	295	370	470
D	285	340	395	445	340	425	520
N°	8	8	12	12	12	12	16
d ₂	22	22	22	22	22	30	27

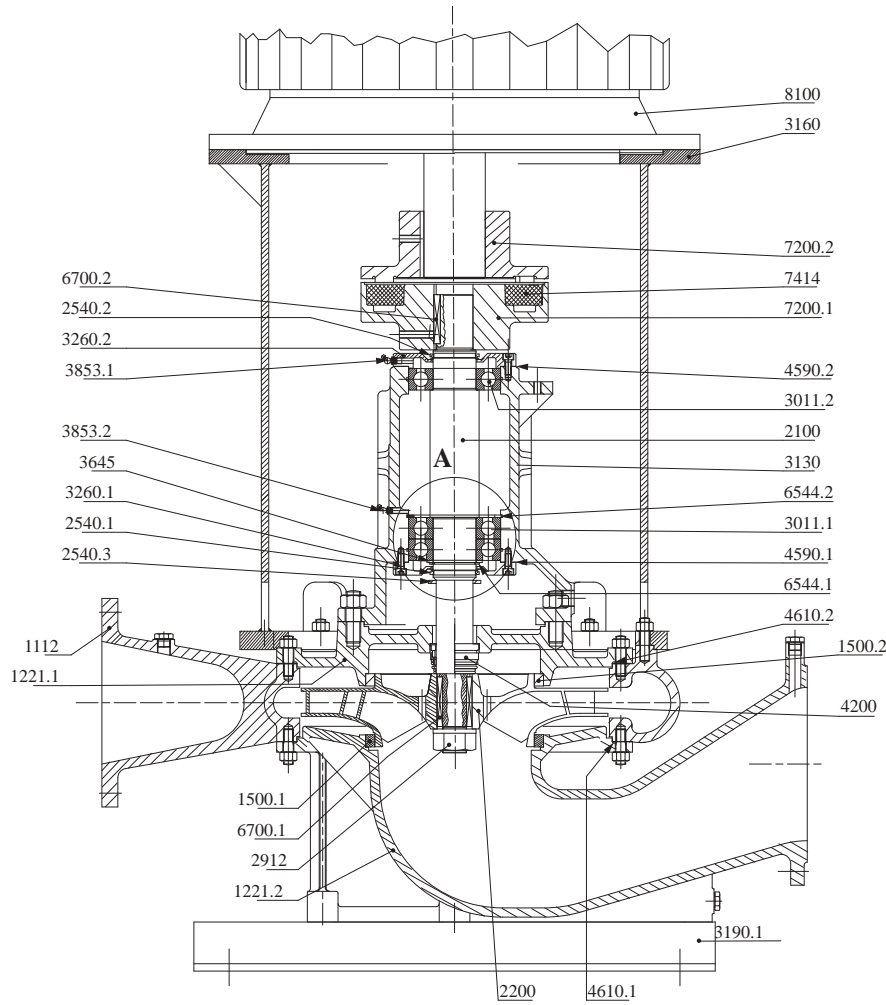
Subject to alterations

Interchangeability

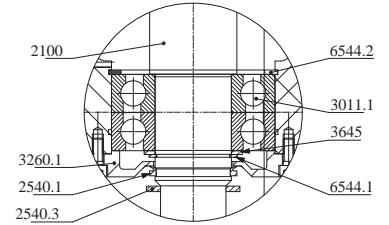
Description		Volute casing	Casing cover	Shaft	Impeller	Ball bearings	Mechanical seal	Wear ring	Wear ring	O-Ring	Impellernut
Ref.		1112	1221.2	2100	2200	3011.1-2	4200	1500.1	1500.2	4610.1-2	2912
PUMPTYPE	150/51	1	1	1	1	1	1	1	1	1	1
	200/34	2	2	1	2	1	1	2	2	2	1
	200/40	3	3	1	3	1	1	2	2	3	1
	200/51	4	4	1	4	1	1	2	2	1	1
	250/34	5	5	1	5	1	1	3	4	2	1
	250/41	6	6	1	6	1	1	5	6	3	1
	250/55	7	7	2	7	2	2	7	7	4	2

Sectional Drawing

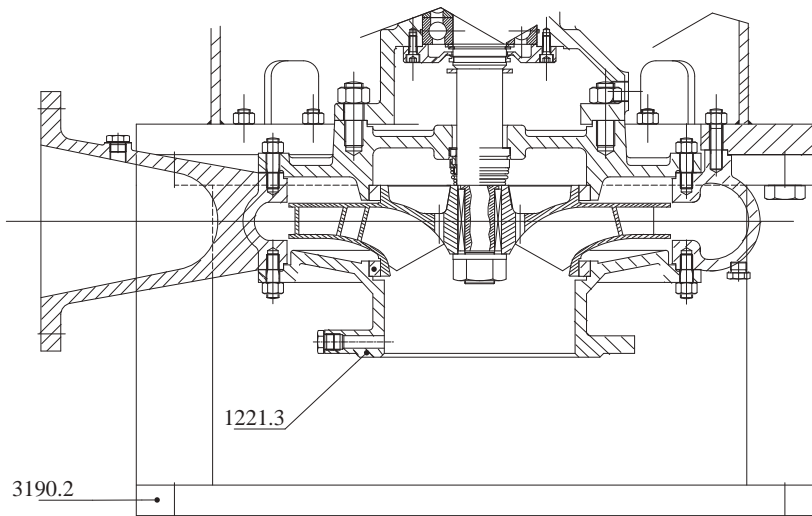
VB Series



Detail A



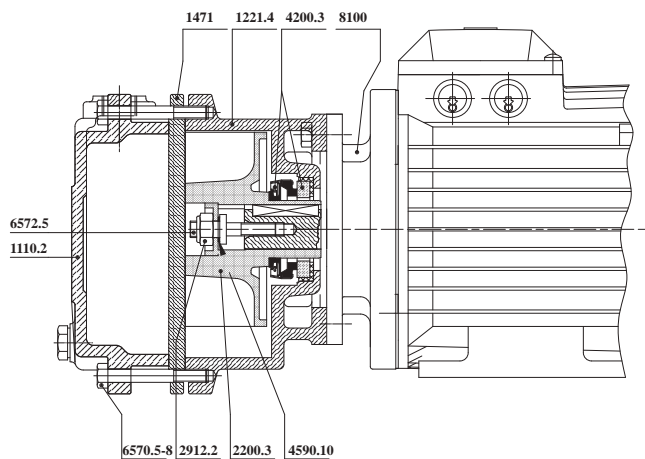
VA Series



Sectional Drawing

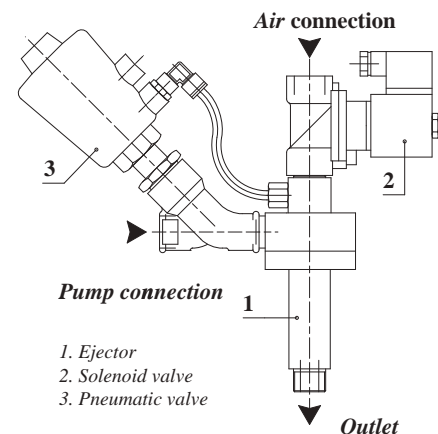
Description	Ref.
Pump casing	1110.2
Volute casing	1112
Casing cover	1221.1
Casing cover	1221.2
Casing cover	1221.3
Casing cover	1221.4
Interstage plate	1471
Casing wear ring	1500.1
Casing wear ring	1500.2
Shaft	2100
Impeller	2200.1
Impeller	2200.3
Thrower	2540.1-2
Thrower	2540.3
Impeller nut	2912.1
Impeller nut	2912.2
Radial ball bearing	3011.1
Radial ball bearing	3011.2
Bearing bracket	3130
Motor stool	3160
Foot	3190.1
Foot	3190.2
Bearing cover	3260.1-2
Disc spacer	3645
Grease nipple	3853.1-2
Mechanical seal	4200
Mechanical seal	4200-3
Gasket	4590.1-2
Gasket	4590.10
O-ring	4610.1-2
Circlip	6544.1
Circlip	6544.1-2
Screw	6570.5-8
Stud	6572.5
Coupling half	7200.1
Coupling half	7200.2
Coupling bush	7414
Motor	8100

Independent Priming Pump



N. VAC4-344-M

Priming Ejector



N. EJE-126-M