

Serie
Series

VSS

BOMBAS CENTRIFUGAS VERTICALES SEMISUMERGIDAS

CENTRIFUGAL VERTICAL SEMISUBMERSED PUMP

POMPE CENTRIFUGE VERTICALE SEMISUMERSIBLE



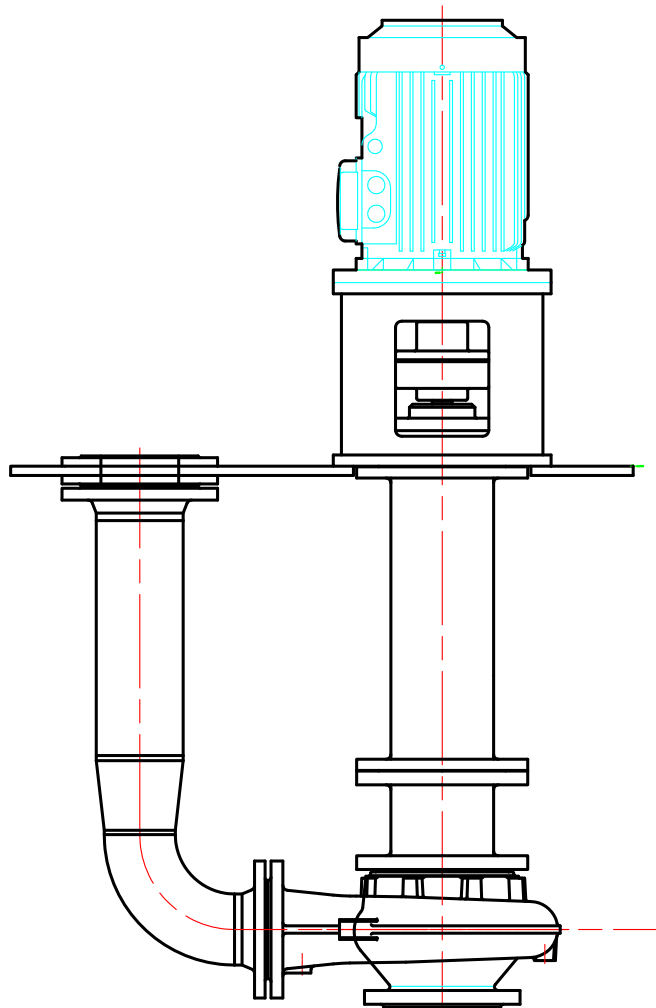
pumps

pumpen

azcue

bombas

pompes





pumps
bombas

pumpen
pompes

azcue

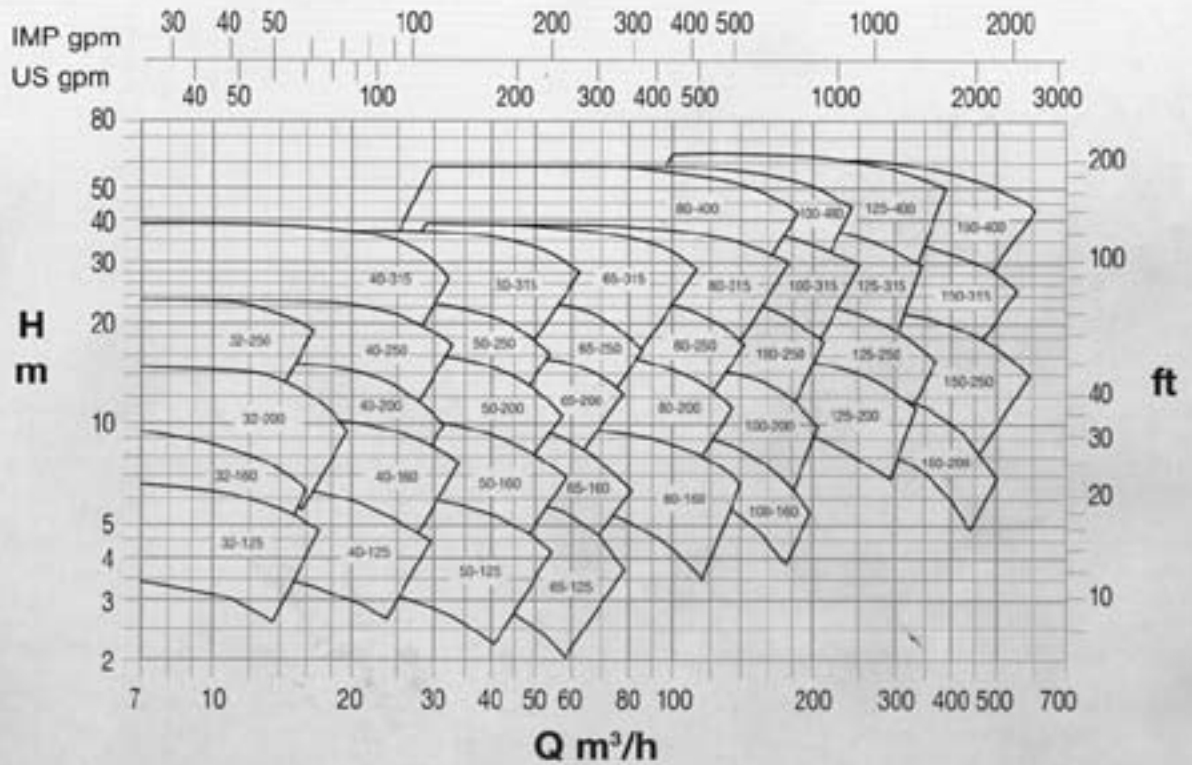
Serie Series Series AN, MN, VSS 50 Hz

DIAGRAMAS DE CARACTERISTICAS

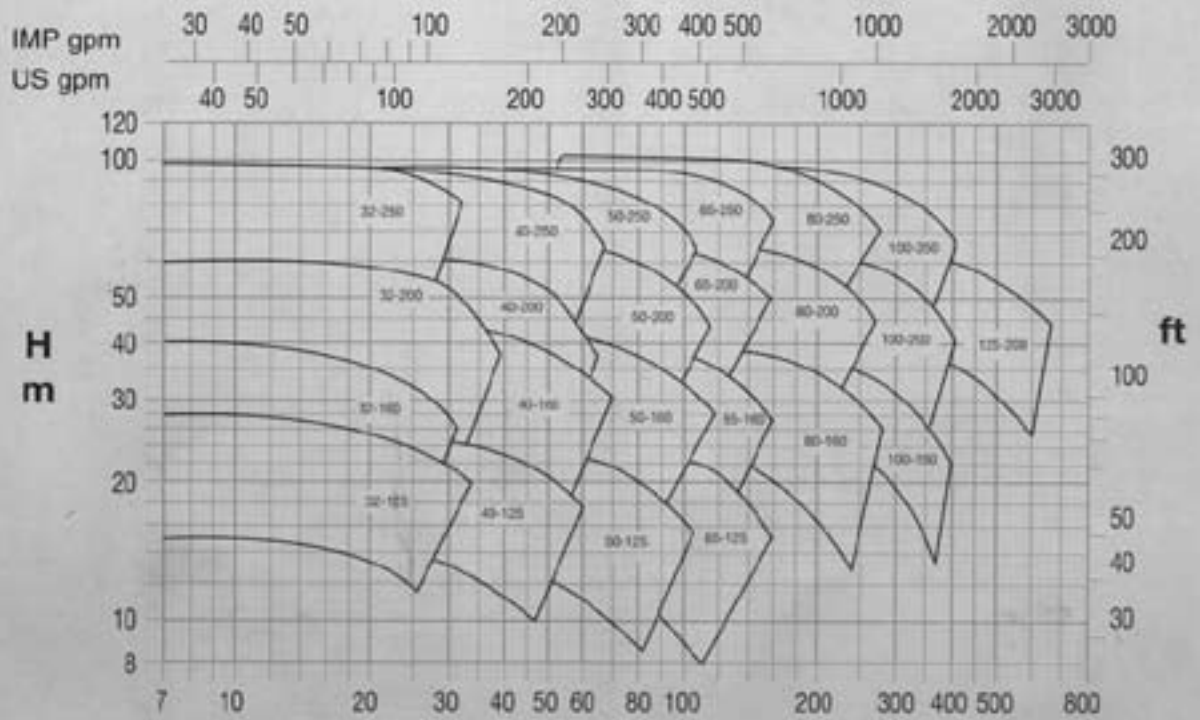
PERFORMANCE CURVES

DIAGRAMMES DE CARACTERISTIQUES

1.450 min⁻¹



2.900 min⁻¹





pumps
bombas

azcue

pumpen
pommes

Serie
Series
Series

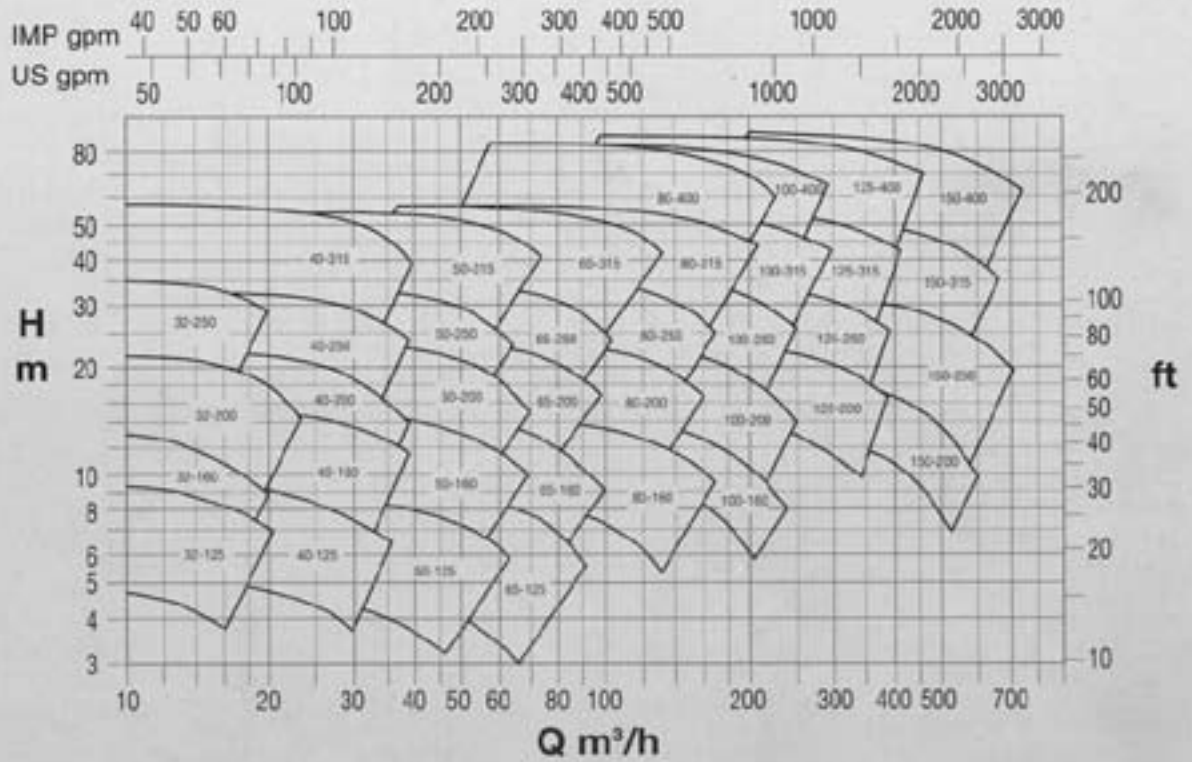
AN, MN, VSS 60 Hz

DIAGRAMAS DE CARACTERISTICAS

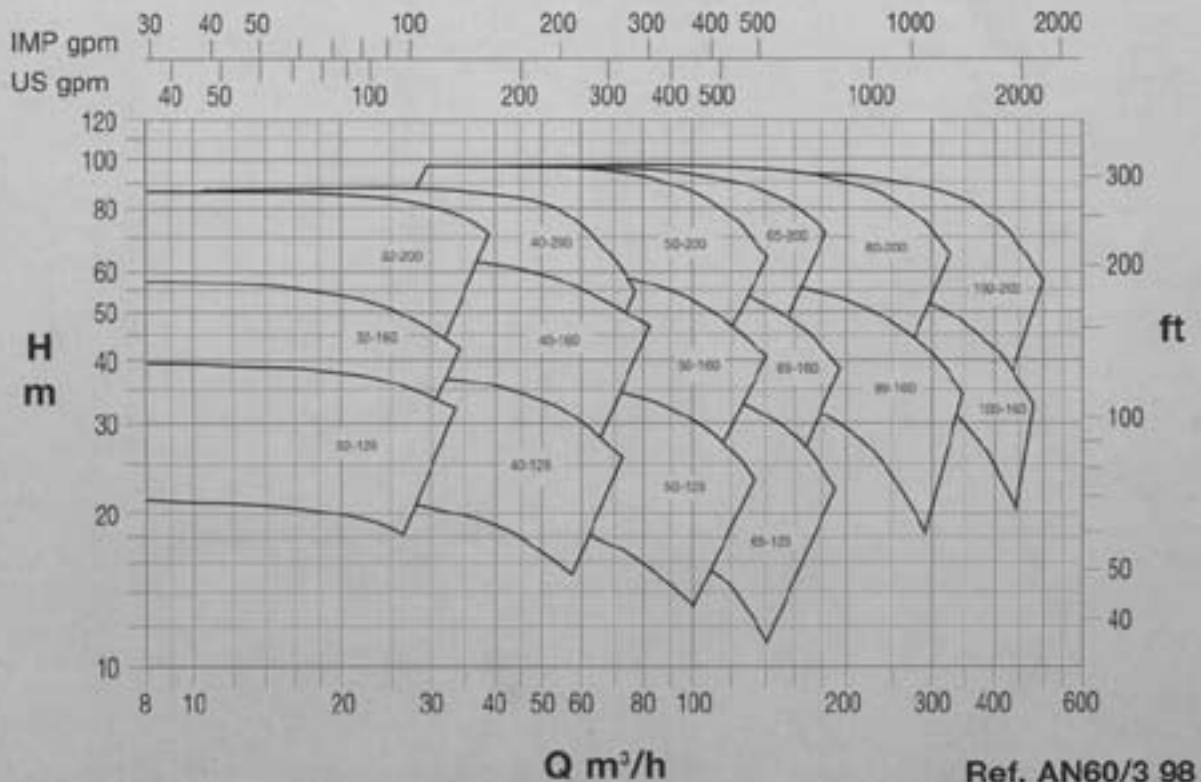
PERFORMANCE CURVES

DIAGRAMMES DE CARACTERISTIQUES

1.750 min⁻¹



3.500 min⁻¹

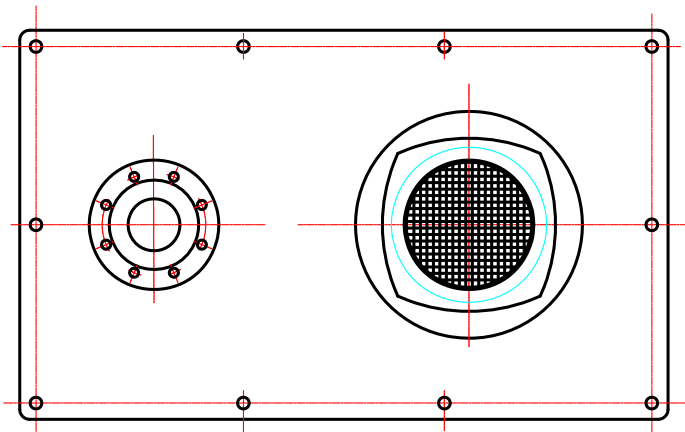
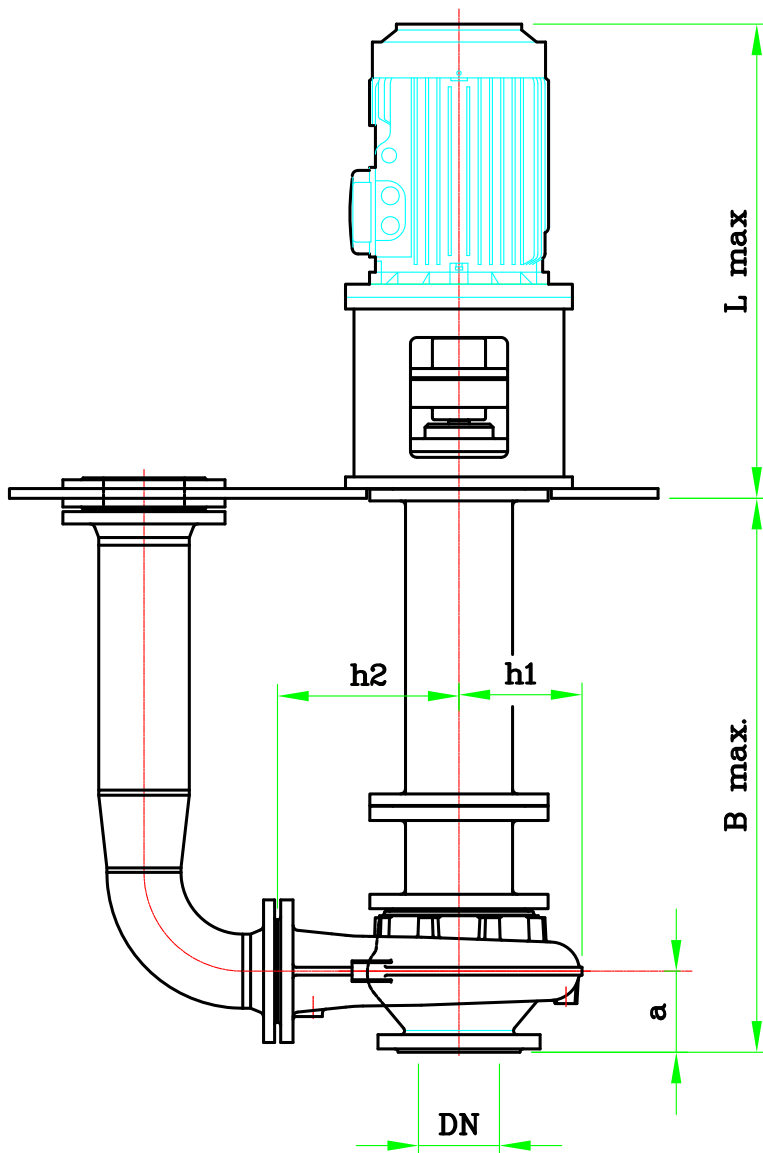




azcue

Serie VSS Series

Ref. VSS-965



Tipo / Type	DNa	a	h1	h2	B max.	L max.
32-160	50	80	113	160	1754	620
32-200	50	80	135	180	1754	800
32-250	50	100	173	225	1774	800
40-125	65	80	105	140	1754	620
40-160	65	80	124	160	1754	800
40-200	65	100	145	180	1774	830
40-250	65	100	170	225	1774	935
40-315	65	125	197	250	1878	810
50-125	65	100	118	160	1774	800
50-160	65	100	138	180	1774	830
50-200	65	100	154	200	1774	935
50-250	65	100	176	225	1774	1000
50-315	65	125	207	280	1903	810
65-125	80	100	131	180	1774	800
65/160	80	100	145	200	1774	830
65/200	80	100	164	225	1774	935
65/250	80	100	189	250	315	1010
65/315	80	125	218	280	1903	810
80/160	100	125	154	225	1774	935
80/200	100	125	171	250	1903	1230
80/250	100	125	196	280	1903	1230
80/315	100	125	230	315	1903	1010
100/160	125	125	197	280	1903	1010
100/200	125	125	191	280	1903	1230
100/250	125	140	204	280	1918	1230
100/315	125	140	242	315	1918	1010
125/200	150	140	211	315	1918	1230
125/250	150	140	248	355	1918	1230
150/200	150	160	280	400	1938	1230
150/250	150	160	262	400	1938	1230